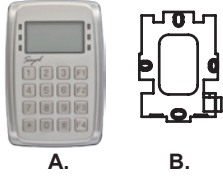
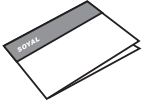
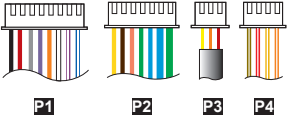


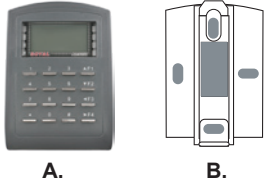
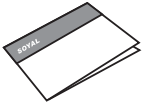
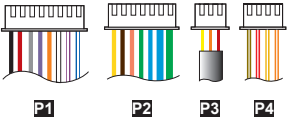




Contents

AR-327H [Metal Case]

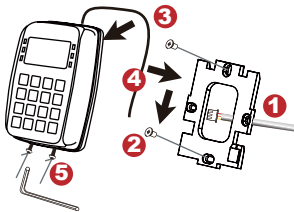
- 1 Products

- 2 User Guide

- 3 Terminal Cables

- 4 Tools

- 5 Water proof Strip


AR-727H

- 1 Products

- 2 User Guide

- 3 Terminal Cables

- 4 Tools

- 5 Water proof Strip


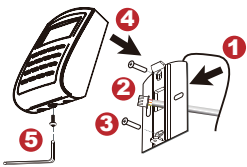
Installation

AR-327H



- Pull the cables from the square hole of the mounting plate.
- Use a screwdriver to screw the mounting plate onto the wall.
- Attach the water proof strip to the body, then connect the terminal cables to the body and attach the body to the mounting plate.
- Use the Allen key and screws (accessories supplied) to assemble the body onto the mounting plate.
- Turn on the power, the LED will light and hear the beep sound, you will see "Ready" on LCD board.

AR-727H



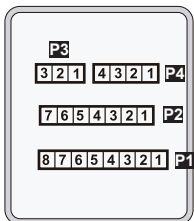
- Attach the water proof strip to the mounting plate.
- Pull the cables from the square hole of the mounting plate.
- Use a screwdriver to screw the base onto the wall.
- Connect the terminal cables to the body and attach the body to the mounting plate.
- Assemble the covers with the Allen key and screws (accessories supplied).
- Turn on the power, the LED will light and hear the beep sound, you will see "Ready" on LCD board.

Notice

- 1. Tubing:** The communication wires and power line should NOT be bound in the same conduit or tubing.
- 2. Wire selection:** Use AWG 22-24 Shielded Twist Pair it could avoid star wiring.
- 3. Power supply:** Don't equip reader and lock with the same power supply. The power for reader may be unstable when the lock is activating, that may make the reader malfunction.
The standard installation: Door relay and lock use the same power supply, and reader use independent power supply.

Connector Table

AR-327H



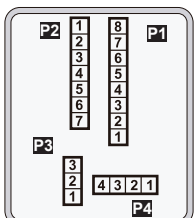
Cable: P1

Wire Application	Pin	Color	Description
Door Relay	1	Blue White	(N.O.)DC24V1Amp
	2	Purple White	(N.C.)DC24V1Amp
Common-COM-Point	3	White	(COM)DC24V1Amp
Door Sensor	4	Orange	Negative Trigger Input
Exit Switch	5	Purple	Negative Trigger Input
Alarm Relay	6	Gray	N.O./N.C. Options (by jumper)
Power	7	Thick Red	DC 12V
	8	Thick Black	DC 0V

Cable: P2

Wire Application	Pin	Color	Description
Networking	1	Thick Green	RS-485 (B-)
	2	Thick Blue	RS-485 (A+)
Wiegand	3	Blue	WG DAT: 1 Input ABA Clock Input
	4	Green	WG DAT: 0 Input ABA Data Input
Buzzer	5	Pink	Buzzer Output 5V/100mA, MAX
LED	6	Brown	LED Green Output 5V/20mA, MAX
	7	Yellow	LED Red Output 5V/20mA, MAX

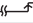
AR-727H



Cable: P3

Wire Application	Pin	Color	Description
Tamper Switch	1	Red	N.C.
	2	Orange	COM
	3	Yellow	N.O.

Cable: P4

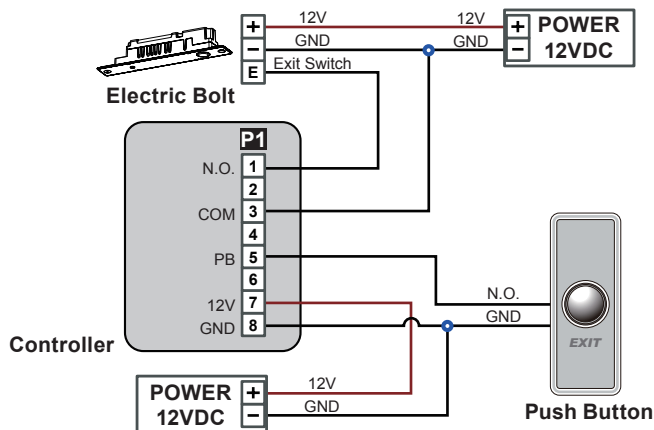
Wire Application	Pin	Color	Description
Arming Setting Input	1	Orange White	ON  OFF Latch type
Serial Port	2	Yellow White	Serial output (Transistor open collector) (4800, N,8,1)
Arming Status indication (light)	3	Red White	Arming output (Active low)
Card existing indication	4	Brown White	Output LOW when card present

LCD Access Controller

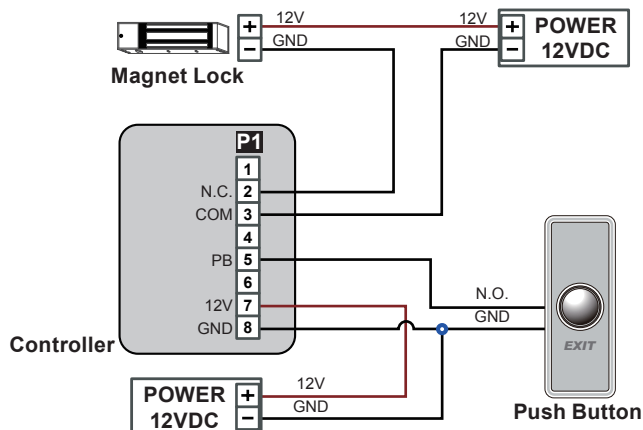
Metal Case / Standard

Wiring Diagram

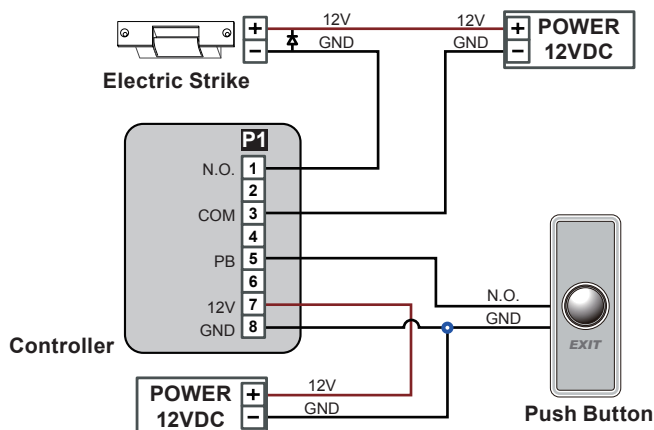
Connect to Electric Bolt



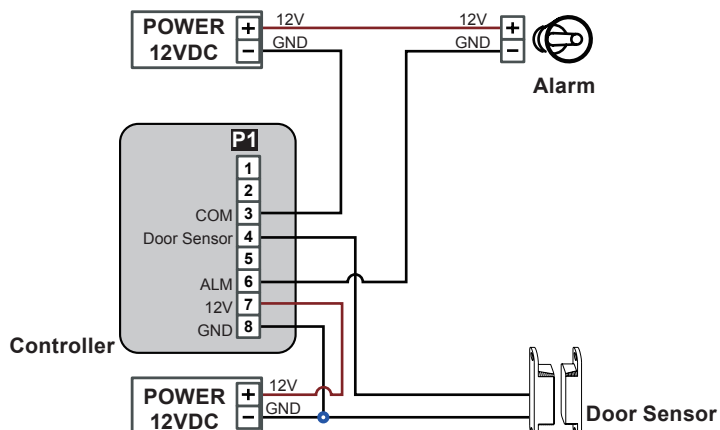
Connect to Magnet Lock



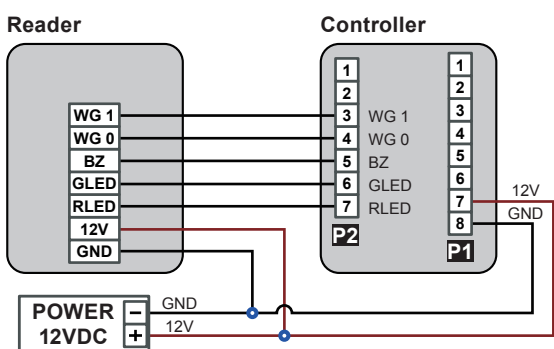
Connect to Electric Strike



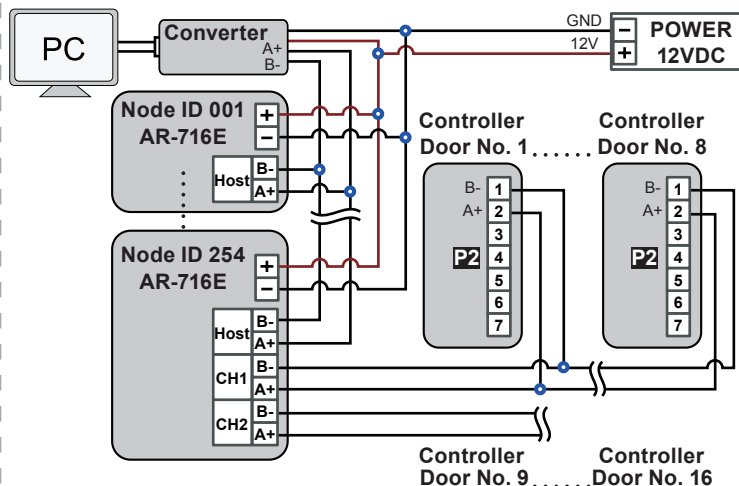
Connect to Door Sensor



Connect to Reader

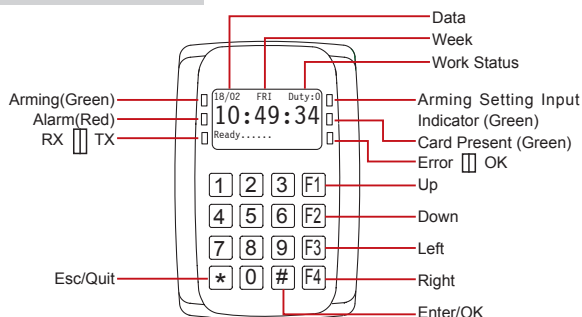


Connect to Networking

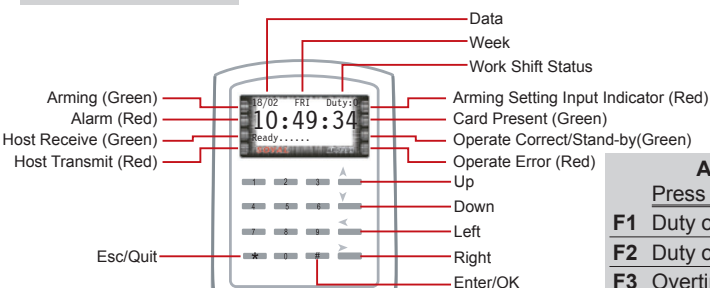


Front Panel & Indicator

AR-327H



AR-727H



Attendance

	Press 1 time	Press 2 time
F1	Duty on	Break out
F2	Duty off	Break RTN
F3	Overtime on	Out
F4	Overtime off	Return

Adding and Deleting Tag

Mode4/Mode8

• Adding Tag by Tag ID

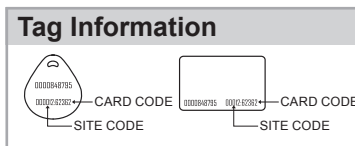
Access programming mode → 1 Add/Delete → 1 Add Card > ID → Input 5-digit user address → Input Site Code → Input Card Code

• Adding Tag RF Induction

Access programming mode → 1 Add/Delete → 2 Add > RF Learn → Input 5-digit user address

→ Input Tag Units(pcs) → Close Tag into RF Area to induct.

※ For a batch of **Sequential tags**, present the tag of the **lowest number** to the controller; for a batch of non-sequential tags, present all the tags one by one to the controller.



• Deleteing User Address

Access programming mode → 1 Add/Delete → 5 Delete > Address → Input Start address → Input End address

• Setting up the password

Access programming mode → 2 User Setting → 1 Password → Input 5-digit user address → Key in 4-digit PIN

• Setting up the access mode

Access programming mode → 2 User Setting → 2 Access Mode → Input 5-digit user address → 1: Card; 2: or PIN; 3: & PIN; 4: Pause;

Mode6

※In Mode6, user address is card code. Only suspend or recover to add or delete the tags.

• Adding Tag

Access programming mode → 1 Add/Delete → 7 Recover > Address → Input Start address → Input End address

※ For a batch of **Sequential tags**, present the tag of the **lowest number** to the controller; for a batch of non-sequential tags, present all the tags one by one to the controller.

• Deleting Tag

Access programming mode → 1 Add/Delete → 3 Suspend > Address → Input Start address → Input End address

※In this mode, the access controlled by the Arming PWD and Duress Code.

• Card Only

Access programming mode → 3 Parameters[1] → 8 Arming PWD → Input: 0000

• Card and PIN

Access programming mode → 3 Parameters[1] → 8 Arming PWD → Key in 4-digit PIN [0001~9999, default value: 1234]

• Card or PIN

Access programming mode → 4 Parameters[2] → 8 Duress Code → Key in 4-digit PIN [0001~9999, default value: 4321]

Operation

A. Keyboard Lock/ Unlock

• Lock/ Unlock

Push both * and # buttons at same time to lock the keyboard. Push both * and # at same time again to unlock the keyboard.

B. Enter/Exit Programming Mode

• Entering

Input *123456# or *PPPPPP# (PPPPPP= modified Master Code; Default= 123456)

[e.g.] If the Master Code= 876112, input *876112# → Programming mode accessed

※ It leaves the programming mode 30 seconds without pushing any button.

• Exiting

Press * repeatedly → 6 Quit

• Changing the Master Code

Access programming mode → 5 Tools → 2 Master Code → Input the 6-digit new master code → Succeeded

C. Initial setup

• Restoring Factory Settings

Access programming mode → 4 Parameters[2] → 9 Factory Reset → select [1: Yes] → Succeeded...

• Changing the Language

Access programming mode → 5 Tools → 1 Language → 1 EN → Succeeded...

• Review the old events

Access programming mode → 5 Tools → 0 View Events → the display will show the history events.

• Changing the Node ID of Reader

Access programming mode → 3 Parameters[1] → 1 Node ID → Input New Node ID:1~254(default value:

001) → Input: 1~4 to Show Card ID format? (1.No, 2.WG, 3.ABA, 4.HEX) → Input Door number H:

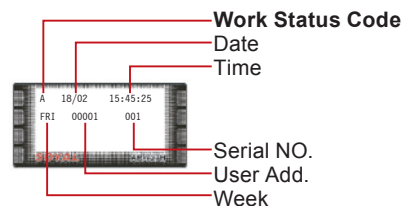
1~254(door No. of its controllen) → Input Door number L: 1~254(door No. of reader) → Succeeded

[e.g.] AR-327H is the 8th slave reader under the 16th AR-716E.

Door-H input 1 6 (door NO. of controller); Door-L input 8 (door No. of the reader).

[e.g.] AR-727H is a controller and its Node ID is 8.

Door-H input 8 ; Door-L input 8



Work Status Code:

A: Duty On	01: PWD/PIN Error
B: Duty Off	03: Invalid Card
C: Overtime On	04: Time-zone Error
D: Overtime Off	11: Normal Access
E: Break Out	16: Egress (Request to exit)
F: Break RTN	17: Alarm
G: Out	31: Anti-pass-back Error
H: Return	

D. Setting up the control mode (M4/M6/M8)

Access programming mode → 5 Tools → 9 Control Mode → 1:M4, 2:M6, 3:M8(refer to below chart) → Succeeded

Mode	Networking/ Stand-Alone	User Capacity	Access Mode	Auto-show Duty time	Event log Capacity	120 Holidays	Anti force	Time Zone	Lift Control	Anti-pass- back
M4	Networking/ Stand-Alone	1,024 (0~1,023)	1.Card only 2.Card and PIN (4-digit PIN) 3.Card or User address (5-digit) + Individual PIN (4-digit individual PIN)	Yes	1,200	Yes	Yes	11	32	Yes
M6	Stand-Alone	65,535 (1~65,535)	1.Card only 2.Card and PIN (4-digit public PIN= Arming PWD) 3.Card or PIN (4-digit public PIN= Duress code)	No	No	No	No	No	No	No
M8	Networking/ Stand-Alone	1,024 (0~1,023)	1.Card only 2.Card and PIN (4-digit individual PIN) 3.Card or PIN (4-digit individual PIN)	Yes	1,200	Yes	Yes	11	32	Yes

※ The users up to 65,535 in **Mode 6**, since it reads **CARD CODE**(5 digits) only, unlike that Mode4/Mode8 read **SITE CODE** and **CARD CODE**(10 digits).

E. Anti-pass-back(M4/M8 only)

Usually, anti-pass-back is commonly applied to parking lots in order to prevent from multi-entry with one card, requires to set bith card and device as the flowings:

• Device set-up

Access programming mode → 4 Parameters[2] → 7 Anti-pass-back → 1: Yes; 2: No;(select one) → 1: In; 2: Out;(select one)

• Card set-up

Access programming mode → 1 Add/Delete → 9 Antipass Group → Input Start address → Input End address → 1: Yes; 2: No;(select one)

F. Lift control

Connect with **AR-401RO16B** to control which floors the user will be able to access.

• Setting Lift control

Access programming mode → 5 Tools → 4 Terminal Port → 1: AR-401RO16

• Single floor set-up

Access programming mode → 2 User Setting → 4 Single Floor → Input 5-digit user address → Input single floor number: 1~32

• Multi floors set-up

Access programming mode → 2 User Setting → 5 Single Floor → Input 5-digit user address → Select range: 1 or 2 → Input 16 digits multi floors number [0:disable, 1: enable]

[e.g.] Set NO. 114, to access the 8th and the 16th floors.

Access programming mode → 2 User Setting → 5 Single Floor → 114 # → 1 # → 0000000100000001 #

Set	Floor															
	1	2	3	4	5	6	7	8	9	10	11	12	13	14	15	16
1	0	0	0	0	0	0	0	1	0	0	0	0	0	0	0	1
2	0	0	0	0	0	0	0	0	0	0	0	0	0	0	0	0

G. Setting Up the Arming

• Conditions:

- Arming is enabled
- Alarm system connected

• Application:

- Door open over time:** Door is open longer than door relay time plus door close time.
- Force open** (Opened without a valid user card): Access by force or illegal procedure.
- Door position abnormal:** When power is off and turn back on, reader on arming bfore power off.

• Enable/Disable Arming status:

Standby Mode		
Card only	Card or Passcode	Card and Passcode
After door open	Door is not open	
Induct valid card → Input 4 digit arming code → #	* → Input 4 digit arming code → Induct valid card	Input 5 digit user address → Input 4 digit pass code → # → Input 4 digits arming code → #
Enter Program Mode		
Enable: Access programming mode → 7 Quit & Arming		Disable: Access programming mode → 6 Quit

Manu Tree

1. Add/ Delete

- Add Card > ID
- Add > RF Learn
- Suspend > Address
- Suspend > ID #
- Delete > Address
- Delete > ID #
- Recover > Address
- Recover > ID #
- Antipass Group

2. User Settings

- Password
- Access Mode
- Extend Options
- Single Floor
- Multi Floor

3. Parameters[1]

- Node ID
- Auto open Zone
- Door Relay Tm
- Door Close Tm
- Alarm Relay Tm
- Alarm Delay Tm
- Arming Delay Tm
- Arming PWD
- Arming Pulse
- Auto Alarm Tm

4. Parameters[2]

- Auto Relock
- Egress(R.T.E)
- Attendance
- Master Node
- Force Open
- Close & Stop
- Anti-pass-back
- Duress Code
- Factory Reset
- Key (#) is Bell

5. Tools

- Language
- Master Code
- Master Range
- Terminal Port
- AR401RO16 Node
- Open Time Zone
- Information
- Clock Setting
- Control Mode
- View Events

6. Quit

7. Quit & Arming