

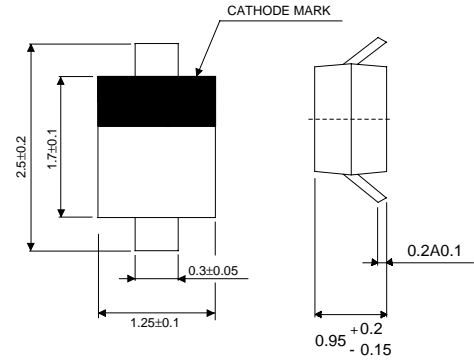
RoHS Compliant Product

A suffix of "-C" specifies halogen & lead-free

SOD-323

FEATURES

- * Fast Switching
- * Low Turn-on Voltage
- * Designed For Surface Mount Application
- * PN Junction Guard For Transient And ESD Protection
- * Plastic Material -- UL Recognition Flammability Classification 94V-0



Dimensions in millimeters

MARKING: K73

Maximum Ratings and Electrical Characteristics, Single Diode @T_A=25°C

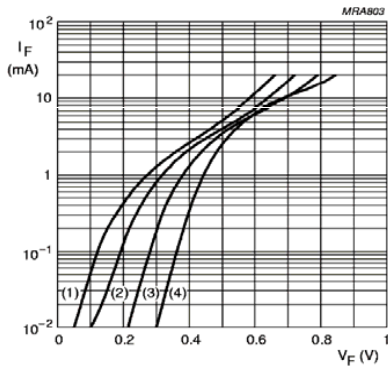
Parameter	Symbol	Limits	Unit
Peak Repetitive Peak reverse voltage	V _{RRM}	70	V
Working Peak Reverse Voltage	V _{RWM}		
DC Blocking Voltage	V _R		
Forward Continuous Current	I _F	70	mA
Peak forward surge current @<1.0s	I _{FSM}	100	mA
Power Dissipation	P _d	200	mW
Thermal Resistance Junction to Ambient	R _{θJA}	625	K/W
Storage temperature	T _{STG}	-55 to +150	°C

Electrical Ratings @T_A=25°C

Parameter	Symbol	Min.	Typ.	Max.	Unit	Conditions
Forward voltage	V _{F1}			0.41	V	I _F =1mA
	V _{F2}			1	V	I _F =15mA
Reverse current	I _R			100	nA	V _R =50V
Capacitance between terminals	C _T			2	pF	V _R =0V, f=1MHz
Reverse Recovery Time	t _{rr}			5	ns	I _F =I _R =10mA I _{rr} =0.1X I _R , R _L =100Ω

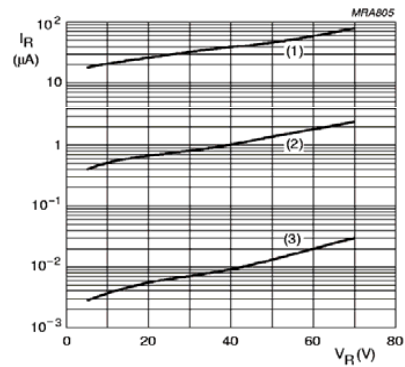
Typical Characteristics

BAS70WS



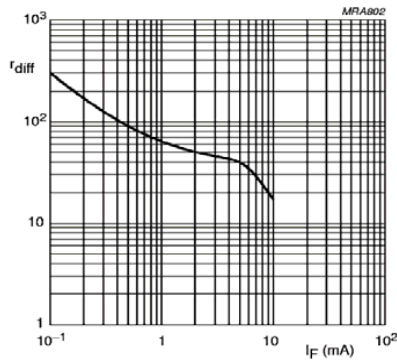
- (1) $T_{amb} = 125\text{ }^{\circ}\text{C}$.
- (2) $T_{amb} = 85\text{ }^{\circ}\text{C}$.
- (3) $T_{amb} = 25\text{ }^{\circ}\text{C}$.
- (4) $T_{amb} = -40\text{ }^{\circ}\text{C}$.

Forward current as a function of forward voltage; typical values.



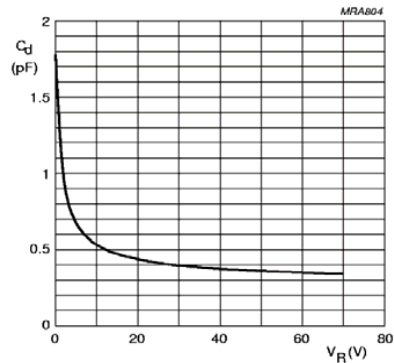
- (1) $T_{amb} = 125\text{ }^{\circ}\text{C}$.
- (2) $T_{amb} = 85\text{ }^{\circ}\text{C}$.
- (3) $T_{amb} = 25\text{ }^{\circ}\text{C}$.

Reverse current as a function of reverse voltage; typical values.



$f = 10\text{ kHz}$.

Differential forward resistance as a function of forward current; typical values.



$f = 1\text{ MHz}; T_{amb} = 25\text{ }^{\circ}\text{C}$.

Diode capacitance as a function of reverse voltage; typical values.