




# E-MAX PVR




## PVR - DC VOLTAGE RELAYS



- High Reliability
- Millisecond Actuation
- Simple Installation
- Low Cost
- RoHS Compliant (Directive 2002/95/EC)
-  Recognized Models

Type PVR voltage-actuated relays are designed for indication alarm or annunciation in electric utility applications. They are used for data inputs to supervisory control/data acquisition and sequential event recorders. The relays contain a low power dc coil with circuitry to protect it from damage due to high voltage transients. High speed reed switch contacts operate in less than 3 milliseconds. The case is molded of glass-filled polycarbonate and is easily installed.

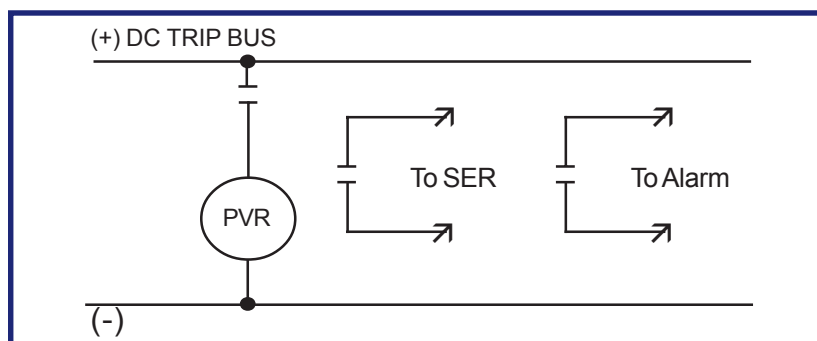
### PVR ORDER INFORMATION

Part No.	Coil Parameters				Relay Rating				Contact Rating Switching
	DC Voltage Maximum Nominal	Maximum Operate	Maximum Continuous	Resistance +10% Ohms	Time (Msecs) Including Bounce	Breakdown Voltage (Vdc)	Switch Form	UL Recognized	
780A301	129	90	152	13000	3.0	1000	2A		50 W 1.5 A max. 500 Vdc
780A302	48	30	56	3200	3.0	1000	2A		
780A303	24	15	28	1600	3.0	1000	2A		
780A304	129	90	152	13000	4.0	1000	1A		100 W 3.0 A max. 300 Vdc
780A307	129	90	152	13000	4.0	1000	C		
780A308	129	90	152	13000	0.75	750	2A		50 W 1.0 A max. 250 Vdc
780A311	250	180	280	29000	3.0	1000	2A		50 W 1.5 A max. 500 Vdc

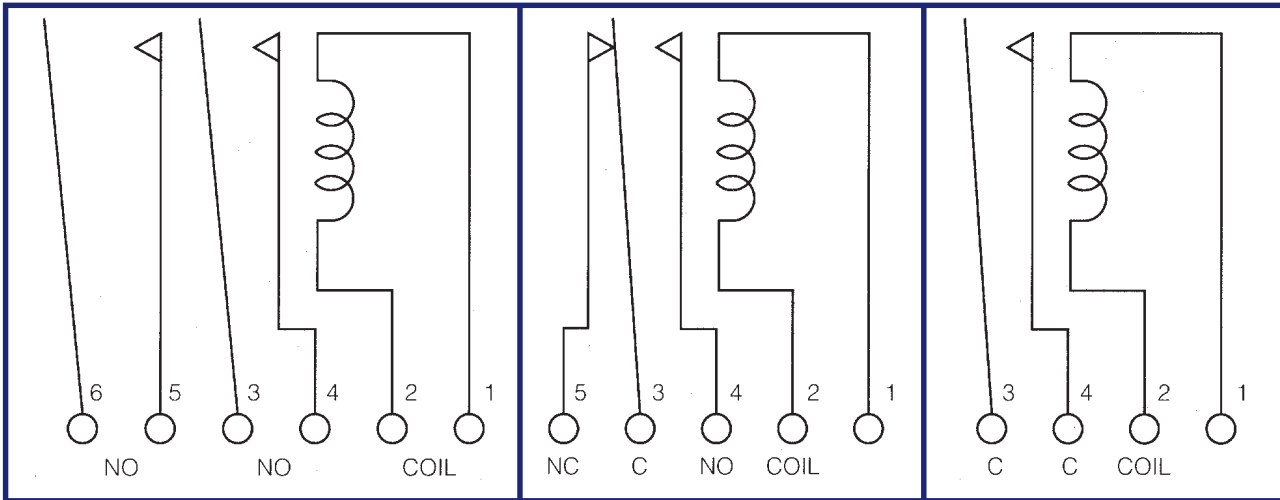
Operating Temperature: 0° to 50° Centigrade  
 Storage Temperature: -54° to 85° Centigrade  
 Altitude Range: 0 to 50,000 feet  
 Moisture Resistance: 95% Relative Humidity

Life Expectancy: 1 x 10<sup>6</sup> Operations Minimum  
 Weight: 12 oz maximum Form C, Form A  
 14 oz maximum 2 Form A  
 Cycling Rate: 60 cps maximum

### APPLICATION



**SCHEMATICS**



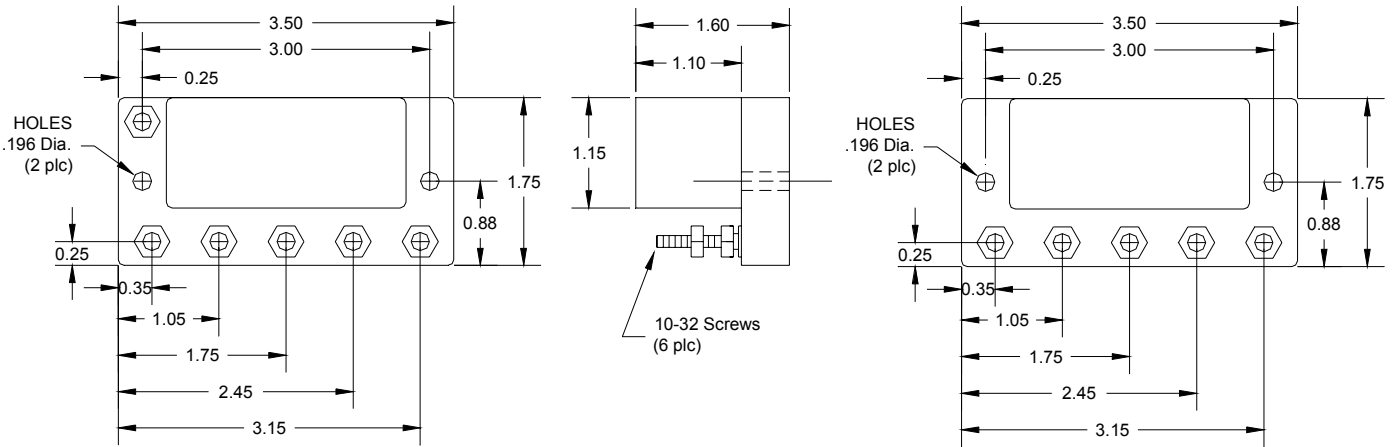
**2 Form A**

**Form C**

**Form A**

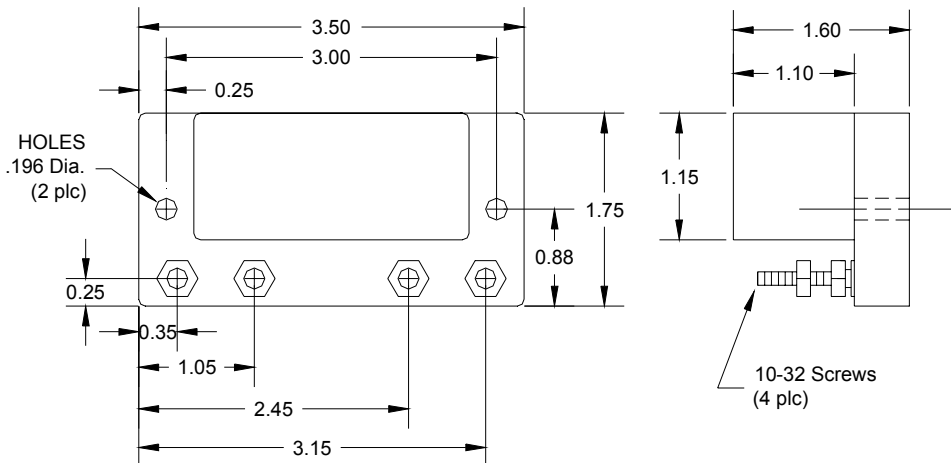
**PVR DIMENSIONS**

ALL DIMENSIONS IN INCHES



**2 Form A**

**Form C**



**Form A**