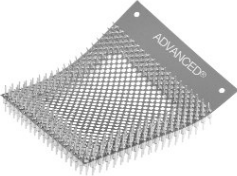
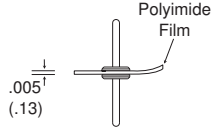
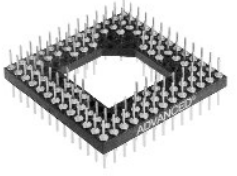
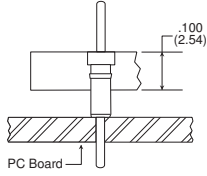


Pin Grid Array Adapters .100/(2.54mm) Standard Grid

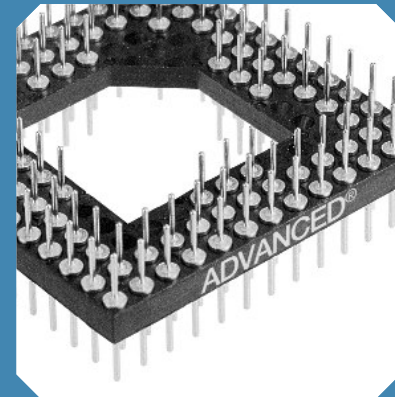


Table of Models

	<p>Description: Peel-A-Way® (KA) Material: Polyimide Film Index: -269°C to 400°C (-452°F to 752°F)</p>	
	<p>Description: Molded (RCA) Mat'l: High Temp. Liquid Crystal Polymer (LCP) Index: -40°C to 260°C (-40°F to 500°F)</p>	

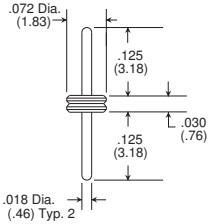
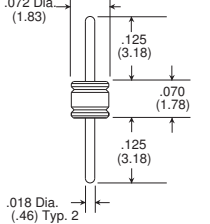
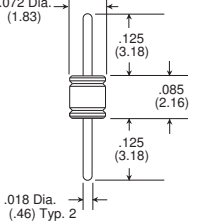
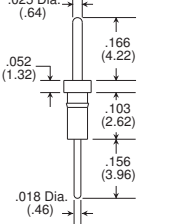
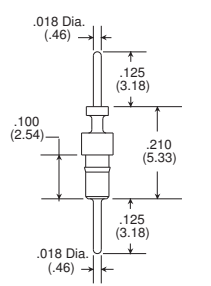
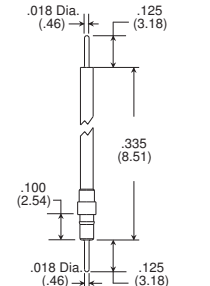
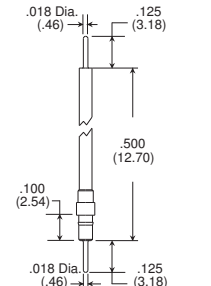
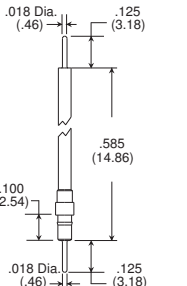
RCA replaces HCA.

PGA Adapters



Standard Quick-Turn Terminals

Additional standard and custom terminals available.
See Terminals section or consult factory.

<p>Type -79 Peel-A-Way® only</p> 	<p>Type -80 Peel-A-Way® only</p> 	<p>Type -81 Peel-A-Way® only</p> 	<p>Type -08 Molded only</p> 
<p>Type -68 Molded only</p> 	<p>Type -43 Molded only</p> 	<p>Type -185 Molded only</p> 	<p>Type -42 Molded only</p> 

Features:

- Screw-machined terminals for long-term durability.
- Mating sockets available.
- Custom designs available.

Specifications:

Terminals:

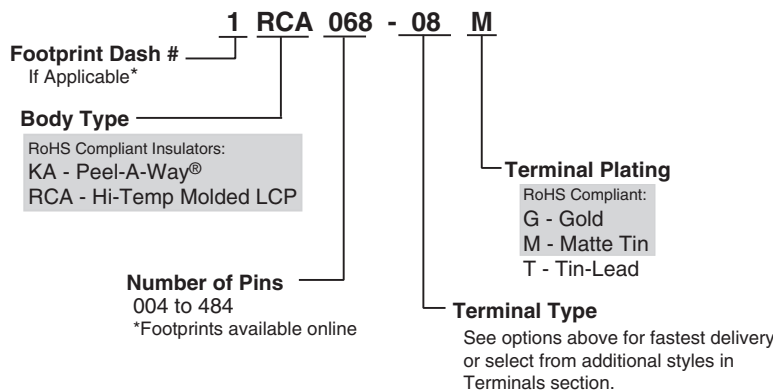
Brass - Copper Alloy
(C36000) ASTM-B-16

Plating:

- G - Gold over Nickel
- M - Matte Tin over Nickel
- T - Tin/Lead over Nickel

Gold per ASTM-B-488
Matte Tin per ASTM545-97
Tin/Lead per MIL-P-81728
Nickel per QQ-N-290

How To Order



Available Online:

- Hundreds of footprints
- Extraction Tools
- RoHS Qualification Test Report
- CAD Drawings

Note: Quick-Turn delivery is not available on products with Matte Tin plating.



5 Energy Way, West Warwick, RI 02893 USA
Tel: 800.424.9850 | 401.823.5200
Fax: 401.823.8723
info@advanced.com | www.advanced.com
Catalog 16 rev. Sept. 07

inch/(mm)

Products shown covered by patents issued and/or pending. Specifications subject to change without notice.