

PRELIMINARY DATA SHEET

**SDA 9488X PIP IV Basic  
SDA 9588X OCTOPUS  
Cost-effective  
Picture-In-Picture ICs**

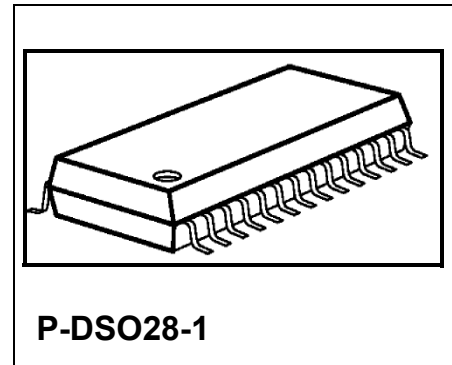
**Cost effective Picture-In-Picture (PIP) ICs**

**Version 1.3**

**CMOS**

**General Description**

SDA 9488X 'PIP IV Basic' and SDA 9588X 'OCTOPUS' belong to a new generation of cost-effective PiP processors that combine high-quality digital PIP signal processing, digital multistandard color decoding and AD/DA conversion on a single chip. Both devices are equipped with CVBS and Y/C input interfaces. In addition the SDA 9588X is also able to process YUV input signals for displaying high-quality video signals e.g. coming from a DVD source.



**Figure 0-1 Picture-In-Picture**

The integrated digital color decoder is able to decode all analog TV standards (PAL, NTSC and SECAM) and detects the standard automatically. Therefore the IC is suited for world-wide use.

A picture reduction from 1/9 to 1/81 of original size selectable in fine steps is possible. The transfer functions of the decimation filters are optimally matched to the selected picture size reduction and can furthermore be adjusted to the viewer's requirements by a selectable peaking. A maximum of 216 luminance and 2x54 chrominance pixels per line are stored in the memory.

Type	Package
SDA 9488X	P-DSO28-1
SDA 9588X	P-DSO28-1

1	<b>Features</b> .....	5
2	<b>Pin Configuration</b> .....	7
3	<b>Block Diagram</b> .....	9
4	<b>System Description</b> .....	10
4.1	Analog Frontend .....	10
4.1.1	Input Selection .....	10
4.1.2	AD-Conversion .....	10
4.1.3	Automatic Gain Control .....	11
4.1.4	Signal Magnitudes .....	11
4.2	Inset Synchronization .....	13
4.3	Chroma Decoding And Standard Search .....	13
4.4	Comb Filtering .....	15
4.5	Luminance Processing .....	15
4.6	Decimation .....	16
4.6.1	Single PIP Mode .....	16
4.6.2	Horizontal And Vertical Fine Positioning .....	19
4.6.3	Multi Display Mode .....	19
4.7	Display Control .....	20
4.7.1	Mixed Standard Applications And (S)VGA Support .....	23
4.7.2	Display standard .....	24
4.7.3	Picture Positioning .....	25
4.8	Output Signal Processing .....	26
4.8.1	Luminance Peaking .....	26
4.8.2	RGB Matrix .....	27
4.8.3	Framing And Colored Background .....	27
4.8.4	16:9 Inset Picture Support .....	28
4.8.5	Parent Clock Generation .....	29
4.8.6	Select Signal .....	30
4.9	DA-Conversion And RGB / YUV Switch .....	30
4.9.1	Contrast, Brightness and Peak Level Adjustment .....	32
4.9.2	Pedestal Level Adjustment .....	32
4.10	Data Slicer .....	33
4.10.1	Closed Caption .....	33
4.10.2	Widescreen Signalling (WSS) .....	34
4.10.3	Indication Of New Data .....	34
4.10.4	Violence Protection .....	35
5	<b>Application Examples</b> .....	36
6	<b>I2C Bus</b> .....	37
6.1	I2C Bus Address .....	37
6.2	I2C-Bus Format .....	37

6.3	I2C bus Command Table . . . . .	38
6.4	I2C Bus Command Description . . . . .	40
7	<b>Pin Description</b> . . . . .	68
8	<b>Absolute Maximum Ratings</b> . . . . .	71
9	<b>Recommended Operating Range</b> . . . . .	72
10	<b>Characteristics</b> . . . . .	76
11	<b>Diagrams</b> . . . . .	80
12	<b>Application Circuit</b> . . . . .	86

**1 Features**

- Single chip solution:
  - AD-conversion for CVBS or Y/C or YUV<sup>1)</sup>, multistandard color decoding, PLL for synchronization of inset channel, decimation filtering, embedded memory, RGB-matrix, DA-conversion, RGB/YUV switch, data-slicer and clock generation integrated on chip
- Analog inputs:
  - 3x CVBS or 1x CVBS and 1x Y/C or 1xYUV (SDA 9588X) alternatively
  - Clamping of each input
  - All ADCs with 8 bit amplitude resolution
  - Automatic Gain Control (AGC) for Y and CVBS
- Inset Synchronization:
  - Multiple time constants for reliable synchronization
  - Automatic recognition of 625 lines / 525 lines standard
- Color Decoder:
  - PAL-B/G, PAL-M, PAL-N(Argentina), PAL60, NTSC-M, NTSC4.4 and SECAM
  - Adjustable color saturation
  - Hue control for NTSC
  - Automatic Chroma Control (-24 dB ... +6 dB)
  - Automatic recognition of chroma standards: different search strategies selectable
  - Single crystal for all standards
  - IF-characteristic compensation filter
- Decimation:
  - PIP sizes between 1/81 and 1/9 adjustable with steps of 2 lines and 4 pixel
  - Resolution up to 216 luminance and 2x54 chrominance pixels per inset line
  - Horizontal and vertical filtering dependent on picture size
- Display Features:
  - 7 bit per pixel stored in memory
  - Field and joint-line free frame mode display
  - Display on VGA and SVGA screen ( $f_H$  limited to 40kHz)
  - 8 different read frequencies for 16:9 compatibility
  - Line doubling mode for progressive scan applications
  - Freeze picture
  - Coarse positioning at 4 corners of the parent picture
  - Fine positioning at steps of 4 pixels and 2 lines
- Output signal processing:
  - 7 Bit DAC
  - RGB or YUV switch: insertion of an external source without PIP processing
  - Digital interpolation for anti-imaging

---

<sup>1)</sup> available with SDA 9588X only

**Features**

- Adjustable transient improvement for luma (peaking)
- Contrast, Brightness and Pedestal Level adjustable
- Analog outputs: Y, +(B-Y), +(R-Y), or Y, -(B-Y), -(R-Y) or RGB
- Three RGB matrices available: NTSC(Japan), NTSC(USA) or EBU
- 64 different background colors and 4096 different frame colors
- Plain or 3D frame with variable width and height
- Data Slicing:
  - Slicing of closed-caption (CC) or wide-screen-signaling (WSS) data
  - Violence blocking capability (V-chip)
  - Several filter for XDS data extraction
- I<sup>2</sup>C-Bus control (400 kHz)
- High stability clock generation
- PDSO 28-1 package (SMD)
- Full SDA 9489X and SDA 9589X upward compatibility
- SDA 9388X / SDA 9389X pinout compatibility
- 3.3V supply voltage (5V input capable)

Pin Configuration

2 Pin Configuration

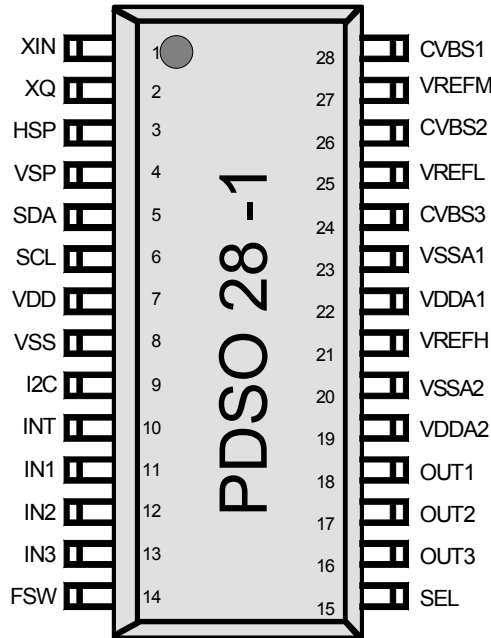
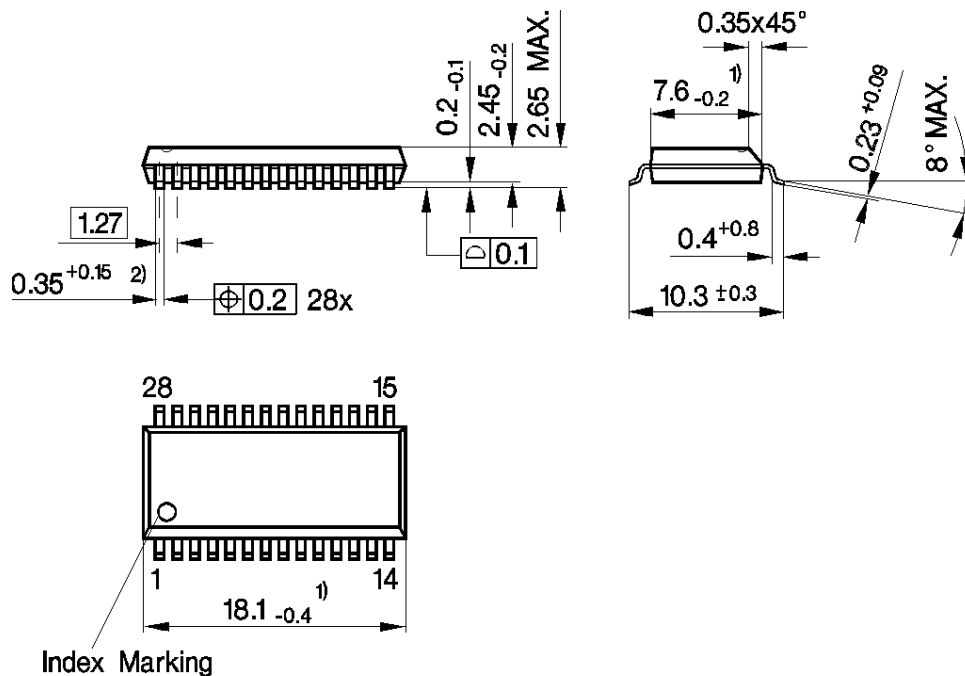


Figure 2-1 Pinning



- 1) Does not include plastic or metal protrusion of 0.15 max. per side
- 2) Does not include dambar protrusion of 0.05 max. per side

Figure 2-2 Package Outlines

## Pin Configuration

Number	Name	Type	Description
1	XIN	I	crystal oscillator (input) or external clock input
2	XQ	O	crystal oscillator (output)
3	HSP	I/TTL	horizontal sync for parent channel
4	VSP	I/TTL	vertical sync for parent channel
5	SDA	I/O	I <sup>2</sup> C-bus data
6	SCL	I	I <sup>2</sup> C-bus clock
7	VDD	S	digital supply voltage
8	VSS	S	digital ground
9	I2C	I	I <sup>2</sup> C Address
10	INT	O/TTL	interrupt
11	IN1	I/ana	V/R input for external YUV/RGB source
12	IN2	I/ana	Y/G input for external YUV/RGB source
13	IN3	I/ana	U/B input for external YUV/RGB source
14	FSW	I	fast switch input for YUV/RGB switch
15	SEL	O	fast blanking output for PIP
16	OUT3	O/ana	analog output: chrominance signal +(B-Y) or -(B-Y) or B
17	OUT2	O/ana	analog output: luminance signal Y or G
18	OUT1	O/ana	analog output: chrominance signal +(R-Y) or -(R-Y) or R
19	VDDA2	S	analog supply voltage for DAC
20	VSSA2	S	analog ground for DAC
21	VREFH	I/ana	upper reference voltage for ADC and DAC
22	VDDA1	S	analog supply voltage for ADC
23	VSSA1	S	analog ground for ADC
24	CVBS3	I/ana	CVBS3 or V (SDA 9588X) or C Input
25	VREFL	I/O	lower reference voltage for ADC
26	CVBS2	I/ana	CVBS2 or U (SDA 9588X) or Y (of Y/C) Input
27	VREFM	I/O	mid-level reference voltage for ADC
28	CVBS1	I/ana	CVBS1 or Y (of YUV, SDA 9588X) Input
<b>I= Input / ana=analog / O= Output / TTL=Digital (TTL) / S=Supply voltage</b>			

Table 2-1 Pin Description



Block Diagram

3 Block Diagram

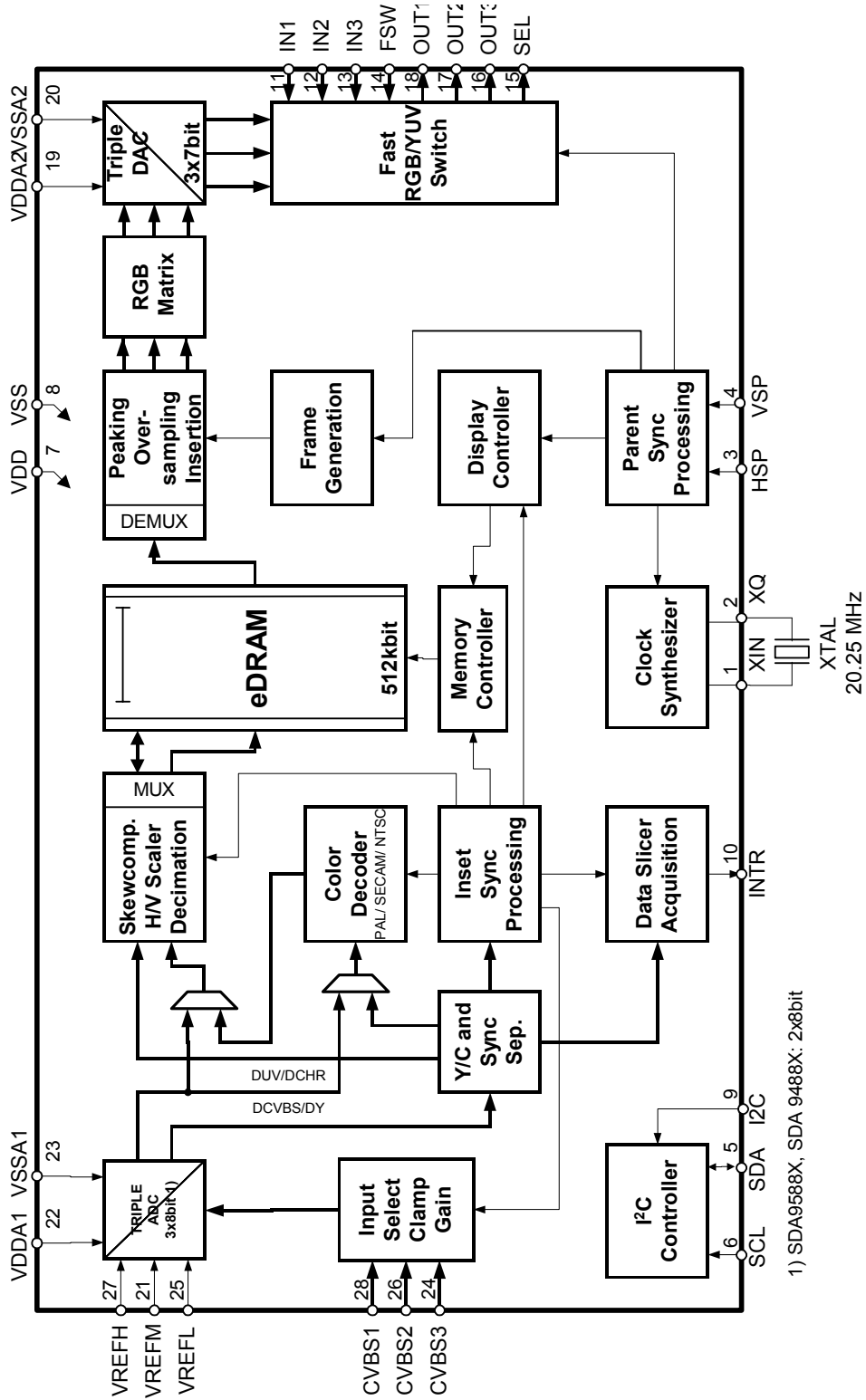


Figure 3-1 Block Diagram

## 4 System Description

### 4.1 Analog Frontend

#### 4.1.1 Input Selection

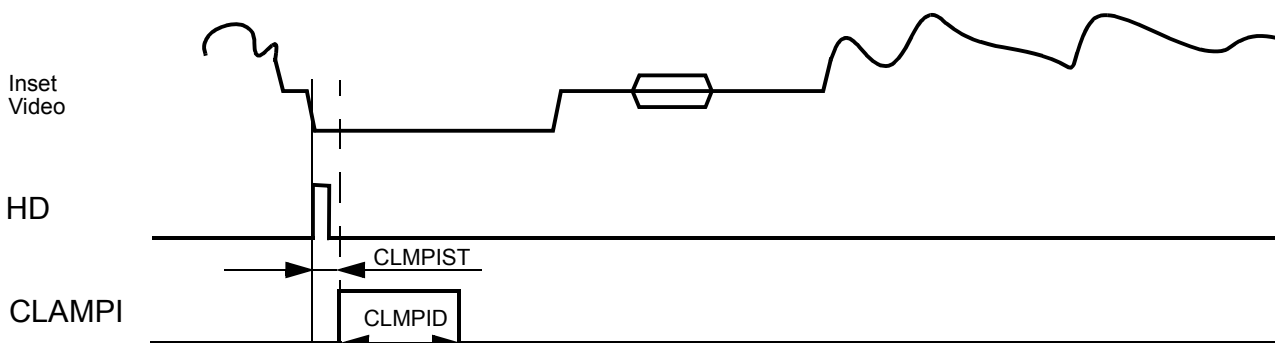
An analog inset CVBS signal can be fed to the inputs CVBS1-3 of SDA 9588X resp. SDA 9488X. Each of these sources is selectable via I<sup>2</sup>C bus (**CVBSEL**). CVBS2 and CVBS3 can be used as separate Y/C inputs. YUV sources can be connected to CVBS1, CVBS2 and CVBS3 provided YUV operation at the SDA 9588X being enabled (**YUVSEL**). Using an external switch the SDA 9588X can operate in applications with both YUV and CVBS signals.

CVBSEL		YUVSEL	Input			remark
D1	D0		CVBS1	CVBS2	CVBS3	
0	0	0	CVBS			
0	1	0		CVBS		
1	0	0		Y (VBS)	C	Y/C mode
1	1	0			CVBS	
X	X	1	Y (VBS)	U (CB)	V (CR)	YUV mode (SDA 9588X only)

**Table 4-1** Input selection

#### 4.1.2 AD-Conversion

All signal are clamped and AD-converted with an amplitude resolution of 8bit. CVBS and Y signals are clamped to the sync bottom whereas U/V and C signals are clamped to their mid-level during blanking.



**Figure 4-1** Clamping timing

## System Description

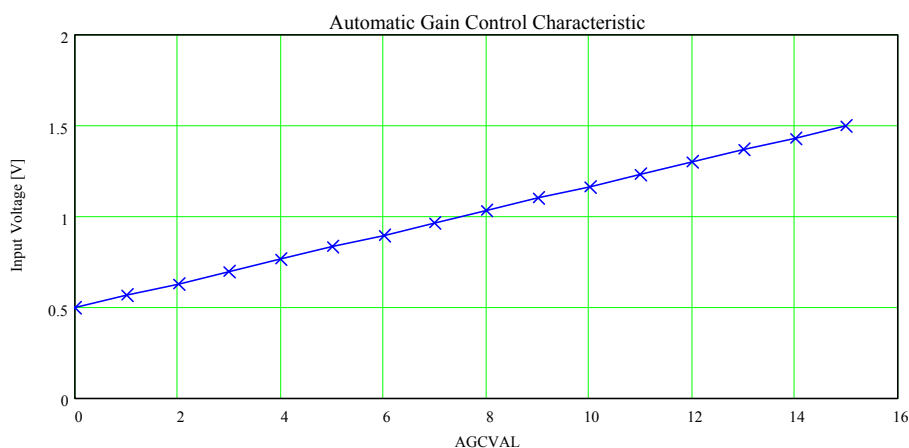
The clamping pulse can be shifted in position (**CLMPIST**) and length (**CLMPID**) to adjust to the specific application. The ADCs are driven by a 20.25 MHz free running crystal clock which is not related to the incoming CVBS signal.

To avoid aliasing by subsampling the CVBS signal and the Y/C signals should be bandlimited to 10MHz. In the same manner the U/V signal frequency spectrum (SDA 9588X) should not exceed 5 MHz. The digital filtering suppresses all frequencies above the useable spectrum.

### 4.1.3 Automatic Gain Control

To accommodate to different CVBS input voltages an automatic gain control has been implemented. The chip works correctly for input voltages in the range from 0.5 to  $1.5V_{pp}$ . For best signal-to-noise ratio, the maximum CVBS amplitude is recommended if available. The AGC behavior can be chosen out of four possibilities (**AGCMDE**):

The sync height serves as reference for the gain control in the typical application. When using overflow detection only, the gain is set to maximum and is reduced whenever an overflow occurs. This procedure will be executed again when a channel change is detected or the gain control is manually reset by **AGCRES**.



**Figure 4-2 AGC characteristic**

### 4.1.4 Signal Magnitudes

The nominal CVBS signal with 75% color has a magnitude of  $1V_{pp}$ . The upper headroom is left to permit signals with 100% color resulting in  $1.23V_{pp}$ . The Y signal must always contain the sync part. Its levels correspond to the CVBS levels except for the missing color and burst. After A/D conversion the video part is clamped to its black value and is amplified to 224 digital steps. The nominal signal levels ensure correct brightness and saturation. The YUV signal levels conform to the ITU 601 recommendation.

System Description

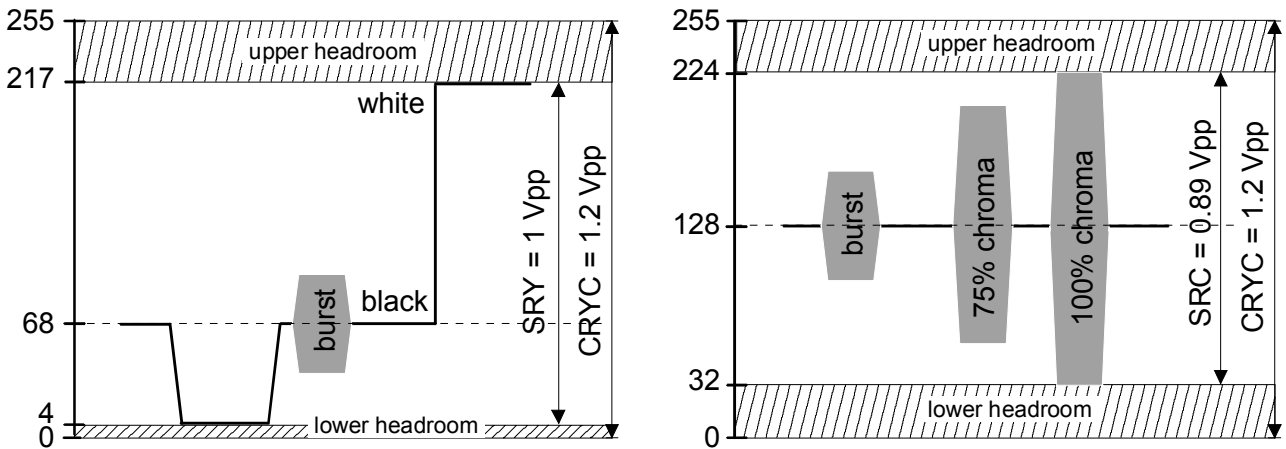


Figure 4-3 CVBS/Y and chroma ADC input signal range

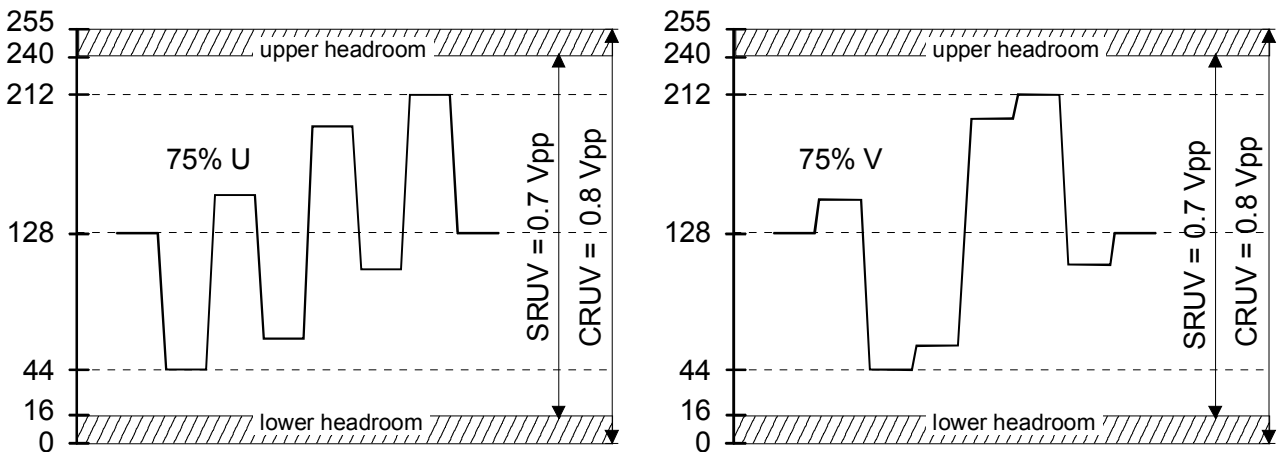


Figure 4-4 UV input signal range

AGCVAL				Conversion Range CR <sub>YC</sub>	Signal Range SR <sub>Y</sub>	Signal Range SR <sub>C</sub>	Conversion Range CR <sub>UV</sub>	Signal Range SR <sub>UV</sub>
D3	D2	D1	D0					
0	0	0	0	0.5V <sub>pp</sub>	0.42V <sub>pp</sub>			
			...	...	...			
1	0	0	0	1.2V <sub>pp</sub>	1.0V <sub>pp</sub>	0.89V <sub>pp</sub>	0.8V <sub>pp</sub>	0.7V <sub>pp</sub>
			...	...	...			
1	1	1	1	1.5V <sub>pp</sub>	1.25V <sub>pp</sub>			

Table 4-2 ADC conversion range and required input signal voltage

## System Description

## 4.2 Inset Synchronization

Horizontal and vertical sync pulses are separated after elimination of the high frequency components of the CVBS signal by a low pass filter. Horizontal sync pulses are generated by a digital phase-locked-loop (DPLL). Its time constant is adjustable between fast and slow behavior in four steps (**PLLITC**) to consider different input sources (e.g. VCR). Noisy input signals become more stable when a noise-reduction is enabled (**NSRED**). Additionally weak input signals from a satellite dish ('fishes') become more stable when **SATNR** is enabled. Both should be enabled to have best available performance. When **NOSIGB** is enabled, a colored background is shown instead of the picture when PIP is out of synchronization. The detected line standard is indicated by **SYNCSTAT**.

## 4.3 Chroma Decoding And Standard Search

The system is able to decode NTSC and PAL signals with a subcarrier of 3.58MHz and 4.43MHz (PAL B/M/N/60, NTSC M/4.4) as well as SECAM signals with 4.05/4.2MHz subcarrier. The system may be forced to a certain standard, or an automatic standard detection can be used (**CSTAND**). For automatic standard detection, some standards which are not likely to be received can be ignored to improve the detection process.

Depending on the detected line standard (525 or 625 lines) the color standard detection circuit searches for 60 Hz signals (NTSC-M / PAL-M / PAL 60 / NTSC44) or 50 Hz signals (PAL-B / SECAM / PAL-N) respectively. Within each line standard, the standard is detected by consequently switching from one to another. This standard detection process can be set to medium or fast behavior (**LOCKSP**). In medium behavior 30 fields (in fast 20) are used to detect the standard. If not being successful within this time period the system tries to detect another one. For SECAM detection, a choice between two recognition levels is possible (**SCMIDL**) and the evaluated burstposition is selectable (**BGPOS**).

CSTANDEX		NTSC-M	PAL60	PAL-N	PAL-M	PAL-B	SECAM	NTSC 44
D1	D0							
0	0							
0	1							
1	0							
1	1							

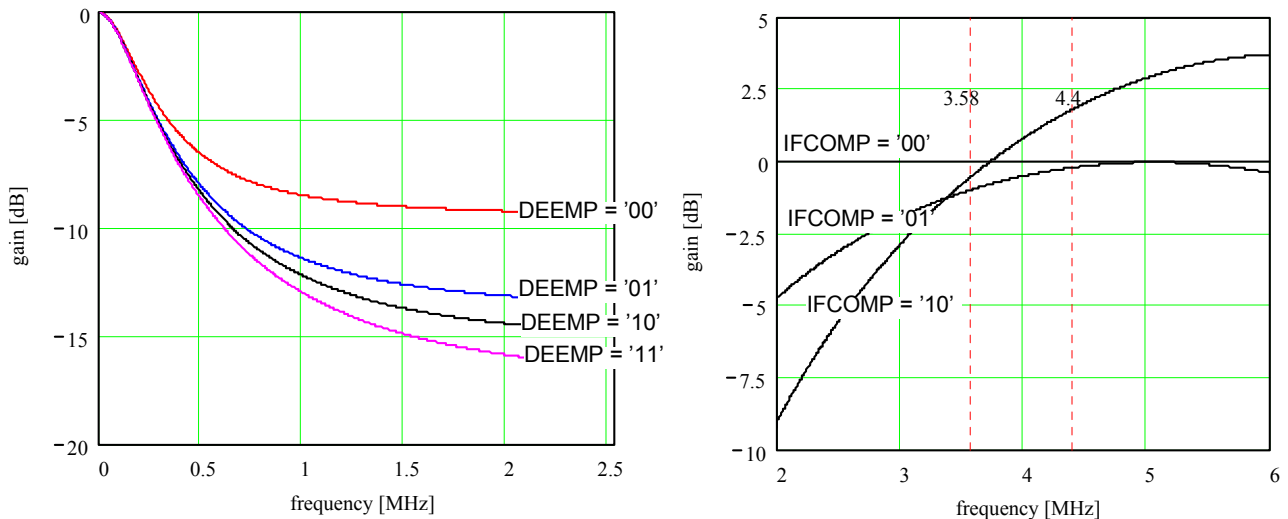
**Table 4-3 Considered color standards for automatic standard detection**

For getting the chrominance information the digitized video signal is multiplied with the regenerated color subcarrier once in-phase and once phase-shifted by 90°. After lowpass filtering digital UV is available for PAL and NTSC. The subcarrier is regenerated

## System Description

by a digital PLL. At SECAM operation the PLL runs free and generates the line-wise alternating subcarriers. A CORDIC structure demodulates the frequency-modulated UV signals. The following SECAM de-emphasis filter characteristic is adjustable (**DEEMP**).

The chroma signal can be filtered before demodulation by means of a selectable IF-prefilter (**IFCOMP**).



**Figure 4-5 SECAM de-emphasis filter characteristic and IF-compensation filter characteristic**

The Hue Control (**HUE**) influences the phase of the demodulation subcarrier between  $-44.8^\circ$  and  $43.4^\circ$  in steps of  $1.4^\circ$ . This is provided for NTSC only and adjustment is ineffective for PAL and SECAM signals.

The reference for the subcarrier generation is a crystal stable clock of 20.25000 MHz. In order to avoid color standard detection problems, the maximum deviation of this frequency should not exceed 100ppm. For a good PLL locking behavior a maximum deviation of 40ppm is recommended. A small frequency adjustment (-150 ... +310 ppm) is possible for using a crystal with small frequency deviations (**SCADJ**). For test purposes, **CPLL** allows to open the loop of the chroma PLL.

For deviations in the chroma signal up to 30dB, a stable output amplitude after chroma decoding is achieved due to the ACC (Automatic Chroma Control). If the chroma signal (color burst) is below a selectable threshold (**CKILL**), the color will be switched off. Alternatively the color-killer can be bypassed and the color can be switched on or off under all conditions (**COLON**). By setting **ACCFIX**, the automatic chroma control is disabled and set to a default value.

CKILL		COLON	color killed at damping of
D1	D0		
0	0	0	30 dB
0	1	0	18 dB
1	1	0	24 dB
1	1	0	color always off
X	X	1	color always on

**Table 4-4 Color-killer adjustment**

The bandwidth of the chroma filter is adjustable via **CHRBW**. The bandwidth depends on whether the decoder is in SECAM operation or not. A change in **CHRBW** does not result in a chrominance position shift on the screen.

**CKSTAT** can be read out and gives information whether the color is switched on or off.

**STDET** indicates the detected color standard. Additionally **PALID** signals whether a PAL signal or a NTSC signal is applied.

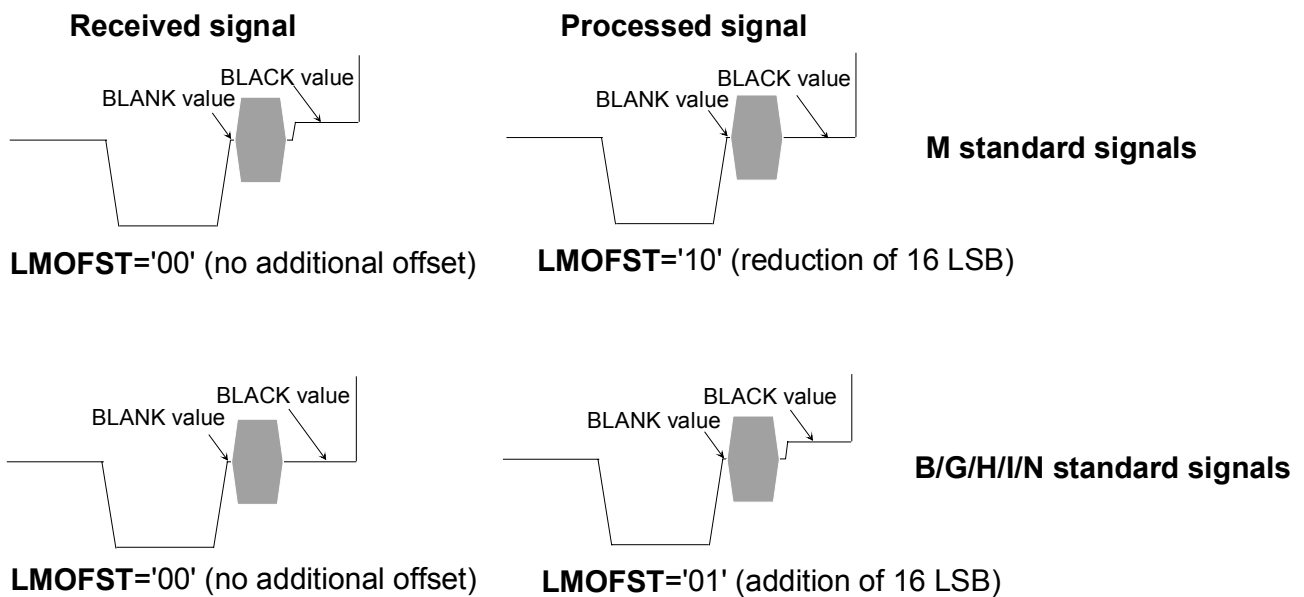
#### 4.4 Comb Filtering

Depending on the selected picture size and color standard, a comb filtering is performed for luminance and chrominance. A comb filter uses the spectral interleaving of the encoded luminance and chrominance to separate both without cross artifacts. Thus cross-color and cross-luminance are suppressed effectively. For NTSC sources, a comb filtering is performed for all picture sizes. Due to reduced bandwidth in horizontal and vertical direction a strong reduction of cross artifacts can be achieved for PAL signals. The same applies for the luminance signal of SECAM signals.

#### 4.5 Luminance Processing

The A/D-converted CVBS (or Y) signal is digitally clamped to back porch. Depending on the transmitted standard and operational area, an offset between black- and blanking level can be found in the incoming signal ('7.5 IRE'). As for some applications a black offset is not desired, controlling may be done using **LMOFST**. The positive or negative offset is added to the Y signal before scaling.

## System Description



**Figure 4-6 Black level correction of luminance signal**

The color carrier is removed out of a CVBS signal by means of a notch filter. It is set to the corresponding color carrier (3.58 or 4.4 MHz) only if the standard is detected permanently. This prevents the luminance sharpness of being changed within the standard search process. For Y signals the notch is disabled.

For a fine adjustment of delaycompensation between luminance and chrominance, **YCDEL** allows a luminance shifting in 16 steps of 50ns.

## 4.6 Decimation

### 4.6.1 Single PIP Mode

Luminance and chrominance signals are filtered in horizontal and vertical direction. The coarse horizontal and vertical picture size (1/3, 1/4, 1/6) is independently programmable with **SIZEHOR** and **SIZEVER**. A fine adjustment in steps of 4 pixel and 2 lines is possible by **HSHRINK** and **VSHRINK**, which allows correct aspect ratio for multistandard applications (50/60 Hz mixed mode, (S)VGA).

For main decimation factors, the stored number of pixel and lines are listed in the following tables.



## System Description

SIZEHOR		horizontal scaling	PIP Pixel per line		
D1	D0		Y	(B-Y)	(R-Y)
0	0	3:1 <sup>1)</sup>	216	54	54
0	1	3:1	216	54	54
1	0	4:1	160	40	40
1	1	6:1	108	27	27

<sup>1)</sup> only used for compatibility with other SDA 948xX/958xX types

**Table 4-5** Number of stored pixel per line dependent on SIZEHOR

SIZEVER		vertical scaling	PIP lines	
D1	D0		625 lines source	525 lines source
0	0 <sup>1)</sup>	3:1	88	72
0	1	3:1	88	72
1	0	4:1	66	54
1	1	6:1	44	36

<sup>1)</sup> only used for compatibility with other SDA 948xX/958xX types

**Table 4-6** Number of stored lines per field

**System Description**

HSHRNK	SIZEHOR	Decimation factor	stored Pixel	HSHRNK	SIZEHOR	Decimation factor	stored Pixel
0	1	3,00	216	0	3	6,00	108
1	1	3,04	212	1	3	6,23	104
2	1	3,11	208	2	3	6,48	100
3	1	3,17	204	3	3	6,75	96
4	1	3,23	200	4	3	7,04	92
5	1	3,29	196	5	3	7,35	88
6	1	3,37	192	6	3	7,70	84
7	1	3,44	188	7	3	8,10	80
8	1	3,51	184	8	3	8,52	76
9	1	3,60	180	9	3	8,99	72
10	1	3,67	176	10	3	9,51	68
11	1	3,76	172	11	3	10,12	64
12	1	3,84	168	12	3	10,64	60
13	1	3,94	164				
0	2	4,05	160				
1	2	4,16	156				
2	2	4,27	152				
3	2	4,38	148				
4	2	4,50	144				
5	2	4,63	140				
6	2	4,77	136				
7	2	4,91	132				
8	2	5,06	128				
9	2	5,22	124				
10	2	5,41	120				
11	2	5,59	116				
12	2	5,78	112				

**Table 4-7 Number of stored pixel per line dependent on HSHRNK**

## System Description

VSHRNK	SIZEVER	625 lines		525 lines	
		Dec. Factor	Lines	Dec. Factor	Lines
0	1	3,00	88	3	72
1	1	3,07	86	3,09	70
2	1	3,14	84	3,19	68
3	1	3,21	82	3,28	66
4	1	3,30	80	3,38	64
5	1	3,38	78	3,49	62
6	1	3,47	76	3,61	60
7	1	3,56	74	3,73	58
8	1	3,66	72	3,87	56
9	1	3,77	70		
10	1	3,89	68		
0	2	4,00	66	4,01	54
1	2	4,13	64	4,15	52
2	2	4,25	62	4,31	50
3	2	4,41	60	4,5	48
4	2	4,56	58	4,69	46
5	2	4,72	56	4,9	44
6	2	4,88	54	5,13	42
7	2	5,06	52	5,39	40
8	2	5,28	50	5,7	38
9	2	5,50	48		
10	2	5,75	46		

VSHRNK	SIZEVER	625 lines		525 lines	
		Dec. Factor	Lines	Dec. Factor	Lines
0	3	6,00	44	6,00	36
1	3	6,28	42	6,38	34
2	3	6,61	40	6,75	32
3	3	6,94	38	7,22	30
4	3	7,31	36	7,73	28
5	3	7,78	34	8,30	26
6	3	8,25	32	9,00	24
7	3	8,81	30	9,80	22
8	3	9,42	28	10,78	20
9	3	10,17	26		
10	3	11,02	24		

Table 4-8 Number of stored lines per field dependent on VSHRNK

#### 4.6.2 Horizontal And Vertical Fine Positioning

All picture sizes are pre-centered inside the frame. In addition, if necessary the vertical and horizontal acquisition area can be shifted by **VFP** for vertical and **HFP** for horizontal direction.

#### 4.6.3 Multi Display Mode

SDA 9488X and SDA 9588X offer the feature to display a sub-picture more than once. The picture size and arrangement depends on the display mode (**DISPMOD**) and not on **SIZEHOR** or **SIZEVER**. Hence variable scaling is not possible in these modes.

## System Description

Display Mode	DISPMOD		Size	Picture configuration	Pixel	Lines	
	D1	D0				625	525
1	0	0	SIZEHOR/ SIZEVER HSRHNK/ VSHRNK	single PIP mode,	216 - 60	88 - 24	72 - 20
2	0	1	3 X 1/9	one upon another (same content)	216	264	216
3	1	0	4 X 1/16	one upon another (same content)	156	264	216

**Table 4-9 Multi-display modes**

The display modes are shown in the appendix. The sizes of the partial pictures are listed in table 4-9.

**4.7 Display Control**

The on-chip memory capacity is 512 kbits. Provided that the same standard (50 or 60 Hz) video sources are applied to inset and parent channel, jointline-free frame mode display is possible. This means that every incoming field is processed and displayed by the SDA 9488X/SDA 9588X processor. The result is a high vertical and time resolution. For this purpose the standard is analyzed internally and frame mode display is blocked automatically, if the described restrictions are not fulfilled. Then only every second incoming field is shown (field mode). Field mode normally shows jointlines. This is caused by an update of the memory during read out. The result is that one part of the picture contains new picture information and the other part contains one earlier written field. The switching from or to frame mode is free of artifacts.

Activation of frame-mode display is blocked automatically if at least one of the following conditions is not fulfilled:

- Inset and parent channel have the same field repetition frequency. This means that frame mode is possible only for 50Hz inset and parent sources or 60Hz inset and parent sources.
- Interlace signal is detected for inset and parent channel. For progressive scan or (S)VGA display therefore only field mode is possible. For some VCRs in trick mode, often no interlace is detected also.
- The number of lines is within a predefined range for inset (**FMACTI**) or parent (**FMACTP**) channel (assuming standard signals according to ITU)

System Description

FMACTP	parent standard	number of lines per field	FMACTI	inset standard	number of lines per field
0	50 Hz	310...315	0	50 Hz	310...315
1	50 Hz	290...325	1	50 Hz	290...325
0	60 Hz	260...265	0	60 Hz	260...265
1	60 Hz	250...275	1	60 Hz	250...275

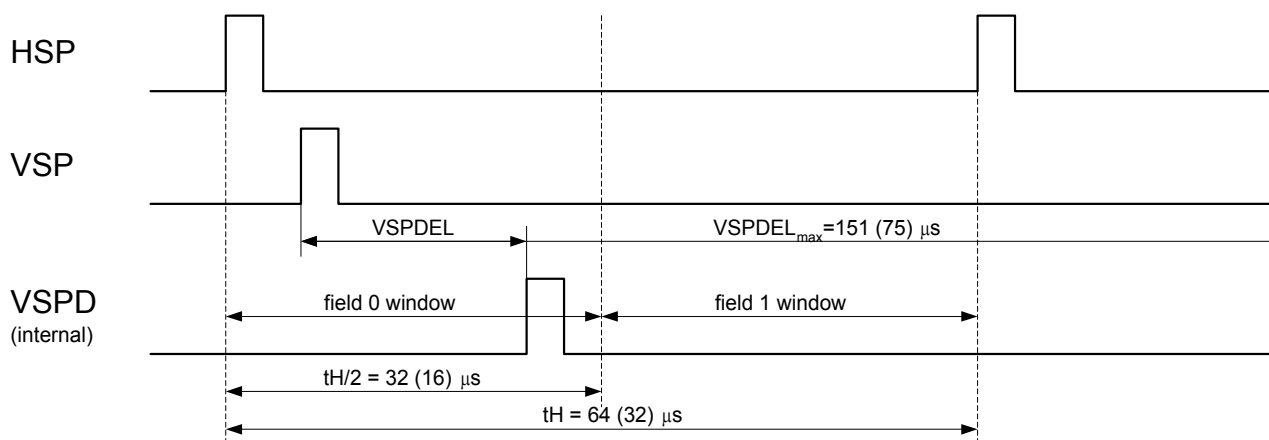
**Table 4-10 Required number of lines for frame mode display**

The system may be forced to field mode by means of **FIesel**. Either first or second field is selectable. 'One of both' takes every second field independent of the field number. This is meant for sources generating only one field (e.g. video-games).

For progressive scan conversion systems and HDTV / (S)VGA displays a line doubling mode is available (**PROGEN**). Every line of the inset picture is read twice.

Memory writing is stopped by **FREEZE** bit. The field stored in the memory is then continuously read. As the picture decimation is done before storing, the picture size of a frozen picture can not be changed.

Depending on the phase between inset and parent signals a correction of the display raster for the read out data is performed. Synchronization of memory reading with the parent channel is achieved by processing the parent horizontal and vertical synchronization signals. Horizontal and vertical pulses may be provided. The signals are fed to the IC at pin HSP for horizontal synchronization and pin VSP for vertical synchronization. **HSPINV** or **VSPINV** respectively allow an inversion of the expected signal polarity.



values in brackets ( ) apply for 100Hz systems

**Figure 4-7 Field detection and phase adjustment of vertical pulse (VSP)**

## System Description

As the external VSP and HSP signals may come from different devices with different delay paths, the phase between V-sync and H-sync is adjustable (**VSPDEL**). An incorrect setting of **VSPDEL** may result in wrong or unreliable field detection of parent channel.

Normally a noise reduction of the incoming parent vertical pulse is performed. With this function missing vertical pulses are compensated. The circuit works for 50/60 Hz applications as well as progressive and 100/120Hz application. (S)VGA signals are supposed to be very stable and therefore not supported by the noise suppression. By means of **VSPNSRQ**, vertical noise suppression is switched off.

A great variety of combinations of inset and parent frequencies are possible. The following table shows some constellations:

Inset Frequency <sup>1)</sup>	Parent Frequency <sup>1)</sup> (HSP/VSP)	frame mode	correct aspect ratio (single pip)	correct aspect ratio (multi display)	vertical noise suppression selectable
50	50i				
50	60i				
60	50i				
60	60i				
50	50p				
50	60p				
60	50p				
60	60p				
50	100i				
50	120i				
60	100i				
60	120i				
50	(S)VGA			2)	
60	(S)VGA			2)	

<sup>1)</sup> standard signals supposed

<sup>2)</sup> valid for some parent frequencies. Please refer to **Chapter 4.7.1**

**Table 4-11 Available Features with varying inset and parent standards**

## System Description

## 4.7.1 Mixed Standard Applications And (S)VGA Support

remark ( $N_{\text{apel}} \times N_{\text{aline}} @ f_V$ )	$f_H$ (kHz)	$T_H$ ( $\mu\text{s}$ )	$T_{\text{Hact}}$ ( $\mu\text{s}$ )	lines/ active	$f_{\text{dot}}$ (MHz)	scan	correct aspect ratio
720X576@50Hz (TV)	15.6	64.0	52.0	625/ 576	13.5	interlace	
702X488@60Hz (TV)	15.7	63.6	52.7	525/ 488	13.5	interlace	
720X576@100Hz (TV 100 Hz)	31.2	32.0	26.0	625/ 576	27	interlace	
702X488@120Hz (TV 120 Hz)	31.2	31.8	26.4	525/ 488	27	interlace	
720X576@50Hz (TV progressive)	31.2	32.0	26.0	625/ 576	27	prog- ressive	
702X488@60Hz (TV progressive)	31.2	31.8	26.4	525/ 488	27	prog- ressive	
640X480@60Hz (VGA)	31.5	31.8	25.4	525/ 480	25.2	prog- ressive	
640X480@72Hz (VGA)	37.9	26.4	20.3	520/ 480	31.5	prog- ressive	
640X480@75Hz (VGA)	37.5	26.7	20.3	500/ 480	31.5	prog- ressive	
800X600@56Hz (SVGA)	35.2	28.4	22.2	625/ 600	36.0	prog- ressive	
800X600@60Hz (SVGA)	37.9	26.4	20.0	625/ 600	40.0	prog- ressive	
800X600@72Hz (SVGA)	48.1	20.8	16.0	666/ 600	50.0	prog- ressive	
800X600@75Hz (SVGA)	46.9	21.3	16.2	625/ 600	49.5	prog- ressive	
800X600@85Hz (SVGA)	53.7	18.6	14.2	631/ 600	56.3	prog- ressive	
1024X768@43Hz (SVGA)	35.5	28.2	22.8	817/ 768	44.9	interlace	

Table 4-12 Examples of supported parent signals

## System Description

The SDA 9488X resp. SDA 9588X allow multiple scan rates for the use in desktop video applications, VGA compatible or 100Hz TV sets. All features are provided in 'normal' operating modes at auto detected 50Hz and 60 Hz parent and inset standards.  $2f_H$  modes (100/120Hz and progressive) are supported by line frequency- and pixel clock doubling and are not detected automatically. Even on a 16:9 picture tube correct aspect ratio can be displayed by selecting the appropriate parent clock. The video synthesizer generates also a special pixel clock for VGA display (see chapter 5.5.9 for details). As (S)VGA consists of a variety of scan rates the correct aspect ratio is not adjustable for all modes with the parent clock (**HZOOM**) because of the limited count of frequencies. For single PIP only, correct aspect ratio is maintained by the vertical and horizontal scaler (**HSHRINK** and **VSHRINK**).

It is possible to display (S)VGA sources for parent display, as long as the horizontal frequency is lower than 40 kHz and the signal does not contain more than 1023 lines. For progressive scan mode, **PROGEN** must be set. Additionally *field-mode* should be forced to prevent unallowed *frame-mode* displaying (**FIesel**). As the (S)VGA normally does not fit to the display raster generated in the vertical noise suppression, **VSPNSRQ** should be disabled. (S)VGA signals for inset channel are not supported.

<b>PROGEN</b>	<b>READD</b>	<b>Expected input signal</b>
0	0	50 or 60 Hz signal interlace
0	1	100 or 120 Hz signals interlace
1	0	(reserved)
1	1	50 or 60 Hz or (S)VGA signal progressive

**Table 4-13 Selection of display field repetition**

### 4.7.2 Display standard

For a single-PiP, the number of displayed lines depends on the selected picture size and on the signal standard. For multi picture display, the number of displayed lines depends on the selected picture size and on the signal standard of the parent signal. Additionally, a standard can be forced by **DISPSTD**.



## System Description

DISPSTD		DISPMOD	Display Standard
D1	D0		
0	0	0	PIP depends on detected inset standard (single pip)
0	0	>0	PIP depends on detected parent standard (multi display)
0	1	x	PIP display is always in 625 lines mode
1	0	x	PIP display is always in 525 lines mode
1	1	x	freeze last detected display standard and size

Table 4-14 Display standard selection

If a 625 lines picture is shown with a 525 lines parent signal, some lines are missing on top and bottom of picture. If a 525 lines picture is shown with a 625 lines display standard, missing lines at top and bottom are filled with background color.

#### 4.7.3 Picture Positioning

The display position of the inset picture is programmable to the 4 corners of the parent picture (**CPOS**). From there PIP can be moved to the middle of the TV Picture with **POSHOR** and **POSVER**. The corner positions can be centered coarsely on the screen with **POSOFH** and **POSOFV**. Depending on coarse position, one PIP corner remains stable when changing the picture size.

CPOS		Coarse Position	Reference corner of PiP	increasing POSVER	increasing POSHOR
D1	D0				
0	0	upper left	upper left	down	right
0	1	upper right	upper right	down	left
1	0	lower left	lower left	up	right
1	1	lower right	lower right	up	left

Table 4-15 Coarse Positioning

Starting at every coarse position, the picture is movable to 256 horizontal locations (4 pixel increments) and 256 vertical locations (2 line increments). The pixel width on the screen depends on the selected **HZOOM** factor. Even POP-positions (Picture Outside Picture) in 16:9 applications are possible.

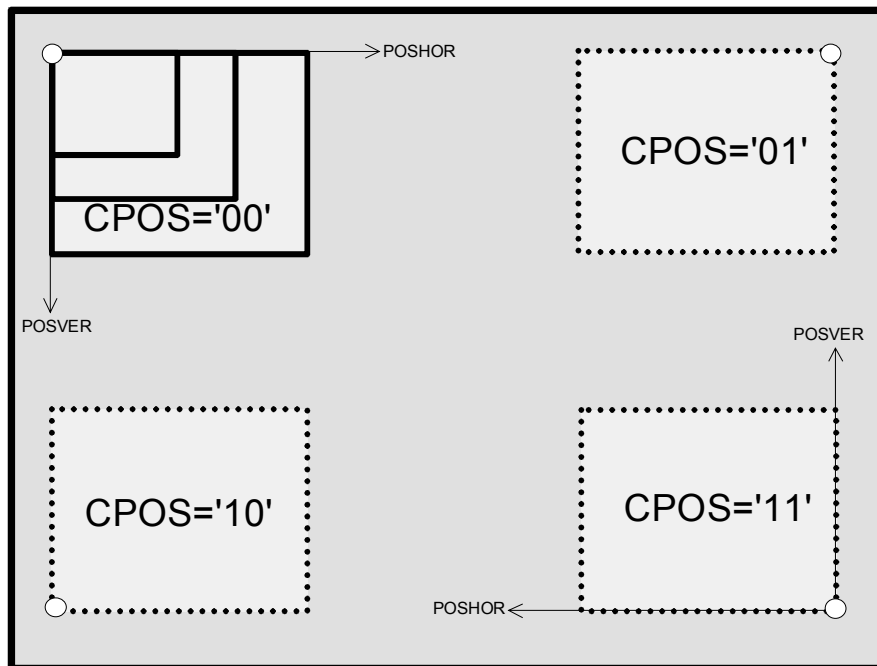


Figure 4-8 Coarse Positioning

## 4.8 Output Signal Processing

### 4.8.1 Luminance Peaking

To improve picture sharpness, a peaking filter which amplifies higher frequencies of the input signal is implemented. The amount of peaking can be varied in seven steps by **YPEAK**. The setting '000' switches off the peaking. The value '011' is recommended. This provides a good compromise between sharpness impression and annoying aliasing. The characteristic for all possible settings is shown in fig. (4-9)

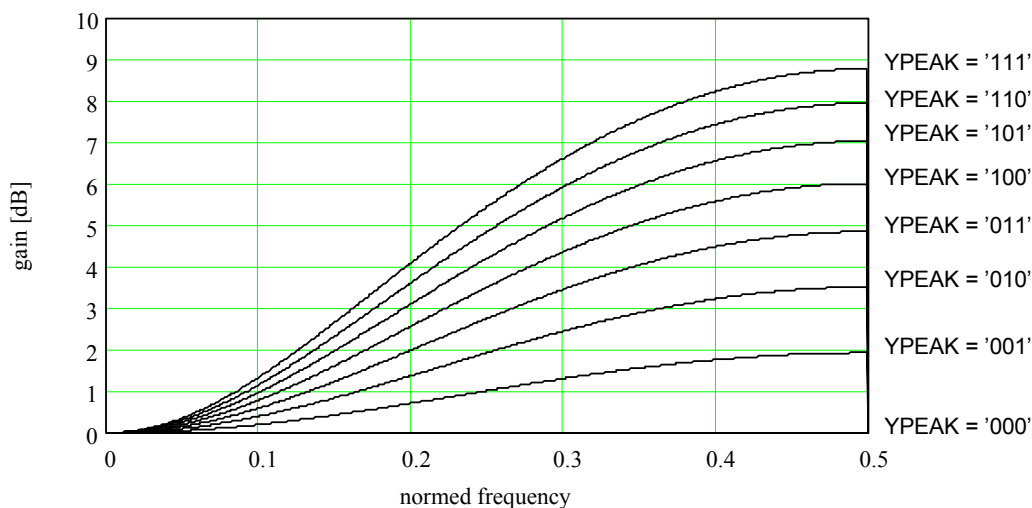


Figure 4-9 Characteristics of selectable peaking factors

## System Description

Coring should be switched on by **YCOR** to reduce noise, which is also amplified when peaking is enabled. As the coring stage is in front of the peaking filter, 1 LSB noise will not be peaked.

#### 4.8.2 RGB Matrix

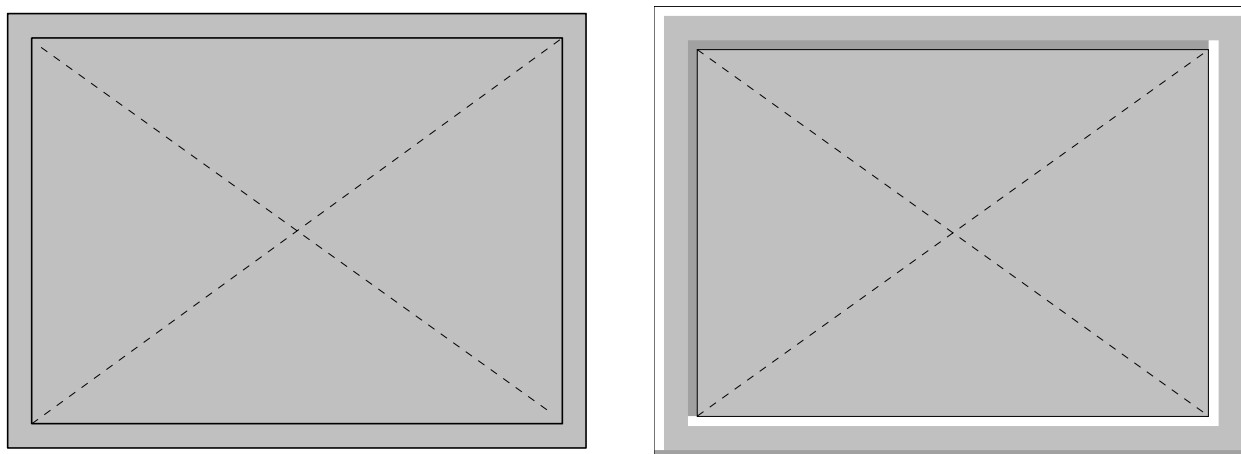
The chip contains three different matrices, one suited for EBU standards, one suited for NTSC-Japan and one suited for NTSC-USA, which are selected via **MAT**. The signal **OUTFOR** switches between YUV output or RGB output. The signal **UVPOLAR** inverts the U and V channels and results in Y-U-V output. The standard magnitudes and angles of the color-difference signals in the UV-plane are defined as follows:

MAT		Magnitudes			Angles			Standard
D1	D0	(B-Y)	(R-Y)	(G-Y)	(B-Y)	(R-Y)	(G-Y)	
0	0	2.028	1.14	0.7	0	90	236	EBU
0	1	2.028	1.582	0.608	0	95	240	NTSC (Japan)
1	0	2.028	2.028	0.608	0	105	250	NTSC (USA)
1	1							(reserved)

**Table 4-16 RGB matrices characteristics**

The color saturation can be adjusted with **SATADJ** register in 16 steps between 0 and 1.875. Values above 1.0 may clip the chrominance signals.

#### 4.8.3 Framing And Colored Background



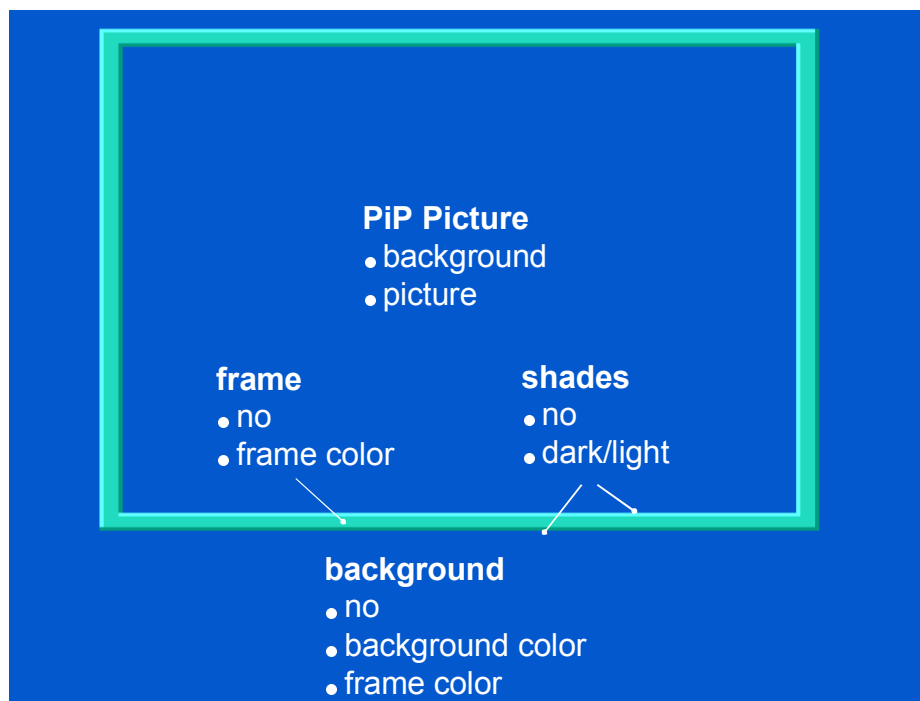
**Figure 4-10 Normal frame and 3D frame**

## System Description

With **FRSEL** a colored frame is added to the inset picture. The chip can display two different types of frames, one simple monochrome frame and a more sophisticated frame giving a three dimensional impression.

The frame elements are always placed outside the inset picture, except for the inner shade of three dimensional frame or inner frame in multipip-mode. There is no shift of the inset picture position if the inset frame width is modified.

4096 frame colors are programmable by **FRY**, **FRU**, and **FRV**, 4 bits for each component. Horizontal and vertical width of the frame are programmable independently by **FRWIDH** and **FRWIDHV**. If desired, frame color is displayed over the whole PIP size or whole picture size of the main channel when **PIPBG** is set accordingly.



**Figure 4-11 Selectable picture configurations**

64 background colors are programmable by **BGY**, **BGU**, **BGV**, 2 bits for each component. Alternatively **BGFRC** sets the background to frame color.

### 4.8.4 16:9 Inset Picture Support

To remove dark stripes at 16:9 inset pictures the vertical display area is reducible with **VPSRED**. The number of omitted lines depends on the vertical decimation factor.

System Description

vertical decimation factor	displayed lines (50Hz)	displayed lines (50Hz) with reduction	displayed lines (60Hz)	displayed lines (60Hz) with reduction
1	264	214	216	175
...				
6	44	35	36	29

Figure 4-12 Number of lines without and with reduction of vertical picture size



Figure 4-13 16:9 inset picture without and with reduction of vertical picture size

4.8.5 Parent Clock Generation

The phase of the output signals is locked to the rising edge of the horizontal sync pulse. The frequency varies in a certain range to ensure correct aspect ratio for 16:9 applications depending on **HZOOM**. The horizontal and vertical scaling can be used for all display frequencies.

display format	inset picture format	desired PiP format	required parent frequency	value of HZOOM		
				D2	D1	D0
4:3	4:3	4:3	27	0	0	0
4:3	4:3	16:9	20.25	0	0	1
16:9	4:3	4:3	36	0	1	0
16:9	16:9	16:9	36	0	1	0

Table 4-17 Format conversion using HZOOM

## System Description

For variations of parental horizontal frequency (e.g. VCR), a digital correction of the position is useful to stabilize the picture (**POSCOR**). This circuit detects a varying parental line frequency and moves the picture to the place, where it would have been without this frequency deviation. The calculation is done once a field.

### 4.8.6 Select Signal

For controlling an external RGB or YUV switch a select signal is supplied. The delay of this signal is programmable for adaptation to different external output signal processing devices (**SELDEL**). **SELDOWN** sets this output to tristate (high-resistance).

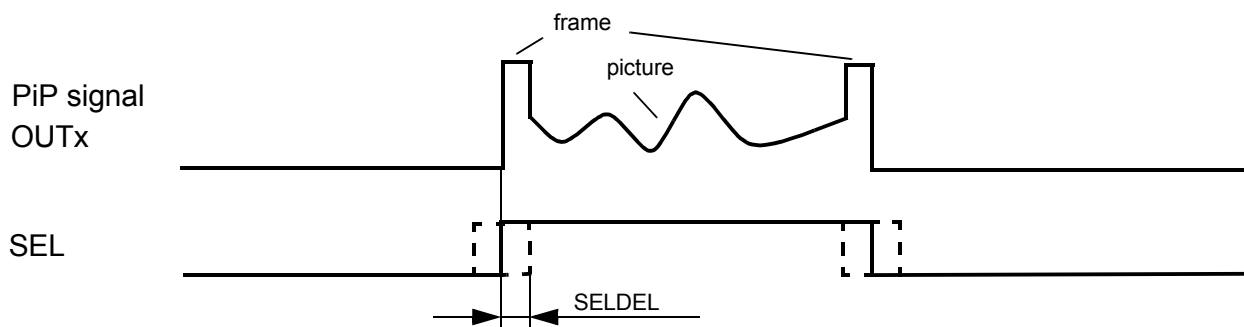


Figure 4-14 Select timing

### 4.9 DA-Conversion And RGB / YUV Switch

The SDA 9588X/SDA 9488X include three 7bit DA-converters. Brightness (**BRTADJ**), Contrast (**CON**) and overall amplitude (**PKLR, PKLG, PKLB**) of the output signal are adjustable. External RGB or YUV signals can be connected to the inputs IN1...3. By forcing the FSW input to high-level these signals are switched to the outputs OUT1...3 while the internal signals are switched off. The FSW input signal is passed through to the SEL output. The setting of **RGBINS** determines whether an RGB insertion is possible and which source, the external picture or the PiP, gets priority.

System Description

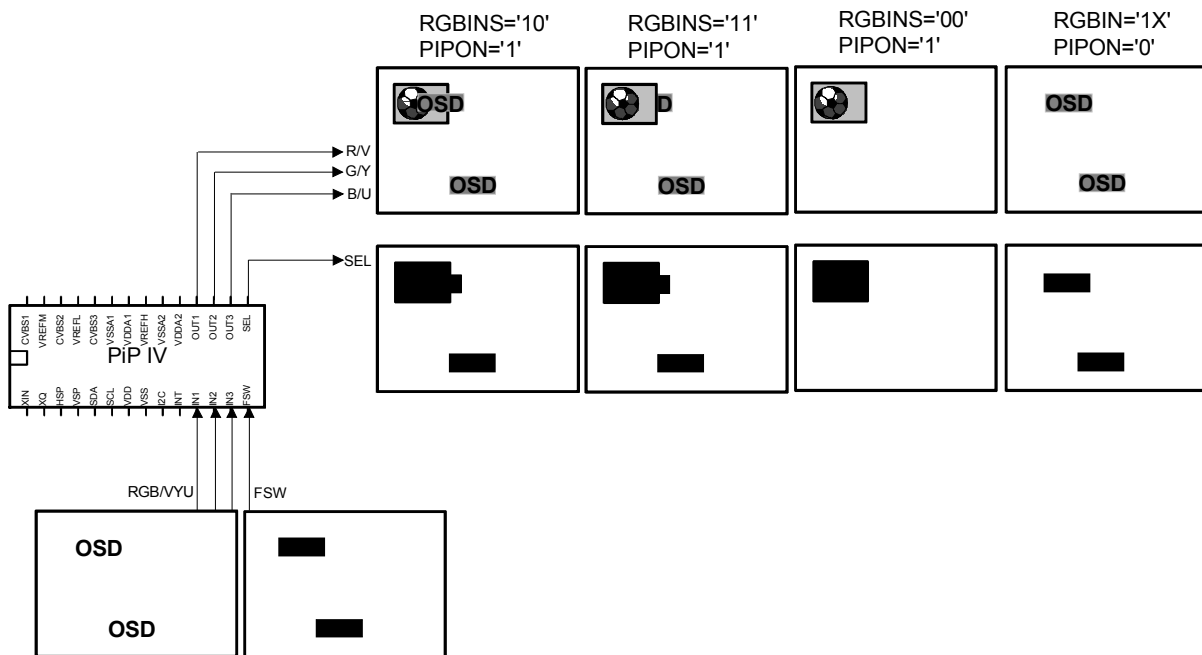


Figure 4-15 Visualization of RGB/YUV insertion

The external RGB or YUV signals are each clamped to the reference levels of the DACs to force uniform black levels in each channel. The clamping needs careful adjustment especially for VGA applications. The position and the length of the blanking pulse as well as the clamping pulse are adjustable (**CLPPOS**, **CLPLEN**). If **READD** is set to '1' (100Hz mode), all pulses are shortened by one half. **HZOOM** influences the adjustment range of the clamping and blanking pulse because of the modified clock frequency, but the pulse length is kept nearly constant.

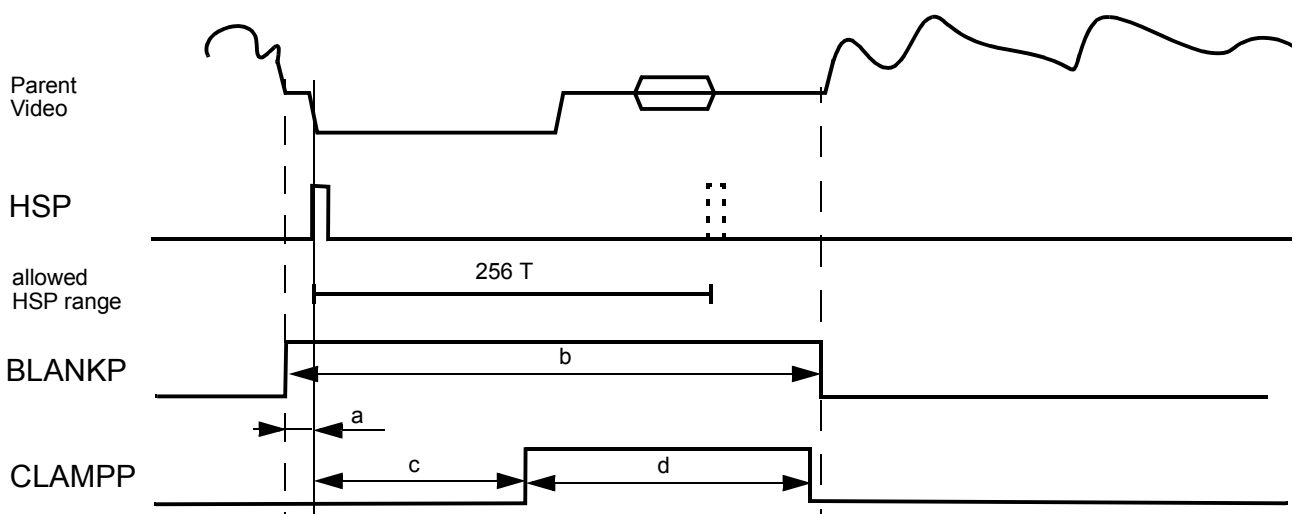


Figure 4-16 PIP horizontal blanking timing

## System Description

READD	CLPDEL			CLPLEN		a (μs) Blanking Start	b (μs) Blanking Duration	c (μs) Clamping Start	d (μs) Clamping Duration
	D2	D1	D0	D1	D0				
0	0	0	0	0	0	-1.5	10.5	3	5
0	1	1	1	0	0	-11	10.5	-6.4	5
0	0	0	0	0	1	-1.5	7.9	2.2	3.8
0	1	1	1	0	1	-11.0	7.9	-7.3	3.8
1	0	0	0	0	0	-0.8	5.3	1.5	2.5
1	1	1	1	0	0	-5.5	5.3	-3.2	2.5
1	0	0	0	0	1	-0.8	4	1.1	1.9
1	1	1	1	0	1	-5.5	4	-3.6	1.9

Table 4-18 PIP horizontal blanking timing

#### 4.9.1 Contrast, Brightness and Peak Level Adjustment

The peak level adjustment modifies the magnitude of each channel separately. It should be used to adapt once the signal levels to the following stage. The contrast adjustment influences all three channels and allows a further increase of 30% of the peak level magnitude. The effect of the brightness adjustment depends on the selected output mode (RGB/YUV). In YUV mode it changes the offset of the OUT2 (Y) signal only while in RGB mode it changes the offset of all three channels at the same time. The brightness increase is up to 20%.

#### 4.9.2 Pedestal Level Adjustment

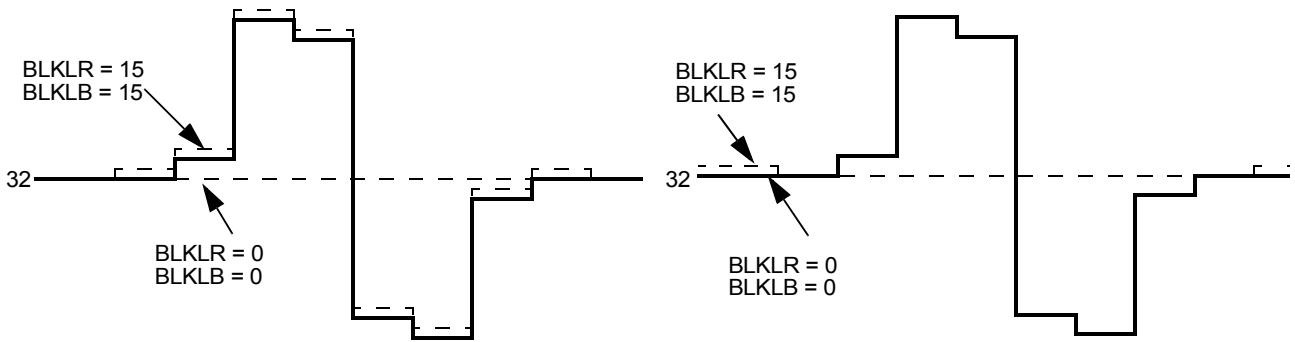
The pedestal level adjustment controlled by I<sup>2</sup>C signals **BLKLR**, **BLKLG**, **BLKLB** enables the correction of small offset errors, possibly appearing at the successive blanking stage of RGB processor. This adjustment has an effect on the setup level during the active line interval of each channel like the brightness adjustment but has an enhanced resolution of 0.5 LSB. The maximum possible offset amounts to 7.5 LSBs. In YUV mode (**OUTFOR** = '1') the action depends on the setting of **BLKINVR** and **BLKINVB**. If **BLKINVR** (**BLKINVB**) is active the offset applies to the blank level of the **RV** (**BU**) channel during the clamping interval for shifting the setup level to the negative direction. In RGB mode (**OUTFOR** = '0') **BLKINVR** and **BLKINVB** have no effect.



**YUV Mode**

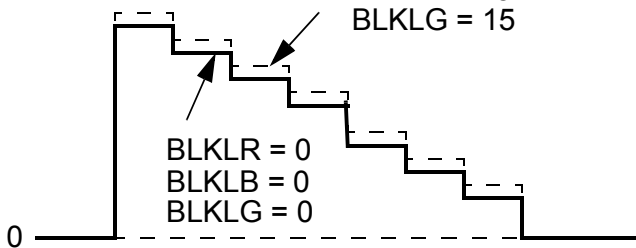
BLKINVR = BLKINVB = 0

BLKINVR = BLKINVB = 1



**RGB Mode**

BLKLR = 15  
BLKLB = 15  
BLKLG = 15



**Figure 4-17 Pedestal level adjustment**

**4.10 Data Slicer**

Depending on **SERVICE**, Closed Caption data ('Line 21') or WSS (Widescreen signalling) is sliced by the digital data slicer and can be read out from I<sup>2</sup>C interface. The line number of the sliced data is selectable with **SELLNR**. Therefore WSS and CC can be processed in different regions (e.g. CC with PAL M). The Closed Caption data is assumed to conform with the ITU standards EIA-608 and EIA-744-A. WSS data is assumed to conform with ETS 300 294 (2nd edition, May 1996).

**4.10.1 Closed Caption**

The closed caption data stream contains different data services. In field 1 (line 21) the captions CC1 and CC2 and the text pages T1 and T2 are transmitted whereas in field 2 (line 284) caption CC3, CC4, text T3, T4 and the XDS data are transmitted. For more information please refer to the above mentioned standards.

Raw CC as well as prefiltered data is provided alternatively. With the built-in programmable XDS-Filter (**XDSCLS**), the program-rating information ('V-chip') as well

## System Description

as others can be filtered out. The XDS filter reduce traffic on the I<sup>2</sup>C bus and save calculation power of the main controller. If no class filter is selected, all incoming data (both fields) is sliced and provided by the I<sup>2</sup>C interface. When one or more class filters are chosen, only data in field 2 is sliced. Any combination of class filters is allowed. Each 'CLASS' is divided into 'TYPES' which can be sorted out by the XDS-secondary filter (**XDSTPE**). Any combination of type filter is allowed. Some type filter require an appropriate class filter.

### 4.10.2 Widescreen Signalling (WSS)

In WSS mode (**SERVICE='1'**) no filtering is possible. All sliced data is passed to the output registers. In this case **XDSTPE** selects the field number of the data to be sliced. In Europe WSS carries for instance information about aspect ratio and movie mode.

### 4.10.3 Indication Of New Data

The sliced and possibly filtered data is available in **DATAA** and **DATAB**. The corresponding status bits are **DATAV** and **SLFIELD**. When new data were received, **DATAV** becomes '1' and the controller must read **DATAA**, **DATAB** and the status information. After both data bytes were read **DATAV** becomes '0' until new data arrives. It must be ensured that the data polling is activated once per field (16.7 or 20 ms) or every second field (33.3 or 40 ms), depending on the slicer configuration and inset field frequency. The field number of the data in **DATAA** and **DATAB** can be found in **SLFIELD**. If one or more XDS-class filter are activated, **SLFIELD** contains always '1'.

Additionally pin 10 (INT) may flag that new data is received. Default this pin is in tri-state mode to be compatible with Micronas' SDA9388X/9389X PIP devices. It can also be configured by **IRQCON** to output a single short pulse when new data is available or behave equal to **DATAV**. In the last case the output remains active until the two data registers **DATAA/DATAB** are read. Both modes are useful to avoid continuous polling of the I2C bus. The micro-controller initiates I2C transfers only when required.

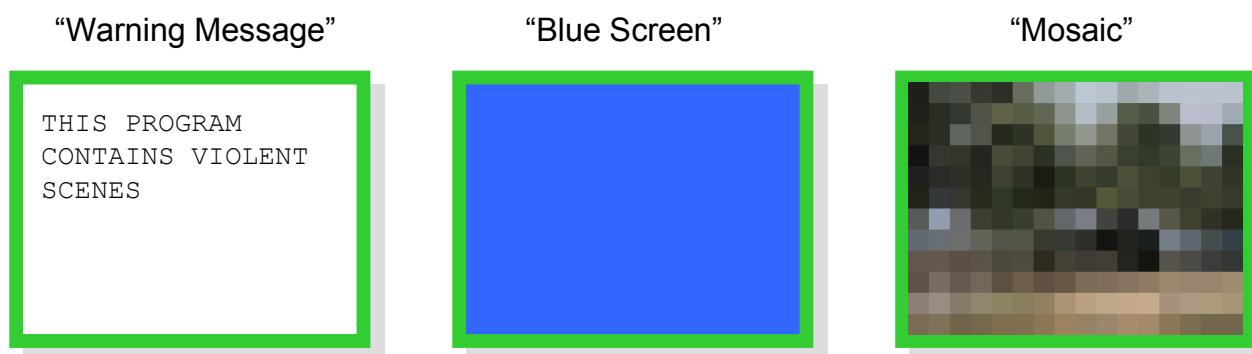
```
while (1){
  i2c_read pip4_adr, status_reg_adr, status
  if (status & data_valid_mask) {
    i2c_read_inc pip4_adr, dataa_reg_adr, dataa, datab, status
    process_data dataa, datab, status
  }
}
```

**Figure 4-18** Example in pseudo-code for reading the data

#### 4.10.4 Violence Protection

The rating information is sent in the program rating packet of the current (sometimes future) class in the XDS data stream. If only this information is desired the corresponding XDS filter (class 01h, type 05h) should be used to suppress other data. The class/packet bytes (0105h) precede the 2 bytes rating information. Each sequence is closed by the end-of-packet byte (0fh) and a checksum. This checksum complements the byte truncated sum of all bytes to 00h. Except comparison of the received rating with the adjusted user rating threshold the micro-controller should check the parity of each byte and validate the checksum to avoid miss-interpretation of wrong received data.

The SDA 9488X/SDA 9588X offer some alternatives to blocking the PIP channel completely by switching it off (fig. (4-19)).



**Figure 4-19 Possibilities of PiP blocking**

The Mosaic mode (**MOSAIC**) hides details of the picture by reduced sharpness and increased aliasing. The picture looks scrambled and is less perceptible.

5 Application Examples

The following two figures show 100/120Hz applications with the Micronas Featurebox SDA 9400/01. As the chip supports two I2C addresses and owns a RGB switch dual-PiP applications are easy to implement. The arrangement for best possible performance is shown in the fig. (5-1).

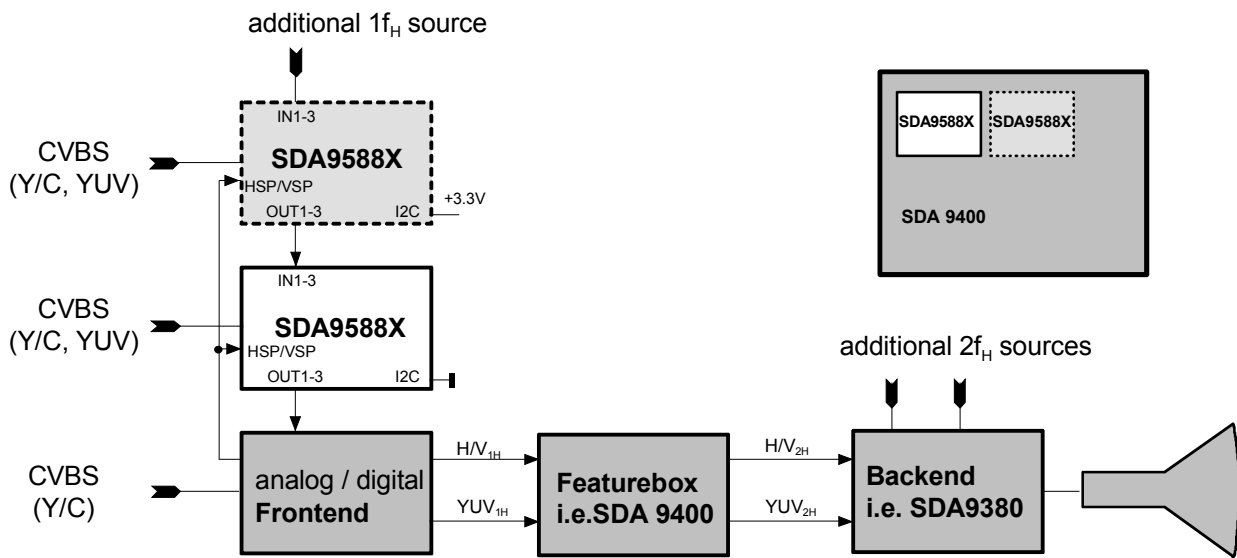


Figure 5-1 SDA 9588X application with insertion in front of the Featurebox

The output of two 'OCTOPUS' are connected to the YUV (or RGB) input of the video processor of the main channel. Due to the 4:2:2 processing within the SDA 9400 the inset picture remains brilliant.

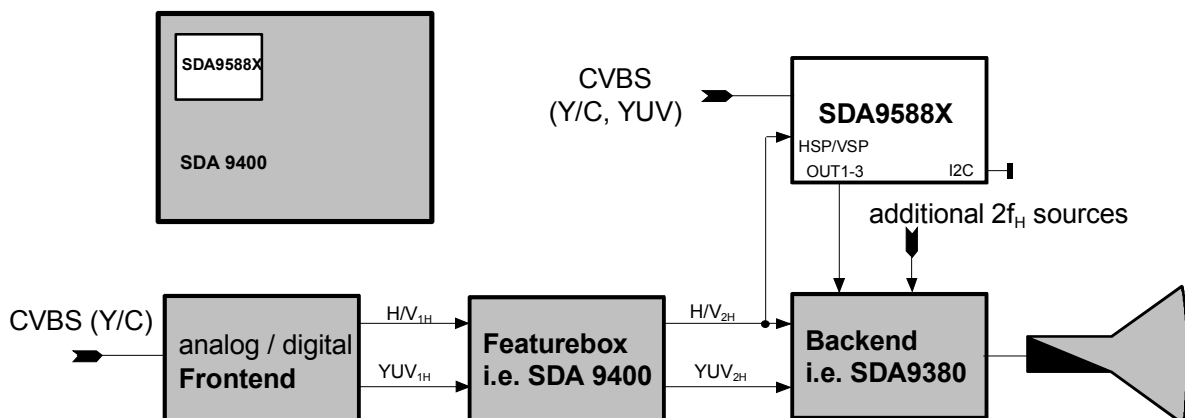


Figure 5-2 SDA 9588X application with insertion behind the featurebox

Connecting of a SDA 9588X directly to the RGB input of the RGB processor is possible as well. One picture is generated from SDA 9588X device, the other one from the featurebox. This cheap implementation preserves the chroma of inset channel at its full bandwidth, although only field mode is possible for PiP picture. The output of an OSD/ Text processor may be fed to the RGB switch of the SDA 9588X.

## 6 I<sup>2</sup>C Bus

### 6.1 I<sup>2</sup>C Bus Address

Write Address1	1	1	0	1	0	1	1	0	(D6h)
Read Address1	1	1	0	1	0	1	1	1	(D7h)

**Table 6-1 Primary Address (pin 9='low-level')**

Write Address2	1	1	0	1	1	1	1	0	(DEh)
Read Address2	1	1	0	1	1	1	1	1	(DFh)

**Table 6-2 Secondary Address (pin 9 = 'high-level')**

### 6.2 I<sup>2</sup>C-Bus Format

<b>WRITE</b>	S	1101x110	A	Subaddress	A	Data Byte		A	****	A	P
<b>READ</b>	S	1101x110	A	Subaddress	A	Sr	1101x111	A	Data Byte n	NA	P
S: Start condition / Sr Repeated start condition / A: Acknowledge / P: Stop condition / NA: No Acknowledge											

Write operation is possible at registers 00h-21h only, read operation is possible at registers 28, 2Ah-2Ch only. An automatic address increment function is implemented.

6.3 I<sup>2</sup>C bus Command Table

Subadd (Hex)	Data Byte							
	D7	D6	D5	D4	D3	D2	D1	D0
00h	PIPON	CPOS1	CPOS0	YUVSEL	READD	PROGEN	FIESEL1	FIESEL0
01h	POSHOR7	POSHOR6	POSHOR5	POSHOR4	POSHOR3	POSHOR2	POSHOR1	POSHOR0
02h	POSVER7	POSVER6	POSVER5	POSVER4	POSVER3	POSVER2	POSVER1	POSVER0
03h	VFP3	VFP2	VFP1	VFP0	HFP3	HFP2	HFP1	HFP0
04h	DISPSTD1	DISPSTD0	FREEZE	MOSAIC	SIZEHOR1	SIZEHOR0	SIZEVER1	SIZEVER0
05h	FPSTD1	FPSTD0	PIPBG1	PIPBG0	FMACTP	HZOOM2	HZOOM1	HZOOM0
06h	HSPINV	VSPINV	VSPNSRQ	VSPDEL4	VSPDEL3	VSPDEL2	VSPDEL1	VSPDEL0
07h	FRSEL	INFRM	VPSRED	FRWIDTH2	FRWIDTH1	FRWIDTH0	FRWIDV1	FRWIDV0
08h	RGBINS1	RGBINS0	VERBLK	SELDOWN	SELDEL3	SELDEL2	SELDEL1	SELDEL0
09h	POSCOR	DISPMOD1	DISPMOD0	CLPDEL4	CLPDEL3	CLPDEL2	CLPDEL1	CLPDEL0
0Ah	AGCRES	AGCMD1	AGCMD0	AGCVAL3	AGCVAL2	AGCVAL1	AGCVAL0	NOSIGB
0Bh	CVBSEL1	CVBSEL0	CLMPID1	CLMPID0	CLMPIST1	CLMPIST0	LMOFST1	LMOFST0
0Ch	PLLITC1	PLLITC0	NSRED1	NSRED0	YCDEL3	YCDEL2	YCDEL1	YCDEL0
0Dh	CSTAND2	CSTAND1	CSTAND0	CSTDEX1	CSTDEX0	LOCKSP	CKILL1	CKILL0
0Eh	BGPOS	SCMIDL0	DEEMP1	DEEMP0	COLON	ACCFIX	CHRBW1	CHRBW0
0Fh	IFCOMP1	IFCOMP0	HUE5	HUE4	HUE3	HUE2	HUE1	HUE0
10h	SATNR	FMACTI	CPLLOF	SCADJ4	SCADJ3	SCADJ2	SCADJ1	SCADJ0
11h	CONADJ3	CONADJ2	CONADJ1	CONADJ0	BLKLR3	BLKLR2	BLKLR1	BLKLR0
12h	BRTADJ3	BRTADJ2	BRTADJ1	BRTADJ0	BLKLG3	BLKLG2	BLKLG1	BLKLG0
13h	TRIOUT	REFINT	BLKINVR	BLKINVB	BLKLB3	BLKLB2	BLKLB1	BLKLB0
14h	PKLR7	PKLR6	PKLR5	PKLR4	PKLR3	PKLR2	PKLR1	PKLR0
15h	PKLG7	PKLG6	PKLG5	PKLG4	PKLG3	PKLG2	PKLG1	PKLG0
16h	PKLB7	PKLB6	PKLB5	PKLB4	PKLB3	PKLB2	PKLB1	PKLB0

## I2C Bus

Subadd (Hex)	Data Byte							
	D7	D6	D5	D4	D3	D2	D1	D0
17h	MAT1	MAT0	BGY1	BGY0	FRY3	FRY2	FRY1	FRY0
18h	OUTFOR	UVPOLAR	BGU1	BGU0	FRU3	FRU2	FRU1	FRU0
19h	(reserved)	BGFRC	BGV1	BGV0	FRV3	FRV2	FRV1	FRV0
1Ah	SATADJ3†	SATADJ2	SATADJ1	SATADJ0†	YPEAK2	YPEAK1	YPEAK0	YCOR
1Bh	XDSCLS4	XDSCLS3	XDSCLS2	XDSCLS1	XDSCLS0	XDSTPE2	XDSTPE1	XDSTPE0
1Ch	UVSEQ	MPIPBG	SERVICE	SELLNR1	SELLNR0	IRQCON2	IRQCON1	IRQCON0
1Dh	(reserved)	(reserved)	(reserved)	(reserved)	(reserved)	PIPLK	PALIDL1	PALIDL0
1Eh	POSOFV2	POSOFV1	POSOFV0	POSOFH4	POSOFH3	POSOFH2	POSOFH1	POSOFH0
1Fh	(reserved)	(reserved)	(reserved)	VSHRNK4	VSHRNK3	VSHRNK2	VSHRNK1	VSHRNK0
20h	(reserved)	(reserved)	(reserved)	HSHRNK4	HSHRNK3	HSHRNK2	HSHRNK1	HSHRNK0
21h	(reserved)	(reserved)	(reserved)	(reserved)	(reserved)	(reserved)	CLPLEN1	CLPLEN0
28h	FRMMD	PIPSTAT	SYNCST1	SYNCST0	CKSTAT	STDET2	STDET1	STDET0
2Ah	DATAA7	DATAA6	DATAA5	DATAA4	DATAA3	DATAA2	DATAA1	DATAA0
2Bh	DATAB7	DATAB6	DATAB5	DATAB4	DATAB3	DATAB2	DATAB1	DATAB0
2Ch			DEVICE1	DEVICE0	PRNSTD	PALID	DATAV	SLFIELD

After power on the grey marked data bits are set to '1', all other to '0'.

## 6.4 I<sup>2</sup>C Bus Command Description

### Subaddress 00h

PIPON	PIP on
D7	switches the PIP insertion on
0	PIP insertion off
1	PIP insertion on

CPOS		Coarse position
D6	D5	coarse positioning of the picture
0	0	upper left position
0	1	upper right position
1	0	lower left position
1	1	lower right position

YUVSEL	YUV Select
D4	select YUV mode
0	CVBS or Y/C source
1	YUV source

READD	Read Double Mode
D3	double read frequency for compatibility with systems that use 2fH (e.g. 100 Hz, progressive)
0	PIP display with single read frequency and 2x oversampling
1	PIP display with double read frequency



<b>PROGEN</b>	<b>Progressive Scan Enable</b>
D2	for compatibility with progressive scan systems
0	each line of PIP is read once (normal operation)
1	each line of PIP is read twice (line doubling operation)

<b>FIESEL</b>		<b>Field Select</b>
D1	D0	set field or frame display mode
0	0	frame mode (if possible)
0	1	field mode (first field only)
1	0	field mode (second field only)
1	1	field mode (one of both)

**Subaddress 01h**

<b>POSHOR</b>	<b>Horizontal Picture Position</b>
D7-D0	horizontal position adjustment of the PIP in steps of 4 pixel shift direction depends on the coarse positioning of the picture

**Subaddress 02h**

<b>POSVER</b>	<b>Vertical Picture Position</b>
D7-D0	vertical position adjustment of the PIP in steps of 1 lines shift direction depends on the coarse positioning of the picture

## Subaddress 03h

HFP				Horizontal Fine Positioning	
D7	D6	D5	D4	changes the position of the horizontal acquisition window by steps of 2 pixel	Note
1	0	0	0	-16 pixel (-0.8 $\mu$ s), most right position of the image	values refer to the undecimated picture
			..		
0	0	0	0	0 pixel, nominal center position	
			..		
0	1	1	1	+14 pixel (0.7 $\mu$ s), most left position	

VFP				Vertical Fine Positioning	
D3	D2	D1	D0	changes the position of the vertical acquisition window by steps of 1 line	Note
1	0	0	0	-8 lines, most upper position of the image	values refer to the undecimated picture
			..		
0	0	0	0	0 lines, nominal center position	
			..		
0	1	1	1	+7 lines, most right position	

## Subaddress 04h

DISPSTD		Display Standard
D7	D6	selects the line standard of PIP display
0	0	PIP depends on detected inset standard
0	1	PIP display is always in 625 line mode
1	0	PIP display is always in 525 line mode
1	1	freeze last detected display standard and size

<b>FREEZE</b>		<b>Freeze Picture</b>
D5		interrupts the inset picture writing and displays still picture
0		live picture
1		still picture

<b>MOSAIC</b>		<b>Mosaic Mode</b>
D4		hides picture details, intended for use with parental control
0		mosaic mode off
1		mosaic mode on

<b>SIZEHOR</b>			<b>Horizontal Size</b>
D3	D2	horizontal decimation	
0	0	reduction = 2	
0	1	reduction = 3	
1	0	reduction = 4	
1	1	reduction = 6	

<b>SIZEVER</b>			<b>Vertical Size</b>
D1	D0	vertical decimation	
0	0	reduction = 2	
0	1	reduction = 3	
1	0	reduction = 4	
1	1	reduction = 6	

## Subaddress 05h

FPSTD		Force Parent Standard
D7	D6	forces the parent standard to one of the following modes
0	0	auto-detect parent standard
0	1	50Hz/625 lines parent standard forced
1	0	60Hz/525 lines parent standard forced
1	1	freeze last detected standard

PIPBG		PIP Background Display
D5	D4	selects the background display
0	0	PIP visible, no background display
0	1	PIP invisible, background display in PIP
1	0	PIP visible, full screen background display
1	1	PIP invisible, background display in PIP and full screen background

FMACTP	Frame Mode Activation Parent
D3	selects the parent condition for the activation of the frame mode
0	Frame mode active for standard parent video sources only
1	Frame mode active for some nonstandard sources also

HZOOM			Horizontal Zoom
D2	D1	D0	selects the parent (display) clock frequency
0	0	0	27.34 MHz
0	0	1	20.25 MHz
0	1	0	35.27 MHz
0	1	1	25.43 MHz
1	0	0	26.67 MHz
1	0	1	20.63 MHz
1	1	0	34.17MHz
1	1	1	28.04 MHz

**Subaddress 06h**

<b>HSPINV</b>	<b>Horizontal Sync Pulse Inversion</b>
D7	inverts the polarity of HSP
0	no inversion, raising edge is sync reference
1	HSP inverted, falling edge is sync reference

<b>VSPINV</b>	<b>Vertical Sync Pulse Inversion</b>
D6	inverts the polarity of VSP
0	no inversion, raising edge is sync reference
1	VSP inverted, falling edge is sync reference

<b>VSPNSRQ</b>	<b>Vertical Sync Pulse Noise Reduction</b>
D5	activates automatic V insertion that generates vertical sync pulses in case of missing external VSP
0	on
1	off

<b>VSPDEL</b>					<b>Vertical Sync Pulse Delay</b>	
D4	D3	D2	D1	D0	delay of the vertical sync pulse in steps of 128 parent clocks	Note
0	0	0	0	0	no delay (0)	delay depends on HZOOM
				...		
1	1	1	1	1	maximum delay, 4096 clocks of parent frequency	

**Subaddress 07h**

<b>FRSEL</b>	<b>Frame Select</b>
D7	selects between the normal frame and the shaded frame
0	normal frame
1	shaded frame with 3D impression

<b>INFRM</b>		<b>Inner Frame activation</b>
D6		actives inner frame (4 pix. width, 2 lines height) for displ. mode 2 and 3
0		inner frame off
1		inner frame on

<b>VPSRED</b>		<b>Vertical Picture Size Reduction</b>
D5		reduces vertical picture size to suppress black bars in 16:9 programs
0		no reduction
1		reduction on

<b>FRWIDTH</b>			<b>Frame Width Horizontal</b>
D4	D3	D2	adjusts the horizontal width of the PIP frame in steps of one pixel
0	0	0	no horizontal frame
		...	
1	1	1	7 pixel

<b>FRWIDV</b>		<b>Frame Width Vertical</b>
D1	D0	adjusts the vertical width of the PIP frame in steps of one line
0	0	no vertical frame
	...	
1	1	3 lines

**Subaddress 08h**

<b>RGBINS</b>		<b>RGB Insertion</b>
D7	D6	controls the insertion of external RGB/YUV sources
0	0	no external insertion possible, FSW input inactive
0	1	external insertion forced (FSW = 1)
1	0	external insertion with FSW possible (priority of FSW input)
1	1	external insertion with FSW possible (priority of PIP)

<b>VERBLK</b>	<b>Vertical Blanking</b>
D5	switches the vertical blanking mode
0	blanking level at DAC outputs only during line-blanking intervals
1	blanking level at DAC outputs during line-blanking intervals and field-blanking intervals, 16 lines following the parent vertical synchronization pulse are blanked

<b>SELDOWN</b>	<b>Select Down</b>
D4	switches the driver type at the output of the SEL pin
0	open source output
1	TTL output

<b>SELDEL</b>				<b>Select Delay</b>
D3	D2	D1	D0	adjusts the delay of select signal
1	0	0	0	-8 clock periods of display clock
			..	
0	0	0	0	0 clock periods of display clock
			..	
0	1	1	1	+7 clock cycles of display clock

**Subaddress 09h**

<b>POSCOR</b>	<b>Position Correction</b>
D7	activates correction of display position
0	position correction disabled
1	position correction enabled

DISPMOD		Display Mode
D6	D5	selects display modes with equal pictures
0	0	single PiP mode
0	1	3 x1/9 PiP (same content)
1	0	4 x1/16 PiP (same content)
1	1	(reserved)

CLPDEL					Clamping Delay
D4	D3	D2	D1	D0	delay of the clamping pulse for the external RGB/YUV inputs in steps of 8 parent clock periods
0	0	0	0	0	no delay (0)
				...	
1	1	1	1	1	maximum delay, 256 clock periods of parent frequency

### Subaddress 0Ah

AGCRES	Automatic Gain Control Reset
D7	resets AGC
0	normal operation
1	reset of AGC

AGCMD		AGC Mode
D6	D5	controls the AGC operation
0	0	evaluation of sync height and ADC overflow
0	1	evaluation of sync height only
1	0	evaluation of ADC overflow only
1	1	AGC fixed (gain depends on AGCVAL)



AGCVAL				Automatic Gain Control Value
D4	D3	D2	D1	AGC value for fixed mode (AGCMD='11')
0	0	0	0	input voltage 0.5 Vpp
			..	
1	0	0	0	input voltage 1 Vpp
			..	
1	1	1	1	input voltage 1.5 Vpp

NOSIGB	No Signal Behavior
D0	controls behavior if synchronization is not possible (no source applied)
0	noisy picture
1	colored background

### Subaddress 0Bh

CVBSEL		CVBS Select
D7	D6	select CVBS source
0	0	CVBS1
0	1	CVBS2
1	0	Y/C (Y@CVBS2 / C@CVBS3)
1	1	CVBS3

CLMPID		Clamping Duration
D5	D4	adjusts duration of clamping pulse for ADC (inset channel)
0	0	0.5 $\mu$ s
0	1	0.9 $\mu$ s
1	0	1.2 $\mu$ s
1	1	1.5 $\mu$ s

<b>CLMPIST</b>		<b>Clamping Pulse Start</b>
D3	D2	adjusts delay of clamping pulse for ADC referred to the horizontal sync
0	0	1.0 $\mu$ s
0	1	1.5 $\mu$ s
1	0	2.0 $\mu$ s
1	1	2.5 $\mu$ s

<b>LMOFST</b>		<b>Luminance Offset</b>
D1	D0	modifies black to blank level offset
0	0	no offset
0	1	offset of 16 LSB
1	0	offset of -8 LSB
1	1	offset of -16 LSB

**Subaddress 0Ch**

<b>PLLITC</b>		<b>Inset PLL Time Constant</b>
D7	D6	switches the time constant of the inset PLL
0	0	VCR1 (very fast)
0	1	VCR2
1	0	TV1
1	1	TV2 (very slow)

<b>NSRED</b>		<b>Noise Reduction Inset PLL</b>	
D5	D4	selects the level of noise reduction	Note
0	0	noise reduction disabled	
0	1	weak noise reduction	may cause trouble for VCR signals
1	0	heavy noise reduction	
1	1	medium noise reduction	

YCDEL				Y/C Delay
D3	D2	D1	D0	adjusts the delay between luminance and chrominance
1	0	0	0	-8 pixel (-0.4 $\mu$ s with respect to undecimated picture)
			..	
0	0	0	0	0 pixel
			..	
0	1	1	1	+7 pixel (0.35 $\mu$ s)

**Subaddress 0Dh**

CSTAND			Color Standard
D7	D6	D5	forces the desired color standard
0	0	0	automatic standard identification
0	0	1	NTSC-M
0	1	0	PAL-N (Argentina)
0	1	1	PAL-M
1	0	0	NTSC44
1	0	1	PAL-B
1	1	0	SECAM
1	1	1	PAL60

CSTDEX		Color Standard Exclusion
D4	D3	excludes standards from automatic standard identification
0	0	ignore PAL-M / PAL-N
0	1	ignore SECAM, PAL B/G, PAL60, NTSC4.4
1	0	ignore PAL-M / PAL-N / NTSC-M
1	1	ignore PAL-M / PAL-N / NTSC4.4 / PAL60

LOCKSP	Standard Identification Speed
D2	sets the speed of the color standard recognition
0	medium
1	fast

CKILL		Color Killer Threshold	
D1	D0	damping of color carrier to switch color off	Note
0	0	-30 dB	only valid if color killer active (COLON='0'), values are approximative
0	1	-18 dB	
1	0	-24 dB	
1	1	color always off	

**Subaddress 0Eh**

BGPOS	Burst Gate Position
D7	adjusts position of burst gate
0	normal position
1	0.5 $\mu$ s delayed

SCMIDL	SECAM Identification Level
D6	changes SECAM identification sensitivity
0	default
1	enhanced

DEEMP		Deemphase Selection
D5	D4	adjusts SECAM deemphase filter
0	0	Filter1
0	1	ITU recommendation
1	0	Filter2
1	1	Filter3

COLON	Color On
D3	disable color killer
0	color killer active
1	color forced on

ACCFIX	Disable Automatic Chroma Control
D2	disables the automatic chroma control (ACC)
0	ACC active
1	ACC fixed (ACC set to nominal value)

CHRBW		Chroma Bandwidth		
D1	D0	PAL	SECAM	remark
0	0	wide	small	adjusts chroma bandwidth
0	1	medium	medium	
1	0	reserved		
1	1	small	wide	

**Subaddress 0Fh**

IFCOMP		IF-Compensation Filter
D7	D6	equalizes the IF-stage characteristic
0	0	no filtering
0	1	chroma bandpass active
1	0	IF-compensation bandpass (6dB/octave)
1	1	reserved

HUE						Hue Control	
D5	D4	D3	D2	D1	D0	phase of color subcarrier for NTSC	remark
1	0	0	0	0	0	-44.8°	skin color becomes greenish
					..		
0	0	0	0	0	0	0°	
					..		
0	1	1	1	1	1	43.4°	skin color becomes redish

## Subaddress 10h

<b>SATNR</b>	<b>Satellite Noise Reduction</b>
D7	stabilizes the horizontal PLL for bad satellite signals („fishes“)
0	disabled
1	enabled

<b>FMACTI</b>	<b>Frame Mode Activation Inset</b>
D6	sets the inset condition for the activation of the frame mode
0	frame mode only active for standard inset video sources
1	enhanced frame mode activation range

<b>CPLLOF</b>	<b>Chroma PLL Off</b>
D5	opens loop of chroma PLL (only for test and servicing)
0	chroma PLL active
1	chroma PLL opened (free running oscillator)

<b>SCADJ</b>					<b>Color Subcarrier Adjustment</b>
D4	D3	D2	D1	D0	color subcarrier frequency fine adjustment
0	0	0	0	0	max. negative deviation (-150 ppm)
				...	
0	0	1	1	1	default (for nominal crystal frequency
				...	
1	1	1	1	1	max. positive deviation (+310 ppm)

## Subaddress 11h

<b>CONADJ</b>				<b>Contrast Adjustment</b>
D7	D6	D5	D4	adjusts the contrast of the picture, acts on OUT1-OUT3
0	0	0	0	nominal contrast
			..	
1	1	1	1	+30% contrast increase

BLKLR				Blanking Level Red
D3	D2	D1	D0	adjusts the pedestal level of the OUT1 channel in steps of 0.5LSB
0	0	0	0	no pedestal
			..	
1	1	1	1	+7.5LSB offset

**Subaddress 12h**

BRTADJ				Brightness Adjustment
D7	D6	D5	D4	adjusts the brightness of the picture, acts on OUT1-OUT3 in RGB mode (YUVFOR = '0') and on OUT1 in YUV mode (YUVFOR = '1')
0	0	0	0	nominal brightness
			..	
1	1	1	1	+20% brightness increase

BLKLG				Blanking Level Green
D3	D2	D1	D0	adjusts the pedestal level of the OUT2 channel in steps of 0.5LSB
0	0	0	0	no pedestal
			..	
1	1	1	1	+7.5LSB offset

**Subaddress 13h**

TRIOUT	Tristate Output
D7	sets OUT1-OUT3 to tristate mode (high resistance)
0	normal operation, outputs are active
1	pins OUT1-3 are in tri-state mode

REFINT	Refresh Intervall	
D6	changes the refresh rate of eDRAM	Note
0	normal refresh	let it to this default value
1	fast refresh	

BLKINVR	Blanking Inversion Red	
D5	inverts the sign of the OUT1 channel offset (BLKLR)	
0	offset added during the active picture	
1	offset added during blanking	

BLKINVB	Blanking Inversion Blue	
D4	inverts the sign of the OUT3 channel offset (BLKLB)	
0	offset added during the active picture	
1	offset added during blanking	

BLKLB				Blanking Level Blue
D3	D2	D1	D0	adjusts the pedestal level of the OUT3 channel in steps of 0.5LSB
0	0	0	0	no pedestal
			..	
1	1	1	1	+7.5LSB offset



## Subaddress 14h

PKLR								Peak Level Red	
D7	D6	D5	D4	D3	D2	D1	D0	peak to peak output voltage of the OUT1 channel	Note
0	0	0	0	0	0	0	0	0.3 V <sub>pp</sub>	values refer to contrast (CONADJ) and brightness (BRTADJ) at minimum
							...		
1	1	0	0	0	0	0	0	1 V <sub>pp</sub>	
							...		
1	1	1	1	1	1	1	1	1.2 V <sub>pp</sub>	

## Subaddress 15h

PKLG								Peak Level Green	
D7	D6	D5	D4	D3	D2	D1	D0	peak to peak output voltage of the OUT2 channel	Note
0	0	0	0	0	0	0	0	0.3 V <sub>pp</sub>	values refer to contrast (CONADJ) and brightness (BRTADJ) at minimum
							...		
1	1	0	0	0	0	0	0	1 V <sub>pp</sub>	
							...		
1	1	1	1	1	1	1	1	1.2 V <sub>pp</sub>	

## Subaddress 16h

PKLB								Peak Level Blue	
D7	D6	D5	D4	D3	D2	D1	D0	peak to peak output voltage of the OUT2 channel	Note
0	0	0	0	0	0	0	0	0.3 V <sub>pp</sub>	values refer to contrast (CONADJ) and brightness (BRTADJ) at minimum
							...		
1	1	0	0	0	0	0	0	1 V <sub>pp</sub>	
							...		
1	1	1	1	1	1	1	1	1.2 V <sub>pp</sub>	

## Subaddress 17h

MAT		RGB Matrix Select
D7	D6	selects the RGB matrix coefficients for YUV to RGB conversion
0	0	EBU- Matrix
0	1	NTSC-Japan Matrix
1	0	NTSC-USA Matrix
1	1	(reserved)

BGY	Background Color Y
D5-D4	adjusts the Y background color component the values gives the two MSBs of the Y background signal

FRY	Frame Color Y
D3-D0	adjusts the Y frame color component the value gives the 4 MSBs of the Y frame signal

**Subaddress 18h**

<b>OUTFOR</b>	<b>Output Format</b>
D7	switches between RGB output and YUV output
0	RGB output signals, matrix active
1	YUV output signals

<b>UVPOLAR</b>	<b>UV Polarity</b>
D6	switches between UV or inverted UV output, has no influence in RGB mode
0	+U / +V output
1	-U / -V output

<b>BGU</b>	<b>Background Color U</b>
D5-D4	adjusts the U background color component the values gives the two MSBs of the U background signal

<b>FRU</b>	<b>Frame Color U</b>
D3-D0	adjusts the U frame color component the value gives the 4 MSBs of the U frame signal

**Subaddress 19h**

<b>BGFRC</b>	<b>Background Frame Color</b>
D6	selects background color table or frame color table for background color
0	background color according to BGY, BGU, BGV
1	background color according to FRY, FRU, FRV

<b>BGV</b>	<b>Background Color V</b>
D5-D4	adjusts the V background color component the values gives the two MSBs of the V background signal

FRV	Frame Color V
D3-D0	adjusts the V frame color component the value gives the 4 MSBs of the V frame signal

**Subaddress 1Ah**

SATADJ				Color Saturation Adjustment
D7	D6	D5	D4	adjusts the color saturation in steps of x/8
0	0	0	0	no color
			..	
1	0	0	0	nominal saturation
			..	
1	1	1	1	1.875 times saturation

YPEAK			Y Peaking Adjustment
D3	D2	D1	adjusts luminance peaking
0	0	0	no peaking
0	1	1	recommended value
1	1	1	strongest peaking

YCOR	Y Coring Enable
D0	suppresses noise introduced by peaking
0	coring off
1	1LSB coring

## Subaddress 1Bh

XDSCLS					XDS Class Select
D7	D6	D5	D4	D3	Closed Caption XDS-Primary Filter (Class)
0	0	0	0	0	transparent, no filtering
1	X	X	X	X	'Current' class selected
X	1	X	X	X	'Future' class selected
X	X	1	X	X	'Channel' class selected
X	X	X	1	X	'Miscellaneous' class selected
X	X	X	X	1	'Public Services' class selected

XDSTPE			XDS Type Select			
D2	D1	D0	XDS-Secondary Filter Type	Meaning	WSS field	Note
0	0	0	all	no filtering	0	behavior of these bits depends on selected data-service
0	0	1	05h	program rating	1	
0	1	0	01h, 04h	time information only	0/1	
0	1	1	40h	out of band only	0/1	
1	0	0	01h, 02h, 03h, 04h, 0Dh, 40h	VCR information	0/1	
1	0	1	01h, 04h, 05h	time information and program rating	0/1	
1	1	0	05h, 40h	out of band and program rating	0/1	
1	1	1	01h, 02h, 03h, 04h, 05h, 0Dh, 40h	VCR information and program rating	0/1	

## Subaddress 1Ch

UVSEQ	UV Sequence
D7	changes the UV multiplex sequence (valid only if YUVSEL='1')
0	U and V are correct
1	U and V are exchanged

<b>MPIPBG</b>	<b>Multi-PIP Background</b>
D6	selects the background color for multi-PIP mode
0	black (8 IRE)
1	same as background color

<b>SERVICE</b>	<b>Data Service Select</b>
D5	selects data service for slicing
0	Closed Caption
1	Widescreen Signalling (WSS)

<b>SELLNR</b>		<b>Select Line Number</b>	
D4	D3	line number of data service field 0 (field1)	remark
0	0	[NTSC] 20 (283), [PAL M] 17 (280)	WSS
0	1	[NTSC] 21 (284), [PAL M] 18 (281)	Closed Caption
1	0	[PAL B/G] 22 (329)	Closed Caption
1	1	[PAL B/G] 23 (330)	WSS

<b>IRQCON</b>			<b>Interrupt Request Pin Configuration</b>	
D2	D1	D0	output of INT pin is:	remark
0	0	0	tri-state (high-Z)	
0	0	1	interrupt, when new data received (pos. polarity)	pulse length is approximately 2 $\mu$ s
0	1	0	interrupt, when new data received (neg. polarity)	
0	1	1	equivalent to DATAV for both registers (pos. polarity)	
1	0	0	equivalent to DATAV for both registers (neg. polarity)	
1	0	1	inset V-pulse (50ns)	pulse length is 50ns
1	1	0	inset field	high=first field, low = second field
1	1	1	inset clamping pulse	only for test purpose

## Subaddress 1Dh

PIPBLK		PIP Blank
D3		blanks the picture by setting it to background color
0		no blank
1		blanks the PIP

PALIDL		PAL ID Level
D1	D0	sensitivity of identification of PAL/NTSC signals
0	0	high rejection of PAL/NTSC
	..	
1	1	low rejection of PAL/NTSC

## Subaddress 1Eh

POSOFV			Position Offset Vertical
D7	D6	D5	vertical position offset in steps of 4 lines
1	0	0	-16 lines
		...	
0	0	0	0 lines
		...	
0	1	1	+12 lines

POSOFH					Position Offset Horizontal
D4	D3	D2	D1	D0	horizontal position offset in steps of 16 pixel
1	0	0	0	0	-256 pixel
				...	
0	0	0	0	0	0 pixel
				...	
0	1	1	1	1	+240 pixel

## Subaddress 1Fh

VSHRNK					Vertical Shrink	
D4	D3	D2	D1	D0	changes the vertical size in steps of 2 lines	Note
0	0	0	0	0	no shrink, picture size according to SIZEVER	max. usable value depends on SIZEVER
				...		
1	1	1	1	1	max. possible shrink	

## Subaddress 20h

HSHRNK					Horizontal Shrink	
D4	D3	D2	D1	D0	changes the horizontal size in steps of 4 pixel	Note
0	0	0	0	0	no shrink, picture size according to SIZEHOR	max. usable value depends on SIZEVER
				...		
1	1	1	1	1	max. possible shrink	

## Subaddress 21h

CLPLEN		Clamping Pulse Length		
D1	D0	clamping pulse length	Blanking Duration	Note
0	0	5us	10.5 us	the clamping pulse length and the blanking is also influenced by the setting of READD and HZOOM
0	1	3.75us	7.9 us	
1	0	2.5us	5.2 us	
1	1	1.25us	2.6 us	



## Subaddress 28h

<b>FRMMD</b>	<b>Frame Mode Indication</b>
D7	PIP displays field or frame mode
0	field mode, one field is repeated twice
1	frame mode, both fields are displayed

<b>PIPSTAT</b>	<b>PIP Status</b>
D6	indication of visibility of PIP, corresponds to PIPON
0	PIP off
1	PIP on

<b>SYNCST</b>		<b>Inset Synchronization Status</b>
D5	D4	inset synchronization PLL is
0	0	not locked to CVBS signal
0	1	
1	0	locked to CVBS signal (60 Hz)
1	1	locked to CVBS signal (50 Hz)

<b>CKSTAT</b>	<b>Color Killer Status</b>
D3	chroma is
0	off
1	on

STDET			Standard Detection
D2	D1	D0	detected color standard
0	0	0	nonstandard or standard not detected
0	0	1	NTSC-M
0	1	0	PAL-M
0	1	1	NTSC44
1	0	0	PAL60
1	0	1	PAL-N
1	1	0	SECAM
1	1	1	PAL-B/G

**Subaddress 2Ah**

DATAA	First Data Byte
D7-D0	first word of sliced data, D7 = MSB, D0 = LSB

**Subaddress 2Bh**

DATAB	Second Data Byte
D7-D0	second word of sliced data, D7 = MSB, D0 = LSB

**Subaddress 2Ch**

DEVICE		Device Identification
D5	D4	PIP IC
0	0	SDA 9488X (PIP IV Basic)
0	1	SDA 9489X (PIP IV Advanced)
1	0	SDA 9588X (OCTOPUS)
1	1	SDA 9589X (SOPHISTIUS)

<b>PRNSTD</b>	<b>Parent Standard Detection</b>	
D3	status of parent (display) standard detection	
0	60Hz field frequency detected	
1	50Hz field frequency detected	

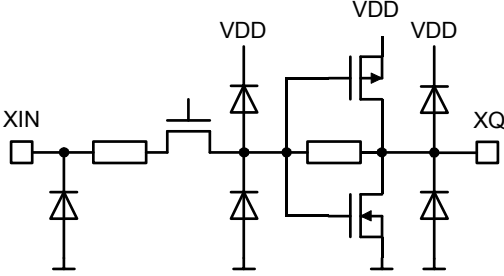
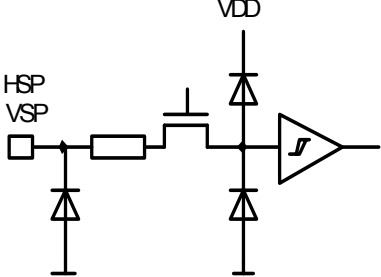
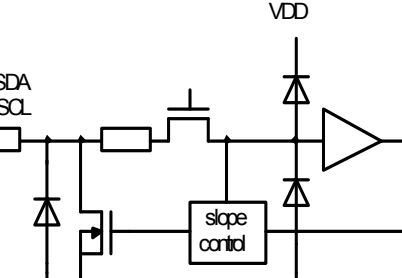
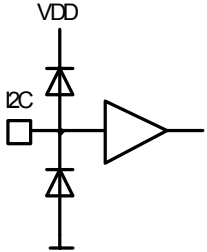
<b>PALID</b>	<b>PAL Identification</b>	
D2	identification of PAL signal	Note
0	NTSC signal	not valid if STDET= '000'
1	PAL signal	

<b>DATAV</b>	<b>Data Valid</b>	
D1	new data indication, used for data flow control (polling mode)	
0	data read via I <sup>2</sup> C or no data available	
1	new data received and available in DATAA and DATAB	

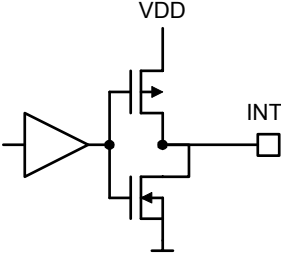
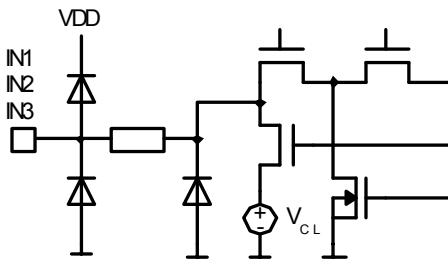
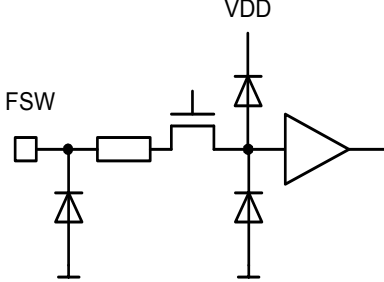
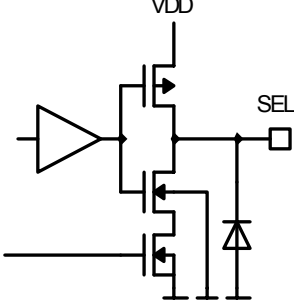
<b>SLFIELD</b>	<b>Sliced Data Field Number</b>	
D0	DATAA and DATAB are from	
0	first field	
1	second field	

Pin Description

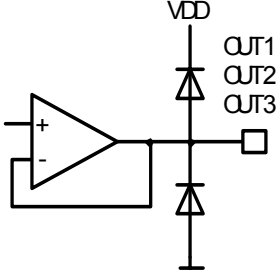
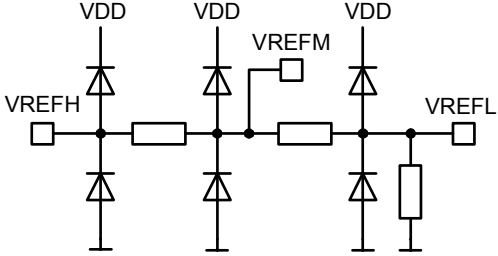
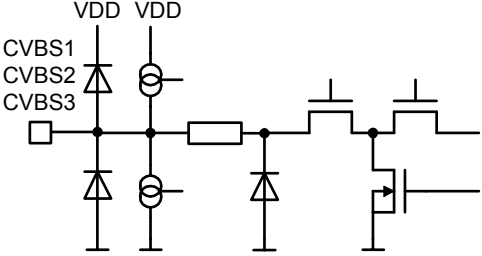
7 Pin Description

pin	schematic	remark
<p>1 (XIN) 2 (XQ)</p>		<p>crystal oscillator, input can be used for external clocking</p>
<p>3 (HSP) 4 (VSP)</p>		<p>schmitt-trigger input with high hysteresis, for best jitter performance use pulses with steep slopes</p>
<p>5 (SDA) 6 (SCL)</p>		<p>low-side driver not used for SCL, slope of acknowledge is limited</p>
<p>9 (I2C)</p>		<p>I2C address selection, only static switch supported</p>

Pin Description

pin	schematic	remark
10 (INT)		
11 (IN1) 12 (IN2) 13 (IN3)		clamped RGB/YUV video inputs, if not used let open or connect with 10nF to ground
14 (FSW)		fast switch input
15 (SEL)		low-side driver can be disabled (open source mode)

Pin Description

pin	schematic	remark
16 (OUT3) 17 (OUT2) 18 (OUT1)		RGB/YUV video outputs
21 (VREFH) 25 (VREFL) 27 (VREFM)		reference voltage for ADC and DAC
24 (CVBS3) 26 (CVBS2) 28 (CVBS1)		clamped video inputs

## Absolute Maximum Ratings

## 8 Absolute Maximum Ratings

Parameter	Symbol	Limit Values		Unit	remark
		min.	max.		
Ambient Temperature	$T_A$	0	70	°C	
Storage Temperature	$T_{stg}$	-55	125	°C	
Junction Temperature	$T_j$		125	°C	
Soldering Temperature	$T_{sold}$		260	°C	duration <10s
Input Voltage	$V_i$	-0.3V	$V_{DD}+0.3V$	1	except SDA, SCL, HSP, VSP
	$V_i$	-0.3	5.5	V	SDA, SCL, HSP, VSP only
Output Voltage	$V_Q$	-0.3V	$V_{DD}+0.3V$	1	except SDA
	$V_Q$	-0.3	5.5	V	SDA only
Supply Voltages	$V_{DD}$	-0.3	3.6	V	
Supply Voltage Differentials		-0.25	0.25	V	
Total Power Dissipation	$P_{tot}$		0.86	W	
Latch-Up Protection	$I_{LU}$	-100	100	mA	
ESD robustness	$V_{ESD,HBM}$	-2000	2000	V	HBM: 1.5kΩ, 100pF

All voltages listed are referenced to ground (0V,  $V_{SS}$ ) except where noted.

Stresses above those listed here may cause permanent damage to the device. Exposure to absolute maximum rating conditions for extended periods may affect device reliability. Maximum ratings are absolute ratings; exceeding only one of these values may cause irreversible damage to the integrated circuit.

## Recommended Operating Range

## 9 Recommended Operating Range

Parameter	Symbol	Limit Values			Unit	Remark
		min.	typ.	max.		
Supply Voltages	$V_{DDXX}$	3.15	3.3	3.45	V	
Ambient Temperature	$T_A$	0	25	70	°C	

## Main horizontal / vertical Sync Inputs: VSP, HSP

HSP Signal Frequency	$f_{PH}$	15.000	15.625	16.250	kHz	$1f_H$ mode
HSP Signal Frequency	$f_{P2H}$	30.000	31.250	32.500	kHz	$2f_H$ mode
HSP Signal Frequency	$f_{P2H}$	11.7	25.2	48	kHz	VGA mode
HSP Signal Rise Time	$t_r$			100	ns	noise-free transition
HSP Signal High Time	$t_{HH}$	200			ns	
HSP Signal Low Time	$t_{LH}$	900			ns	
VSP Signal Frequency	$f_{PV}$		50/60		Hz	
VSP Signal Frequency	$f_{PV}$		100/120		Hz	scan rate conversion
VSP Signal High Time	$t_{HV}$	200			ns	
VSP Signal Low Time	$t_{LV}$	200			ns	

## Inset Input: CVBS1, CVBS2, CVBS3

Horizontal Frequency	$f_H$		15.734		kHz	60 Hz input
Horizontal Frequency	$f_H$		15.625		kHz	50 Hz input
Amplitude of synchronization pulse	$V_{sync}$		300		mV	
length of horizontal synchronization puls	$t_{DH}$		4.7		μs	
length of vertical synchronization puls	$t_{DV}$		22		μs	
chroma amplitude	$A_{CHR}$		300		mV	burst
Input Coupling Capacitors	$C_{CLI}$	2.2	10	100	nF	necessary for proper clamping
CVBS Source Resistance	$R_{SRCI}$		100	500	Ω	



## Recommended Operating Range

Parameter	Symbol	Limit Values			Unit	Remark
		min.	typ.	max.		
Input Voltage Range at inputs CVBS1-3	$V_i$	0.5	1	1.5	V	dep. on AGC setting

## Reference Voltages: VREFL, VREFM, VREFH

Reference Voltage Low	$V_{REFL}$	1.05	1.11	1.17	V	
Reference Voltage Middle	$V_{REFM}$	1.81	1.91	2.00	V	
Reference Voltage High	$V_{REFH}$	3.15	3.3	$V_{DDA1}$	V	

## RGB/YUV Switch: IN1, IN2, IN3, FSW

Input Coupling Capacitors	$C_{CLS}$	2.2	10	100	nF	necessary for proper clamping
Source Resistance	$R_{SRCS}$		100	500	$\Omega$	
Input Voltage Range at inputs IN1-3	$V_{IS}$	0.3	1	1.6	V	
Input Voltage Range at inputs FSW	$V_{IF}$	0.3	1	1.6	V	

I<sup>2</sup>C Address: I2C

Input Voltage Range for Address	$V_{SA1}$	0		0.8	V	
Input Voltage Range for Address	$V_{SA2}$	2.8		$V_{DDD}$	V	

Fast I<sup>2</sup>C Bus (All values are referred to min( $V_{IH}$ ) and max( $V_{IL}$ ))

This specification of the bus lines need not be identical with the I/O stages specification because of optional series resistors between bus lines and I/O pins.

SCL Clock Frequency	$f_{SCL}$	0		400	kHz	
Inactive Time Before Start Of Transmission	$t_{BUF}$	1.3			$\mu$ s	
Set-Up Time Start Condition	$t_{SU;STA}$	0.6			$\mu$ s	
Hold Time Start Condition	$t_{HD;STA}$	0.6			$\mu$ s	
SCL Low Time	$t_{LOW}$	1.3			$\mu$ s	

## Recommended Operating Range

Parameter	Symbol	Limit Values			Unit	Remark
		min.	typ.	max.		
SCL High Time	$t_{\text{HIGH}}$	0.6			$\mu\text{s}$	
Set-Up Time DATA	$t_{\text{SU;DAT}}$	100			ns	
Hold Time DATA	$t_{\text{HD;DAT}}$	0		0.9	$\mu\text{s}$	
SDA/SCL Rise/Fall Times	$t_{\text{R}}, t_{\text{F}}$	20+\$		300	ns	$\$=0.1C_{\text{b}}/\text{pF}$
Set-Up Time Stop Condition	$t_{\text{SU;STO}}$	0.6			$\mu\text{s}$	
Capacitive Load/Bus Line	$C_{\text{b}}$			400	pF	

**I<sup>2</sup>C Bus Inputs/Output: SDA, SCL**

High-Level Input Voltage	$V_{\text{IH}}$	3V		5.5V	1	also for SDA/SCL input stages
Low-Level Input Voltage	$V_{\text{IL}}$	-0.25V		1.5	V	
Spike Duration At Inputs		0	0	50	ns	
Low-Level Output Current	$I_{\text{OL}}$			6	mA	

**Digital To Analog Converters (7-bit):OUT1, OUT2, OUT3**

Load resistance	$R_{\text{L}}$	10			$\text{k}\Omega$	
Load capacitance	$C_{\text{L}}$			30	pF	

**Crystal Specification: XIN, XQ**

Frequency	$f_{\text{xtal}}$	20.248	20.25	20.252	MHz	deviation outside this range will cause color decoding failures
Maximum Permissible Frequency Deviation	$\frac{\Delta f_{\text{max}}}{f_{\text{xtal}}}$	-100		100	$10^{-6}$	deviation outside this range will cause color decoding failures
Recommended Permissible Frequency Deviation	$\Delta f/f_{\text{xtal}}$	-40	0	40	$10^{-6}$	

---

**Recommended Operating Range**

Parameter	Symbol	Limit Values			Unit	Remark
		min.	typ.	max.		
Load Capacitance	$C_L$	12	27	39	pF	
Series resonance resistance	$R_S$		25		$\Omega$	
Motional capacitance	$C_1$		27		fF	
Parallel capacitance	$C_0$		7		pF	

In the operating range the functions given in the circuit description are fulfilled.

## Characteristics

## 10 Characteristics

(Assuming Recommended Operating Conditions)

Parameter	Symbol	Limit Values			Unit	Remark
		min.	typ.	max.		
Average total supply current	$I_{DDtot}$	180	210	240	mA	

All Digital Inputs (TTL, I<sup>2</sup>C)

Input Capacitance	$C_I$		7		pF	
Input Leakage Current		-10		10	$\mu$ A	incl. leakage current of SDA output stage

## SEL

High-Level Output Voltage	$V_{OH}$	2.4 V		$V_{DD}$	V	$I_{OH}=-200\mu$ A
High-Level Output Voltage	$V_{OH}$	1.5V		$V_{DD}$	V	$I_{OH}=-4.5$ mA
Low-Level Output Voltage	$V_{OL}$			0.4	V	$I_{OL}=1.6$ mA, only valid if bit SELDOWN=1

## FSW

Low-Level Input Voltage	$V_{IL}$	-0.25		0.4	V	
High-Level Input Voltage	$V_{IH}$	0.9		$V_{DD}+0.5$	V	
Delay FSW in -> SEL out			10		ns	

I<sup>2</sup>C Inputs: SDA/SCL

Schmitt Trigger Hysteresis	$V_{hys}$	0.1	0.2	0.5	V	not tested
----------------------------	-----------	-----	-----	-----	---	------------

I<sup>2</sup>C Input / Output: SDA (Referenced to SCL; Open Drain Output)

Low-Level Output Voltage	$V_{OL}$			0.4	V	$I_{OL}=3$ mA
Low-Level Output Voltage	$V_{OL}$			0.6	V	$I_{OL}=\max$

## Characteristics

Parameter	Symbol	Limit Values			Unit	Remark
		min.	typ.	max.		
Output Fall Time from min( $V_{IH}$ ) to max( $V_{IL}$ )	$t_{OF}$	20+0.1* $C_b$ /pF		250	ns	$10\text{pF} \leq C_b \leq 40$ 0pF

## Analog Inputs CVBS1, CVBS2, CVBS3

CVBS Input Leakage Current	$I_L$	-100		100	nA	clamping inactive
CVBS Input Capacitance	$C_I$		7		pF	
Input Clamping Error	$\Delta CLE$	-1		1	LSB	settled state
Input Clamping Current	$ \bar{I}_{CLP} $	43		326	$\mu\text{A}$	dependent on clamping error
max. Input Clamping Current deviation	$ I_{CLPx} / I_{CLP} $	-40		40	%	
Reference Voltage Difference	$V_{REFH^-}$ $V_{REFL}$	0.5		1.5	V	$V_{DDA1}=3.3$ V
D.C. Differential Nonlinearity	DNL	-1		1	LSB	$V_{REFH^-}-V_{REFL}$ = max
Crosstalk between CVBS Inputs	CT		-50		dB	

## Digital To Analog Converters (7-bit): Outputs OUT1, OUT2, OUT3

D.C. Differential Nonlinearity	DNLE	-0.5		0.5	LSB	
Full Range Output Voltage	$V_{OL}$	0.3			V	CON, UAMP, VAMP, YAMP = 0
Full Range Output Voltage	$V_{OH}$			1.6	V	CON, UAMP, VAMP, YAMP = max

## Characteristics

Parameter	Symbol	Limit Values			Unit	Remark
		min.	typ.	max.		
Output Voltage	$V_O$	0.9	1	1.1	V	CON, UAMP, VAMP, YAMP = default, VREF = const.
Deviation of OUT1-3 (matching)	$M_{CH}$	-3		3	%	
Contrast Increase	$\Delta CON$		30		%	
Output Amplitude Ratio ( $U_{OH}-U_{OL}$ )/ $U_{OL}$	$\Delta AMP$		400		%	
Brightness Increase	$\Delta BRT$			15	LSB	
Pedestal Level variation	$\Delta PED$			+/- 7.5	LSB	

## RGB / YUV switch; IN1, IN2, IN3

Input Voltage Range	$\Delta V_I$			1.2	Vpp	
Bandwidth (-3dB)	BW		25		MHz	$R_L > 10k\Omega$ ; $C_L = 20pF$
Gain	G	0.9		1.1		
Gain Difference RGB	$\Delta G$			3	%	f<4MHz
Crosstalk Between Inputs	$CT_I$			-45	dB	f=5MHz, (Y-UV)
Isolation (off state)	D	45			dB	f=5MHz
Clamping Level Difference at Output	$\Delta CLPE$			15	mV	between external and internal source

## Colordecoder/Synchronization and Luminance Processing

Horizontal PLL pull-in- range	$\Delta f_{HF}/f_H$	13.3		17.4	kHz	VCR1 and VCR2
Horizontal PLL pull-in- range	$\Delta f_{HF}/f_H$	13.3		17.4	kHz	TV1 and TV2

## Characteristics

Parameter	Symbol	Limit Values			Unit	Remark
		min.	typ.	max.		
Amplitude of synchronization pulse	$V_{\text{sync}}$	60		600	mV	AGC set to 1.2 V input signals
length of horizontal synchronization pulse	$t_{\text{DH}}$	1.8			$\mu\text{s}$	
length of vertical synchronization pulse	$t_{\text{DV}}$	22			$\mu\text{s}$	
ACC range	$\text{CR}_{\text{ACC}}$	-24		+6	dB	
AGC range	$\text{CR}_{\text{AGC}}$	-7.5		+2	dB	
Chroma PLL pull-in-range	$\Delta f_{\text{SC}}$		+/- 500		Hz	nominal crystal frequency

## Data slicer

Data level	$V_{\text{D}}$	266	350	434	mV	CC
Data height	$\Delta V_{\text{D}}$	280	350	420	mV	CC
Eye Height	EH	26.6			%	
Co Channel Distortion	CD25			174	mV	25kHz
Co Channel Distortion	CD50			155	mV	50kHz
Max. permissible Noise	N			20	dB	

The listed characteristics are ensured over the operating range of the integrated circuit. Typical characteristics specify mean values expected over the production spread. If not otherwise specified, typical characteristics apply at  $T_{\text{A}} = 25^{\circ}\text{C}$  and the given supply voltage.

11 Diagrams

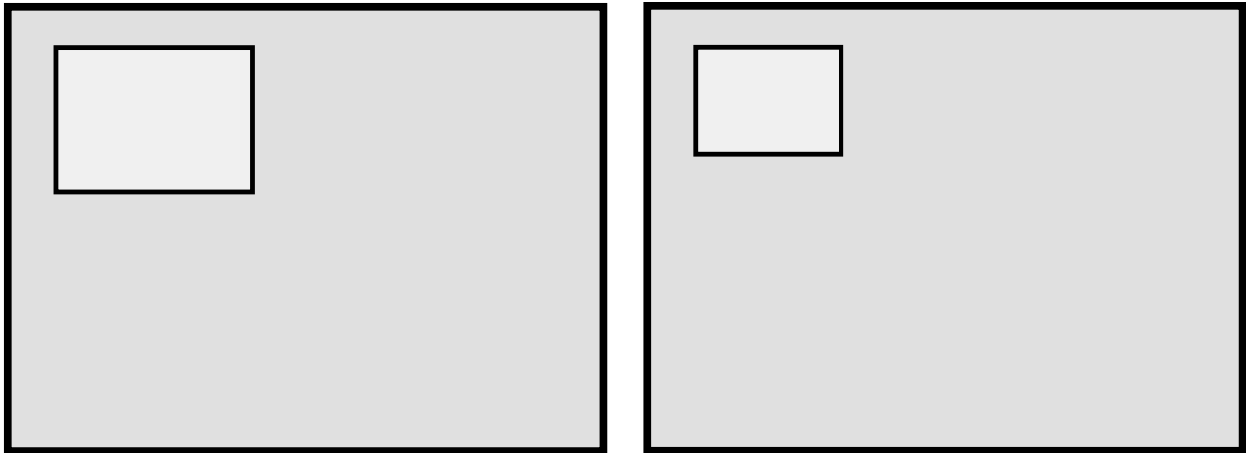


Figure 11-1 Displaymode 0 with picture sizes 1/9 and 1/16

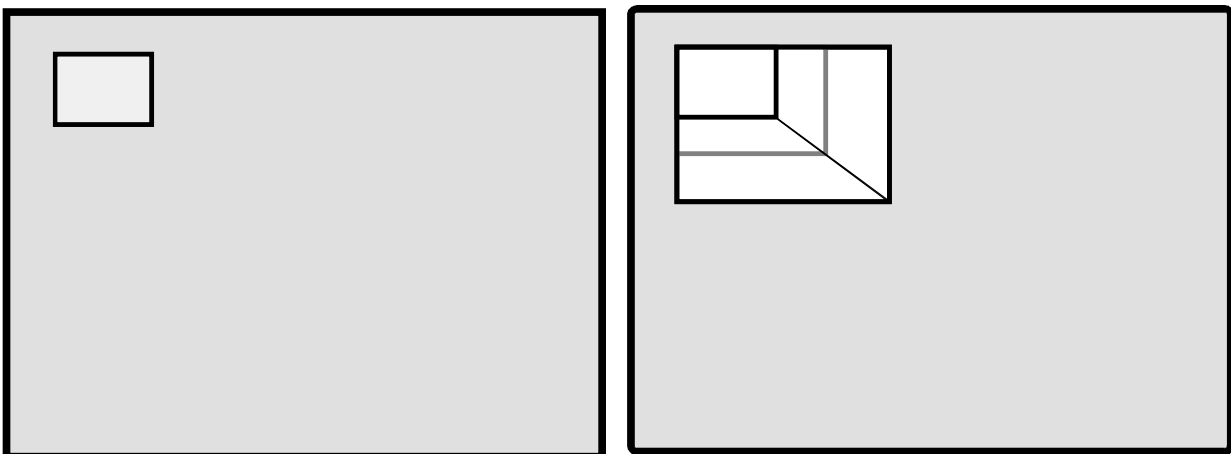
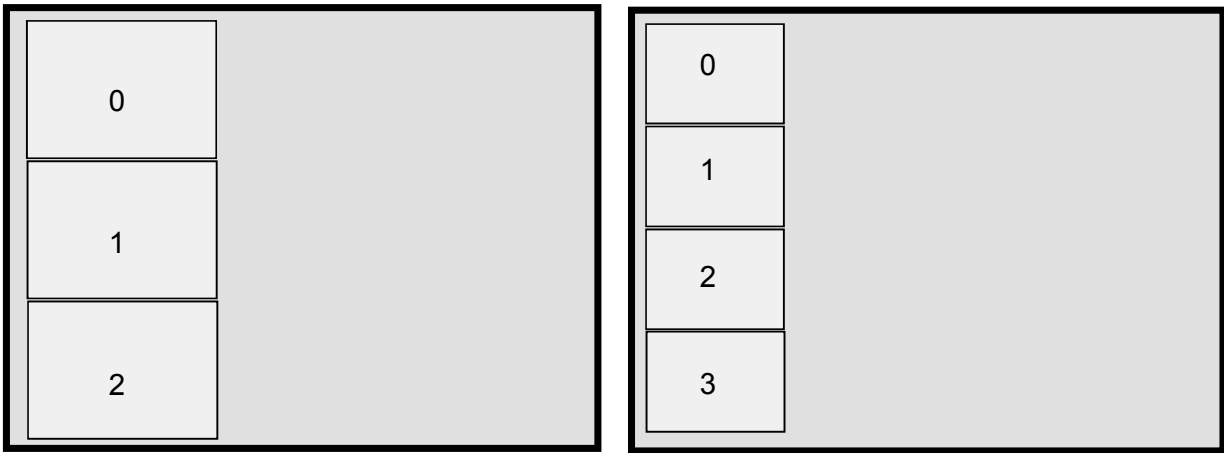


Figure 11-2 Displaymode 0 with picture size 1/36 and with scaling





**Figure 11-3 Display mode 2 (3 pictures with same content) and Display mode 3 (4 pictures with same content)**

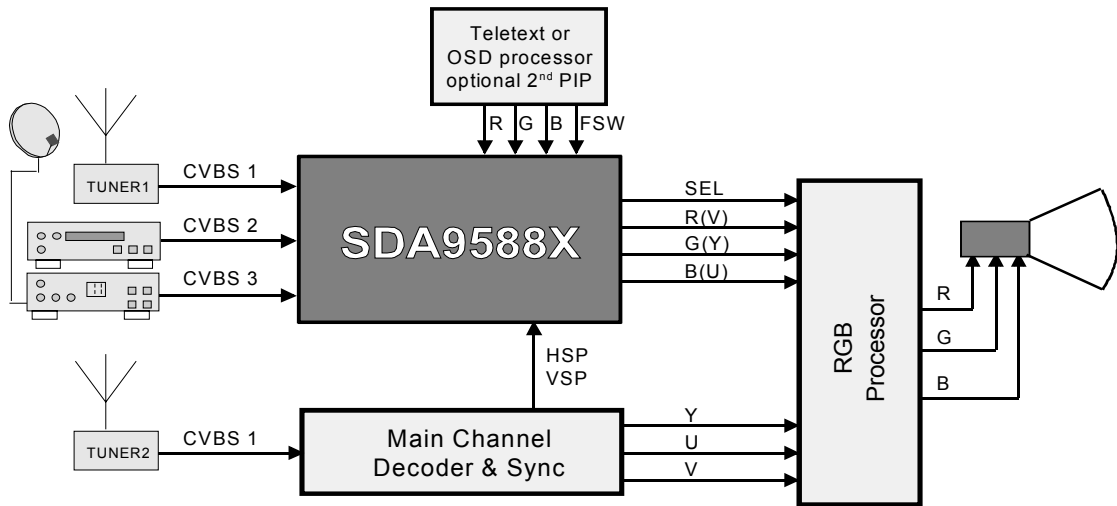


Figure 11-4 General Application with 3 CVBS sources and Teletext-Processor

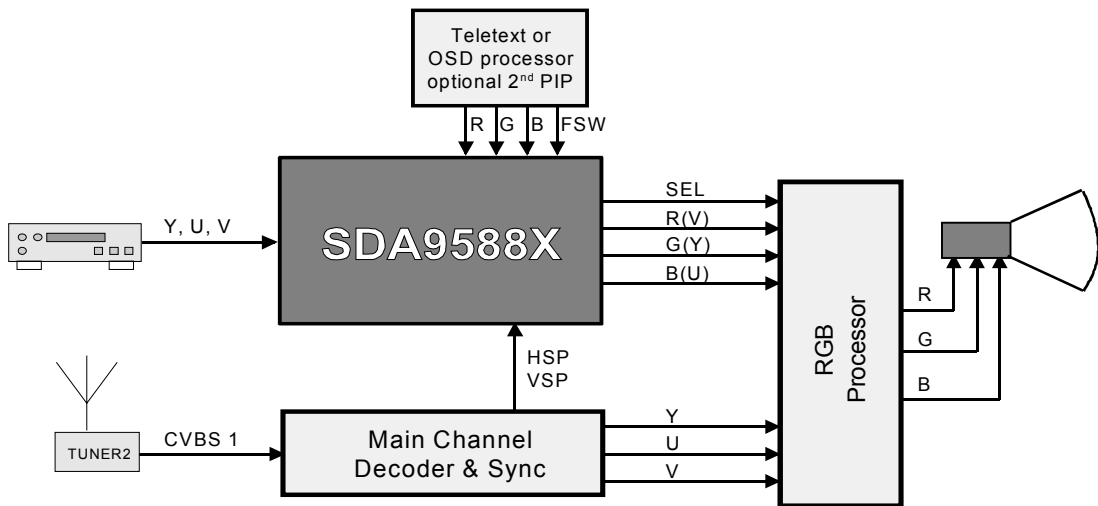
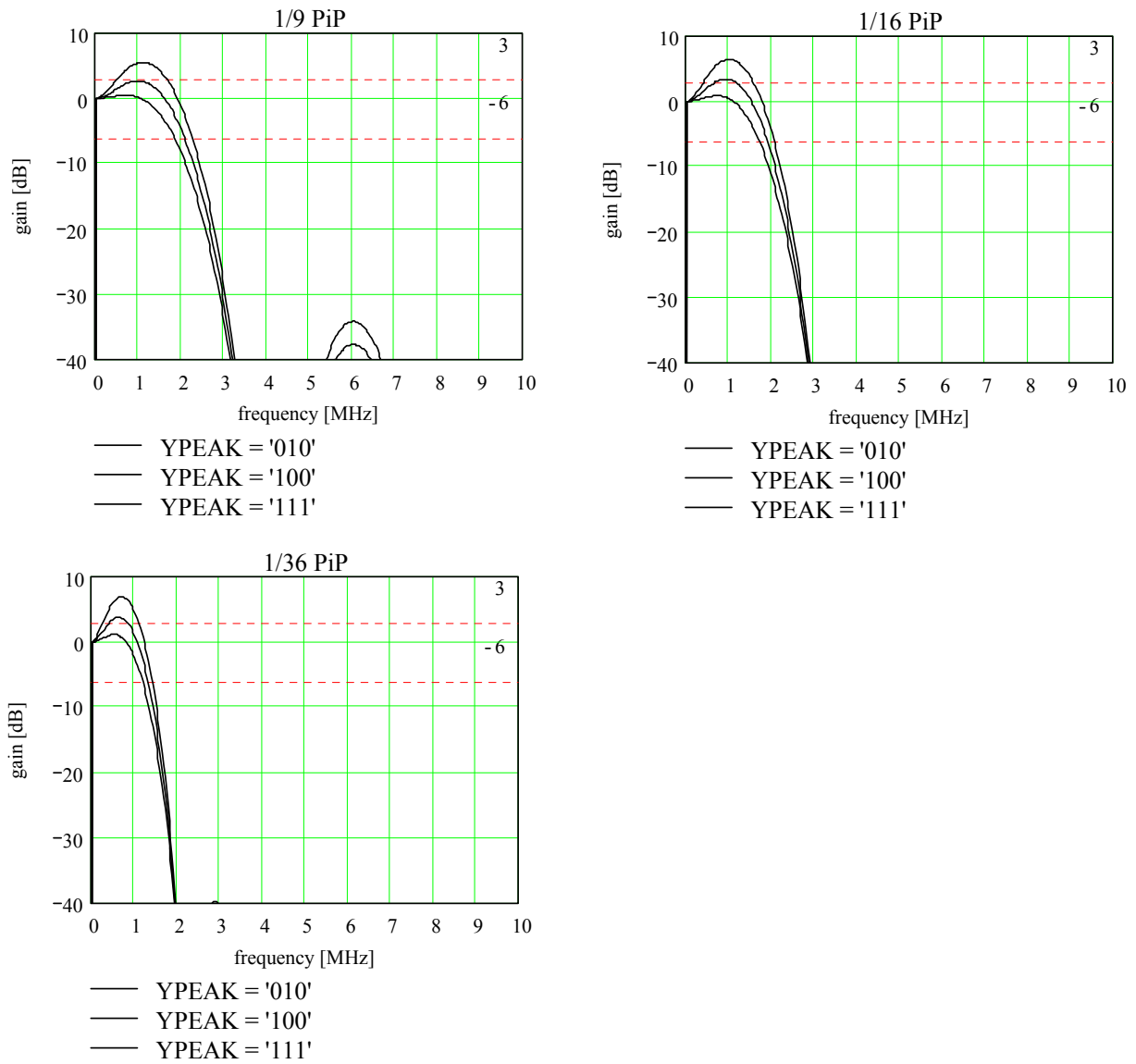


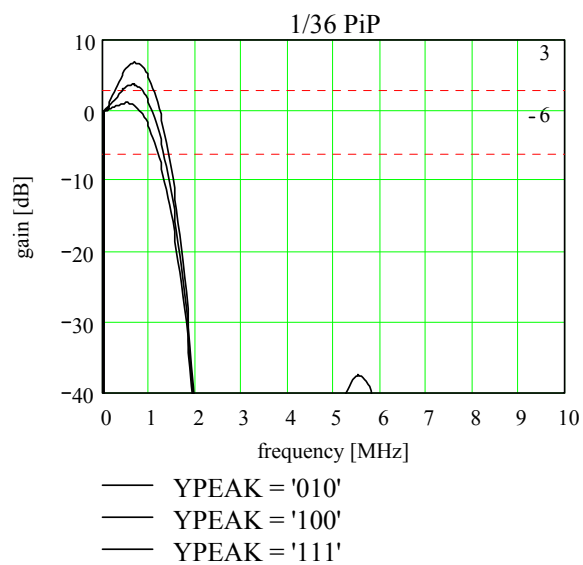
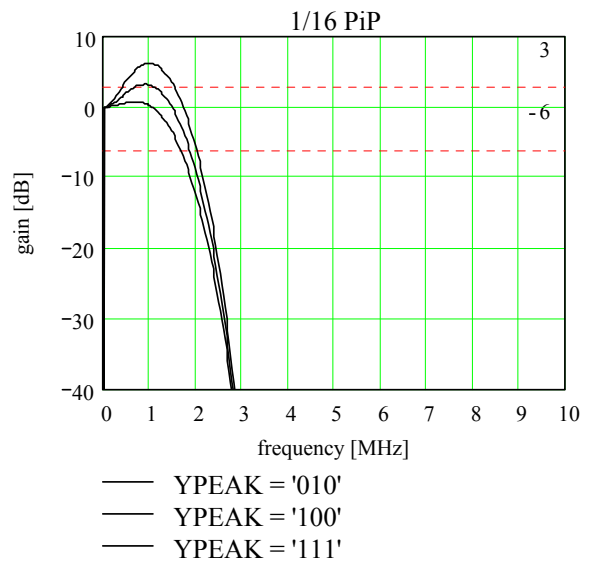
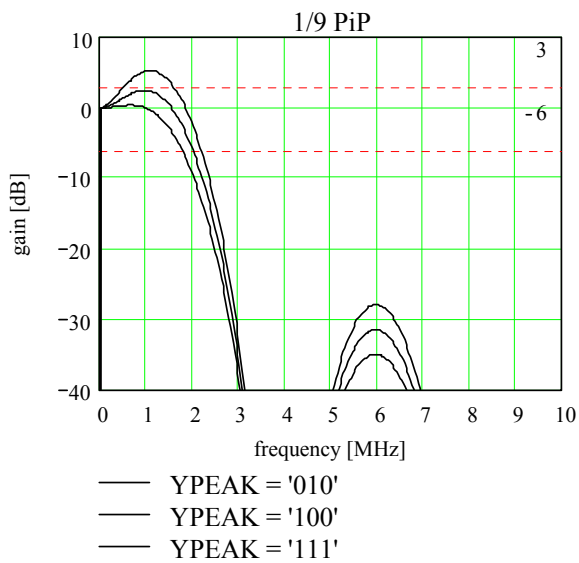
Figure 11-5 General Application with YUV source from DVD

Diagrams



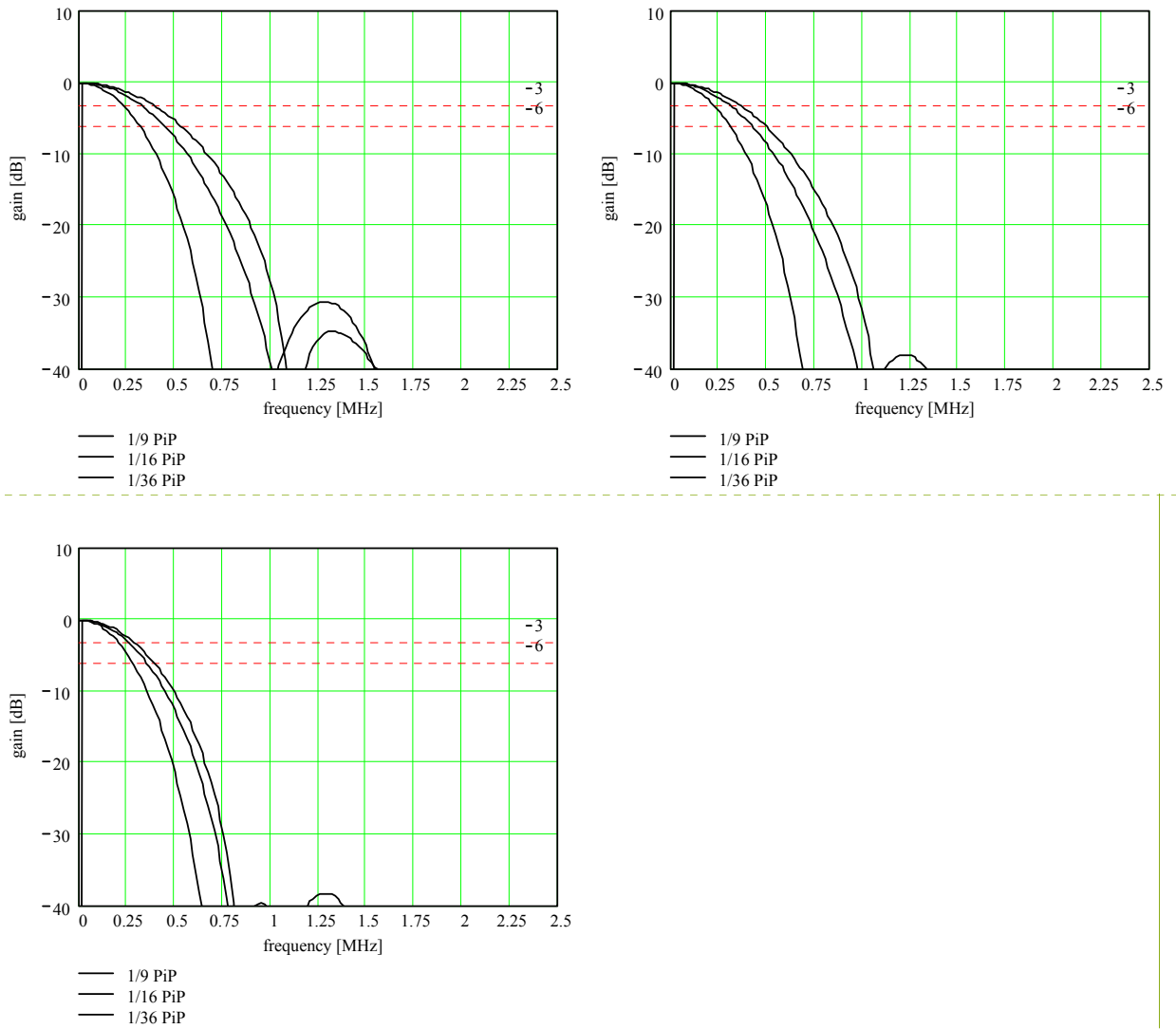
**Figure 11-6 Characteristic (PAL) of luminance decimation filter for different peaking factors**

Diagrams



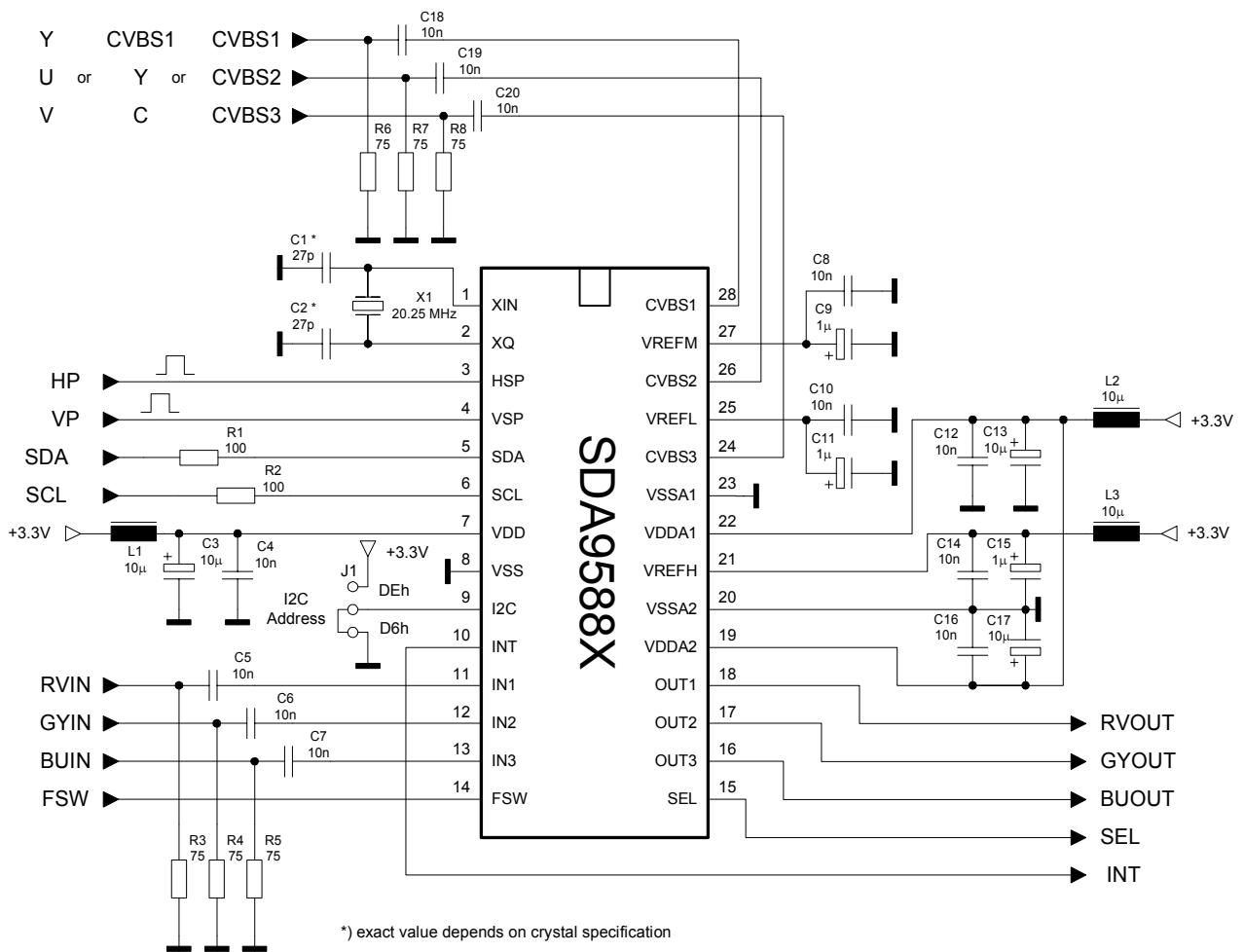
**Figure 11-7 Characteristic (NTSC) of luminance decimation filter for different peaking factors**

Diagrams



**Figure 11-8 Characteristic of chrominance decoder filter (small, medium and narrow)**

12 Application Circuit



Micronas GmbH  
Hans-Bunte-Strasse 19  
D-79108 Freiburg (Germany)  
P.O. Box 840  
D-79008 Freiburg (Germany)  
Tel. +49-761-517-0  
Fax +49-761-517-2174  
E-mail: [docservice@micronas.com](mailto:docservice@micronas.com)  
Internet: [www.micronas.com](http://www.micronas.com)

Printed in Germany  
Order No. 6251-561-1PD

All information and data contained in this data sheet are without any commitment, are not to be considered as an offer for conclusion of a contract, nor shall they be construed as to create any liability. Any new issue of this data sheet invalidates previous issues. Product availability and delivery are exclusively subject to our respective order confirmation form; the same applies to orders based on development samples delivered. By this publication, Micronas GmbH does not assume responsibility for patent infringements or other rights of third parties which may result from its use.

Further, Micronas GmbH reserves the right to revise this publication and to make changes to its content, at any time, without obligation to notify any person or entity of such revisions or changes.

No part of this publication may be reproduced, photocopied, stored on a retrieval system, or transmitted without the express written consent of Micronas GmbH.

This datasheet has been download from:

[www.datasheetcatalog.com](http://www.datasheetcatalog.com)

Datasheets for electronics components.