



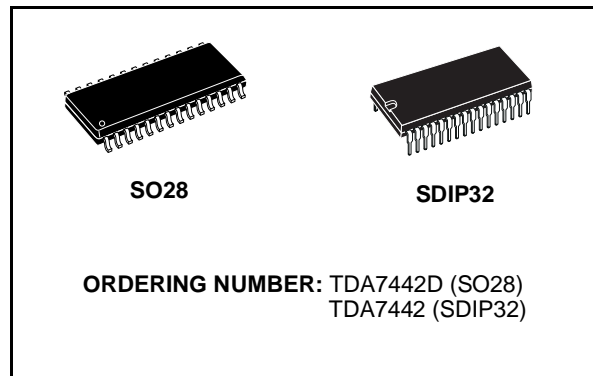
TDA7442 TDA7442D

TONE CONTROL AND SURROUND DIGITALLY CONTROLLED AUDIO PROCESSOR

- 4 STEREO INPUTS
- INPUT ATTENUATION CONTROL IN 0.5dB STEP
- TREBLE AND BASS CONTROL
- TWO SURROUND MODE AVAILABLE WITH 4 SELECTABLE RESPONSES:
 - MUSIC
 - SIMULATED STEREO
- TWO SPEAKER ATTENUATORS:
 - 2 INDEPENDENT SPEAKER CONTROLS IN 1dB STEPS FOR BALANCE FACILITY
 - INDEPENDENT MUTE FUNCTION
- ALL FUNCTIONS PROGRAMMABLE VIA SERIAL BUS
- 2 MONITOR OUTPUT (ONLY FOR TDA7442)

DESCRIPTION

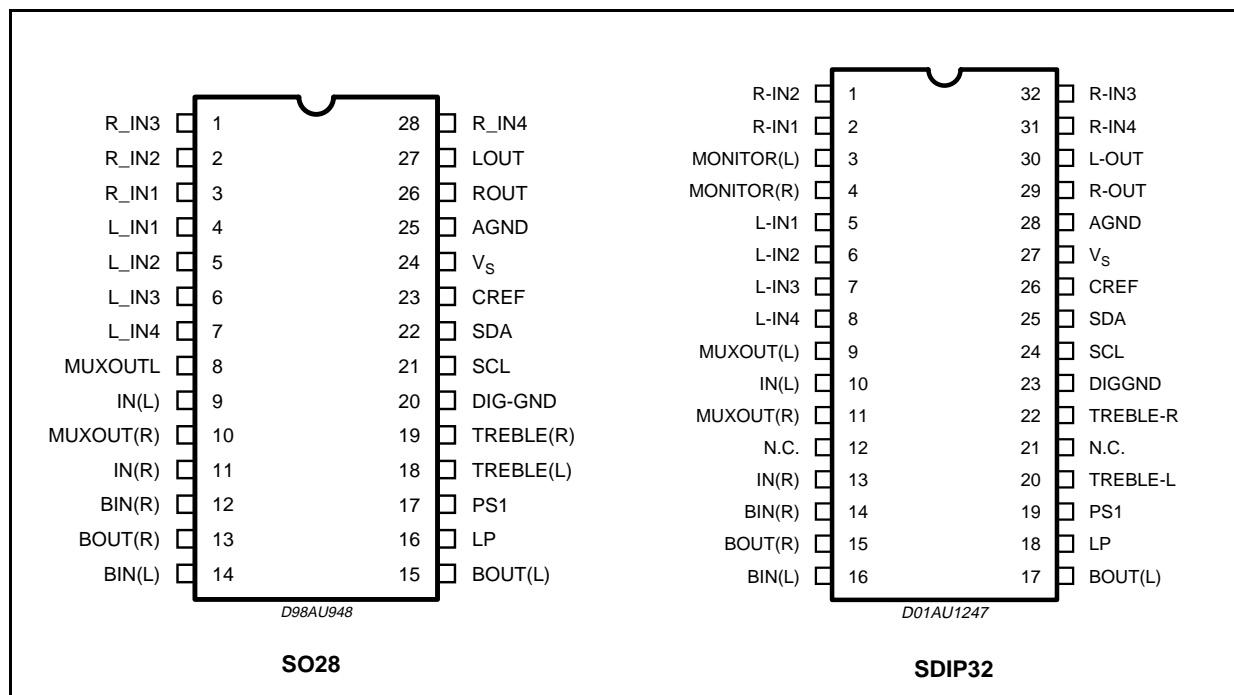
The TDA7442/42D is volume tone (bass and treble) balance (Left/Right) processors for quality audio applications in TV and Hi-Fi systems. It reproduces surround sound by using a pro-



grammable phase shifter. Control of all the functions is accomplished by serial bus. The AC signal setting is obtained by resistor networks and switches combined with operational amplifiers.

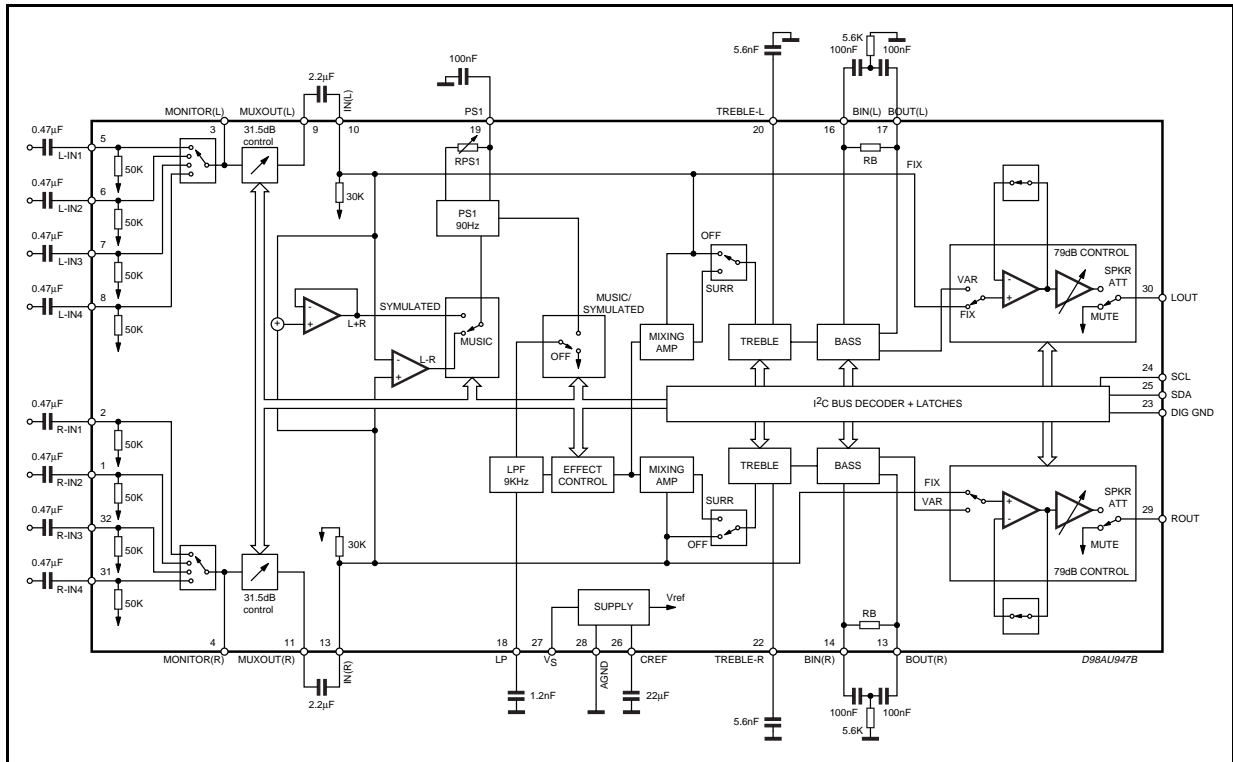
Thanks to the BIPOLAR/CMOS Technology used, Low Distortion, Low Noise and DC stepping are obtained.

PIN CONNECTIONS

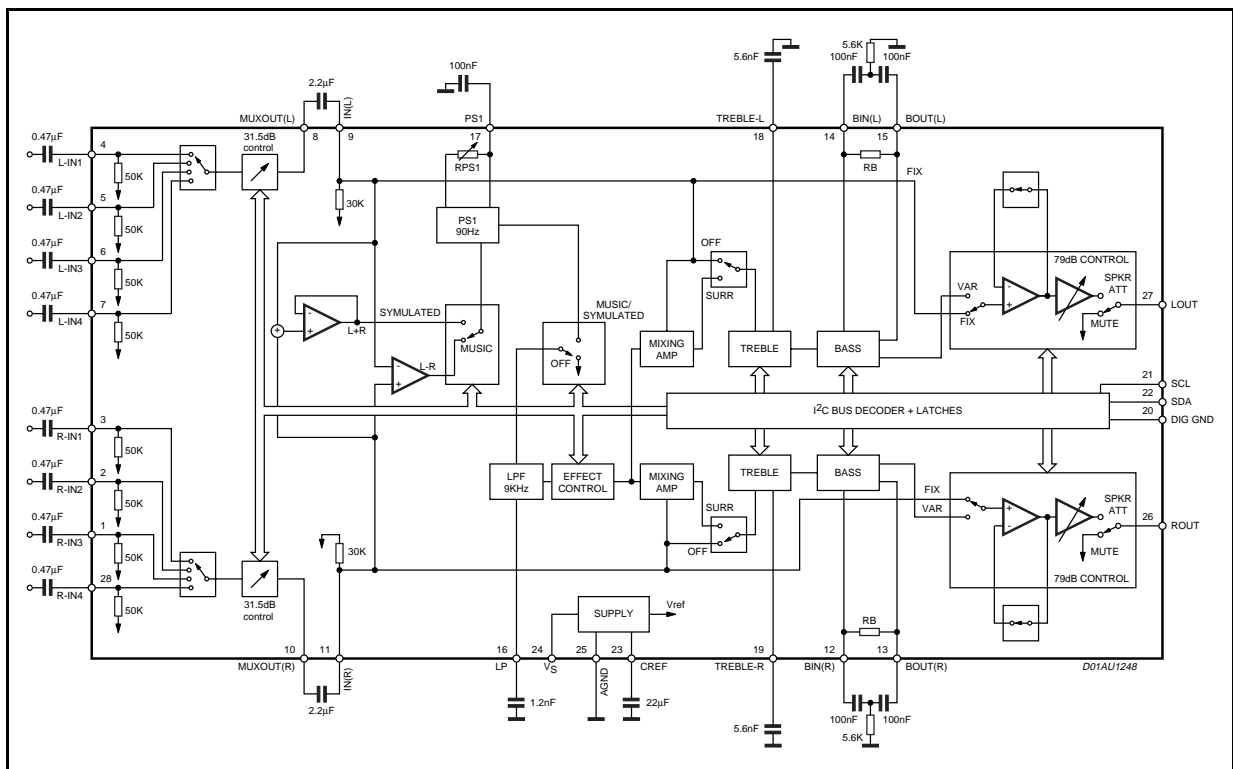


TDA7442 - TDA7442D

BLOCK DIAGRAM (TDA7442)



BLOCK DIAGRAM (TDA7442D)



QUICK REFERENCE DATA

Symbol	Parameter	Min.	Typ.	Max.	Unit
V _S	Supply Voltage	7	9	10.2	V
V _{CL}	Max. input signal handling	2			V _{rms}
THD	Total Harmonic Distortion V = 1V _{rms} f = 1KHz		0.01	0.1	%
S/N	Signal to Noise Ratio V _{out} = 1V _{rms} (mode = OFF)		106		dB
S _C	Channel Separation f = 1KHz		90		dB
	Treble Control (2db step)	-14		+14	dB
	Bass Control (2dB step)	-14		+14	dB
	Balance Control 1dB step (LCH, RCH)	-79		0	dB
	Mute Attenuation		100		dB

THERMAL DATA

Symbol	Description	Value	Unit
R _{th j-pins}	Thermal Resistance Junction-pins	Max. 85	°C/W

ABSOLUTE MAXIMUM RATINGS

Symbol	Parameter	Value	Unit
V _S	Operating Supply Voltage	11	V
T _{amb}	Operating Ambient Temperature	-10 to 85	°C
T _{stg}	Storage Temperature Range	-55 to +150	°C

TDA7442 - TDA7442D

ELECTRICAL CHARACTERISTICS (refer to the test circuit $T_{amb} = 25^{\circ}\text{C}$, $V_S = 9\text{V}$, $R_L = 10\text{K}\Omega$, $V_{in} = 1\text{V}_{rms}$; $R_G = 600\Omega$, all controls flat ($G = 0\text{dB}$), Effect Ctrl = -6dB , MODE = OFF; $f = 1\text{KHz}$ unless otherwise specified)

Symbol	Parameter	Test Condition	Min.	Typ.	Max.	Unit
--------	-----------	----------------	------	------	------	------

SUPPLY

V_S	Supply Voltage		7	9	10.2	V
I_S	Supply Current		10	18	26	mA
SVR	Ripple Rejection	$L_{CH} / R_{CH\ out}$, Mode = OFF	60	80		dB

INPUT STAGE

R_{IN}	Input Resistance		35	50	65	$\text{K}\Omega$
V_{CL}	Clipping Level	THD = 0.3%	2	2.5		V_{rms}
C_{RANGE}	Control Range			31.5		dB
$A_{V\ MIN}$	Min. Attenuation		-1	0	1	dB
$A_{V\ MAX}$	Max. Attenuation		31	31.5	32	dB
A_{STEP}	Step Resolution			0.5	1	dB

BASS CONTROL

G_b	Control Range	Max. Boost/cut	± 11.5	± 14.0	± 16.0	dB
B_{STEP}	Step Resolution		1	2	3	dB
R_B	Internal Feedback Resistance		32	44	56	$\text{K}\Omega$

TREBLE CONTROL

G_t	Control Range	Max. Boost/cut	± 13.0	± 14.0	± 15.0	dB
T_{STEP}	Step Resolution		1	2	3	dB

EFFECT CONTROL

C_{RANGE}	Control Range		- 21		- 6	dB
S_{STEP}	Step Resolution		0.5	1	1.5	dB

SURROUND SOUND MATRIX PHASE

R_{PS10}	Phase Shifter 1: $D1 = 0, D0 = 0$		8.3	11.8	15.2	$\text{K}\Omega$
R_{PS11}	Phase Shifter 1: $D1 = 0, D0 = 1$		10	14.1	18.3	$\text{K}\Omega$
R_{PS12}	Phase Shifter 1: $D1 = 1, D0 = 0$		12.6	17.9	23.3	$\text{K}\Omega$
R_{PS13}	Phase Shifter 1: $D1 = 1, D0 = 1$		26.4	37.3	48.85	$\text{K}\Omega$

SURROUND SOUND MATRIX

TEST CONDITION (Phase Resistor Selection $D0=0, D1=1, D2=0, D3=1, D4=0, D5=1, D6=0, D7=1$)

Symbol	Parameter	Test Condition	Min.	Typ.	Max.	Unit
G_{OFF}	In-phase Gain (OFF)	Mode OFF, Input signal of 1kHz, 1.4V_{p-p} , $R_{in} \rightarrow R_{out}$ $L_{in} \rightarrow L_{out}$	-1	0	1	dB
D_{GOFF}	LR In-phase Gain Difference (OFF)	Mode OFF, Input signal of 1kHz, 1.4V_{p-p} $R_{in} \rightarrow R_{out}, L_{in} \rightarrow L_{out}$	-1	0	1	dB
G_{MUS}	In-phase Gain (Music)	Music mode, Effect Ctrl = -6dB Input signal of 1kHz, 1.4V_{p-p} ($R_{in} \rightarrow R_{out}$), ($L_{in} \rightarrow L_{out}$)		7		dB
D_{GMUS}	LR In-phase Gain Difference (Music)	Music mode, Effect Ctrl = -6dB Input signal of 1kHz, 1.4V_{p-p} ($R_{in} \rightarrow R_{out}$) - ($L_{in} \rightarrow L_{out}$)		0		dB

ELECTRICAL CHARACTERISTICS (continued)

Symbol	Parameter	Test Condition	Min.	Typ.	Max.	Unit
SPEAKER ATTENUATORS						
C_{range}	Control Range			79		dB
S_{STEP}	Step Resolution		-0.5	1	1.5	dB
E_A	Attenuation set error	$A_v = 0$ to -20dB	-1.5	0	1.5	dB
		$A_v = -20$ to -79dB	-3	0	2	dB
V_{DC}	DC Steps	adjacent att. steps	-3	0	3	mV
A_{MUTE}	Output Mute Condition		+70	100		dB
R_{VEA}	Input Impedance		21	30	39	K Ω
AUDIO OUTPUTS						
$N_{O(OFF)}$	Output Noise (OFF)	Output Mute, Flat $B_W = 20\text{Hz}$ to 20KHz		4 5		μVrms μVrms
$N_{O(MUS)}$	Output Noise (Music)	Mode = Music , $B_W = 20\text{Hz}$ to 20KHz,		30		mVrms
$N_{O(PSEUDO)}$	Output Noise (Pseudo Stereo)	Mode = Pseudo Stereo $B_W = 20\text{Hz}$ to 20KHz,		30		mVrms
d	Distorsion	$A_v = 0$; $V_{in} = 1\text{Vrms}$		0.01	0.1	%
S_C	Channel Separation		70	90		dB
V_{OCL}	Clipping Level	$d = 0.3\%$	2	2.5		Vrms
R_{OUT}	Output Resistance		10	30	50	Ω
V_{OUT}	DC Voltage Level			3.8		V
MONITOR OUTPUTS						
d	Distorsion	$A_v = 0$; $V_{in} = 1\text{Vrms}$		0.01	0.1	%
S_C	Channel Separation		70	90		dB
V_{OCL}	Clipping Level	$d = 0.3\%$	2	2.5		Vrms
R_{OUT}	Output Resistance		20	50	70	Ω
V_{OUT}	DC Voltage Level			4.5		V
BUS INPUTS						
V_{IL}	Input Low Voltage				1	V
V_{IH}	Input High Voltage		3			V
I_{IN}	Input Current		-5		+5	μA
V_O	Output Voltage SDA Acknowledge	$I_o = 1.6\text{mA}$			0.4	V

I²C BUS INTERFACE

Data transmission from microprocessor to the TDA7442D and viceversa takes place through the 2 wires I²C BUS interface, consisting of the two lines SDA and SCL (pull-up resistors to positive supply voltage must be connected).

Data Validity

As shown in fig. 3, the data on the SDA line must be stable during the high period of the clock. The HIGH and LOW state of the data line can only change when the clock signal on the SCL line is LOW.

Start and Stop Conditions

As shown in fig.4 a start condition is a HIGH to LOW transition of the SDA line while SCL is HIGH. The stop condition is a LOW to HIGH transition of the SDA line while SCL is HIGH.

Byte Format

Every byte transferred on the SDA line must contain 8 bits. Each byte must be followed by an ac-

knowledge bit. The MSB is transferred first.

Acknowledge

The master (μ P) puts a resistive HIGH level on the SDA line during the acknowledge clock pulse (see fig. 5). The peripheral (audioprocessor) that acknowledges has to pull-down (LOW) the SDA line during this clock pulse.

The audioprocessor which has been addressed has to generate an acknowledge after the reception of each byte, otherwise the SDA line remains at the HIGH level during the ninth clock pulse time. In this case the master transmitter can generate the STOP information in order to abort the transfer.

Transmission without Acknowledge

Avoiding to detect the acknowledge of the audioprocessor, the μ P can use a simpler transmission: simply it waits one clock without checking the slave acknowledging, and sends the new data.

This approach of course is less protected from misworking.

Figure 3: Data Validity on the I²C BUS

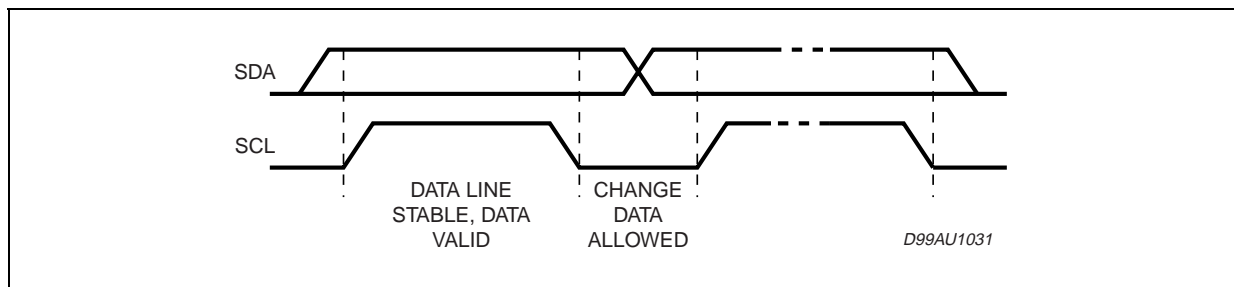


Figure 4: Timing Diagram of I²C BUS

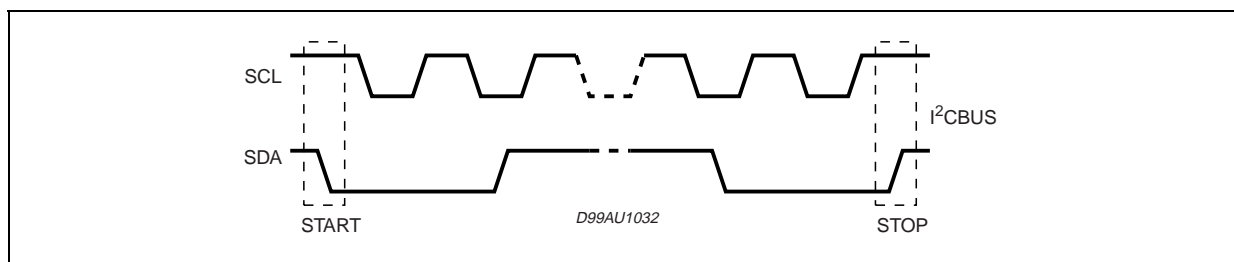
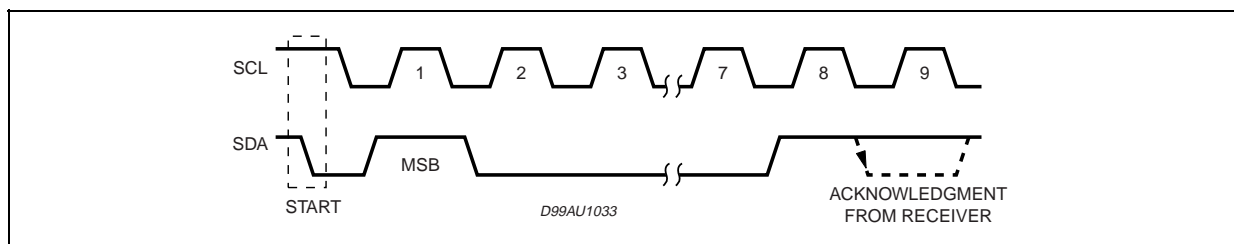


Figure 5: Acknowledge on the I²C BUS



SOFTWARE SPECIFICATION

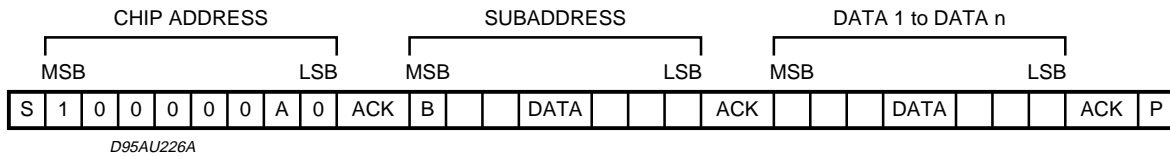
Interface Protocol

The interface protocol comprises:

- A start condition (S)
- A chip address byte, containing the TDA7442D

address

- A subaddress bytes
- A sequence of data (N byte + acknowledge)
- A stop condition (P)



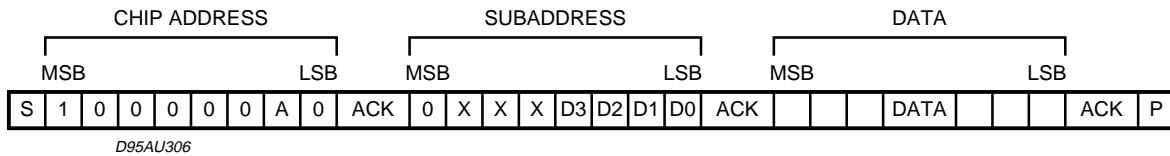
ACK = Acknowledge
 S = Start
 P = Stop
 A = Address
 B = Auto Increment

EXAMPLES

No Incremental Bus

The TDA7442D receives a start condition, the

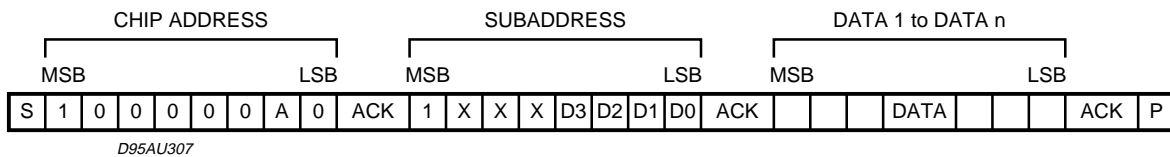
correct chip address, a subaddress with the MSB = 0 (no incremental bus), N-datas (all these datas concern the subaddress selected), a stop condition.



Incremental Bus

The TDA7442D receives a start condition, the correct chip address, a subaddress with the MSB = 1 (incremental bus): now it is in a loop condition with an autoincrease of the subaddress whereas

SUBADDRESS from "1XXX1010" to "1XXX1111" of DATA are ignored. The DATA 1 concern the subaddress sent, and the DATA 2 concern the subaddress sent plus one in the loop etc, and at the end it receives the stop condition.



TDA7442 - TDA7442D

DATA BYTES

Address = 80(HEX)

FUNCTION SELECTION:

The first byte (subaddress)

MSB							LSB		SUBADDRESS
D7	D6	D5	D4	D3	D2	D1	D0		
B	X	X	X	0	0	0	0	INPUT ATTENUATION	
B	X	X	X	0	0	0	1	SURROUND & OUT & EFFECT CONTROL	
B	X	X	X	0	0	1	0	PHASE RESISTOR	
B	X	X	X	0	0	1	1	BASS	
B	X	X	X	0	1	0	0	TREBLE	
B	X	X	X	0	1	0	1	SPEAKER ATTENUATION "L"	
B	X	X	X	0	1	1	0	SPEAKER ATTENUATION "R"	
B	X	X	X	0	1	1	1	NOT ALLOWED	
B	X	X	X	1	0	0	0	NOT ALLOWED	
B	X	X	X	1	0	0	1	INPUT MULTIPLEXER	

B = 1 incremental bus; active

B = 0 no incremental bus;

X = indifferent 0,1

INPUT ATTENUATION SELECTION

MSB							LSB		INPUT ATTENUATION
D7	D6	D5	D4	D3	D2	D1	D0	0.5 dB STEPS	
	1				0	0	0	0	
	1				0	0	1	-0.5	
	1				0	1	0	-1	
	1				0	1	1	-1.5	
	1				1	0	0	-2	
	1				1	0	1	-2.5	
	1				1	1	0	-3	
	1				1	1	1	-3.5	
								4 dB STEPS	
	1	0	0	0				0	
	1	0	0	1				-4	
	1	0	1	0				-8	
	1	0	1	1				-12	
	1	1	0	0				-16	
	1	1	0	1				-20	
	1	1	1	0				-24	
	1	1	1	1				-28	

INPUT ATTENUATION = 0 ~ -31.5dB

SURROUND SELECTION

MSB							LSB	
D7	D6	D5	D4	D3	D2	D1	D0	SURROUND MODE
						0	0	SIMULATED STEREO
						0	1	MUSIC
						1	0	OFF
								OUT
					0			VAR
					1			FIX
								EFFECT CONTROL
	0	0	0	0				-6
	0	0	0	1				-7
	0	0	1	0				-8
	0	0	1	1				-9
	0	1	0	0				-10
	0	1	0	1				-11
	0	1	1	0				-12
	0	1	1	1				-13
	1	0	0	0				-14
	1	0	0	1				-15
	1	0	1	0				-16
	1	0	1	1				-17
	1	1	0	0				-18
	1	1	0	1				-19
	1	1	1	0				-20
	1	1	1	1				-21
PHASE RESISTOR SELECTION								
MSB							LSB	SURROUND PHASE RESISTOR
D7	D6	D5	D4	D3	D2	D1	D0	PHASE SHIFT 1 (KΩ)
						0	0	12
						0	1	14
						1	0	18
						1	1	37

TDA7442 - TDA7442D

BASS SELECTION								
MSB							LSB	BASS
D7	D6	D5	D4	D3	D2	D1	D0	2 dB STEPS
X	X	X	1	0	0	0	0	-14
X	X	X	1	0	0	0	1	-12
X	X	X	1	0	0	1	0	-10
X	X	X	1	0	0	1	1	-8
X	X	X	1	0	1	0	0	-6
X	X	X	1	0	1	0	1	-4
X	X	X	1	0	1	1	0	-2
X	X	X	1	0	1	1	1	0
X	X	X	1	1	1	1	1	0
X	X	X	1	1	1	1	0	2
X	X	X	1	1	1	0	1	4
X	X	X	1	1	1	0	0	6
X	X	X	1	1	0	1	1	8
X	X	X	1	1	0	1	0	10
X	X	X	1	1	0	0	1	12
X	X	X	1	1	0	0	0	14
SPEAKER SELECTION								
MSB							LSB	SPEAKER/ATT
D7	D6	D5	D4	D3	D2	D1	D0	1 dB STEPS
X					0	0	0	0
X					0	0	1	-1
X					0	1	0	-2
X					0	1	1	-3
X					1	0	0	-4
X					1	0	1	-5
X					1	1	0	-6
X					1	1	1	-7
								8 dB STEPS
X	0	0	0	0				0
X	0	0	0	1				-8
X	0	0	1	0				-16
X	0	0	1	1				-24
X	0	1	0	0				-32
X	0	1	0	1				-40
X	0	1	1	0				-48
X	0	1	1	1				-56
X	1	0	0	0				-64
X	1	0	0	1				-72
								MUTE
X	1	0	1	X				
X	1	1	X	X				

X = INDIFFERENT 0,1
 SPEAKER ATTENUATION = 0dB ~ -79dB

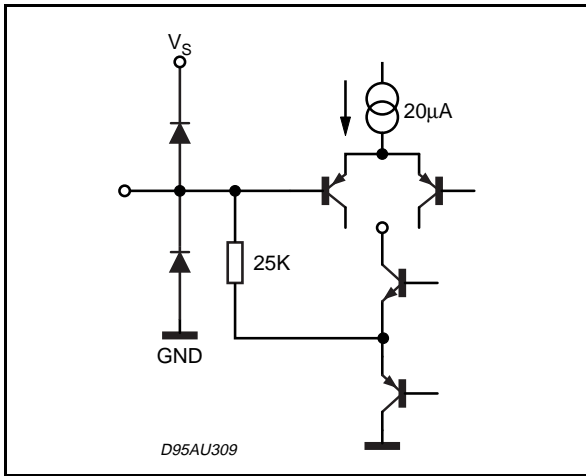
TREBLE SELECTION								
MSB							LSB	TREBLE
D7	D6	D5	D4	D3	D2	D1	D0	2 dB STEPS
0	0	0	0	1	1	1	0	-14
0	0	0	1	1	1	1	0	-12
0	0	1	0	1	1	1	0	-10
0	0	1	1	1	1	1	0	-8
0	1	0	0	1	1	1	0	-6
0	1	0	1	1	1	1	0	-4
0	1	1	0	1	1	1	0	-2
0	1	1	1	1	1	1	0	0
1	1	1	1	1	1	1	0	0
1	1	1	0	1	1	1	0	2
1	1	0	1	1	1	1	0	4
1	1	0	0	1	1	1	0	6
1	0	1	1	1	1	1	0	8
1	0	1	0	1	1	1	0	10
1	0	0	1	1	1	1	0	12
1	0	0	0	1	1	1	0	14

INPUT SELECTION								
MSB							LSB	
D7	D6	D5	D4	D3	D2	D1	D0	INPUT MULTIPLEXER
X					0	0	0	IN2
X					0	1	0	IN3
X					1	0	0	IN4
X					1	1	0	IN1

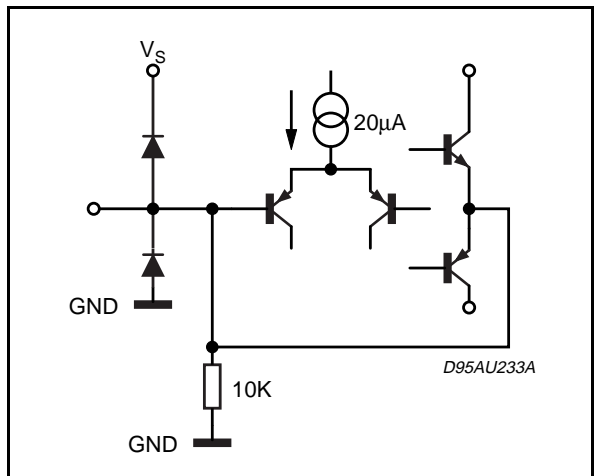
POWER ON RESET	
BASS	2dB
TREBLE	0dB
SURROUND & OUT CONTROL+ EFFECT CONTROL	OFF + FIX + MAX ATTENUATION
SPEAKER ATTENUATION L & R	MUTE
INPUT ATTENUATION	MAX ATTENUATION
INPUT	IN1

TDA7442 - TDA7442D

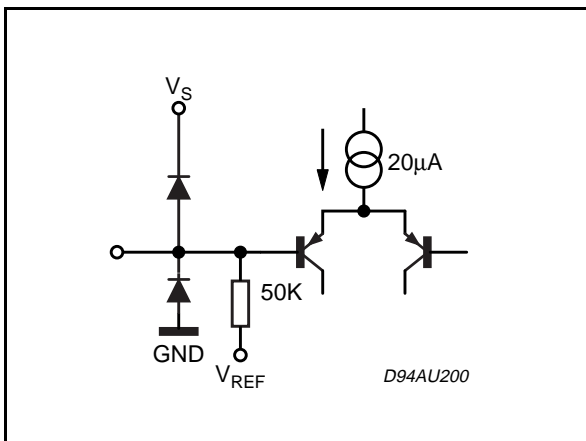
PIN: TREBLE-L, TREBLE-R



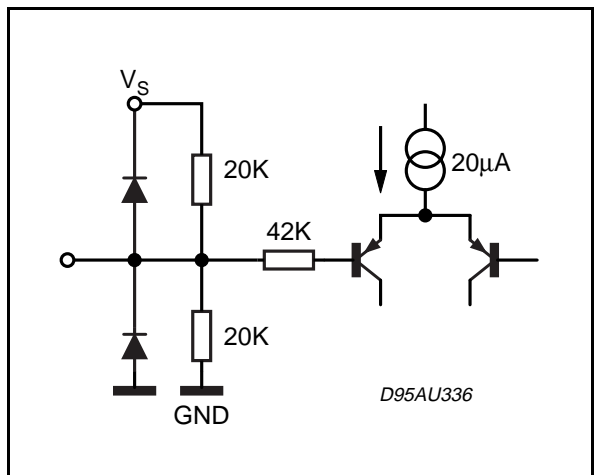
PIN: VOUT REF



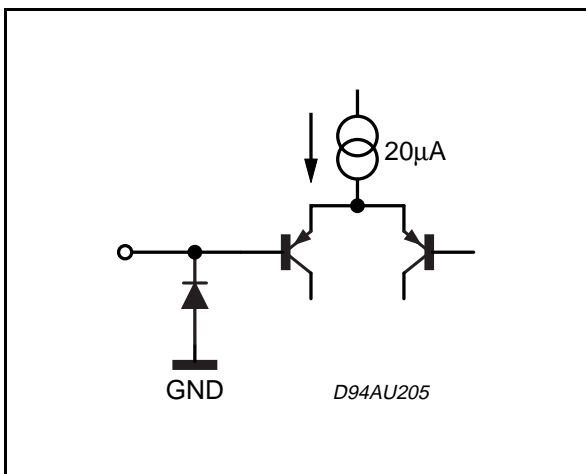
PIN: L-IN, R-IN, L-IN2, R-IN2, L-IN3, R-IN3, L-IN4, R-IN4,



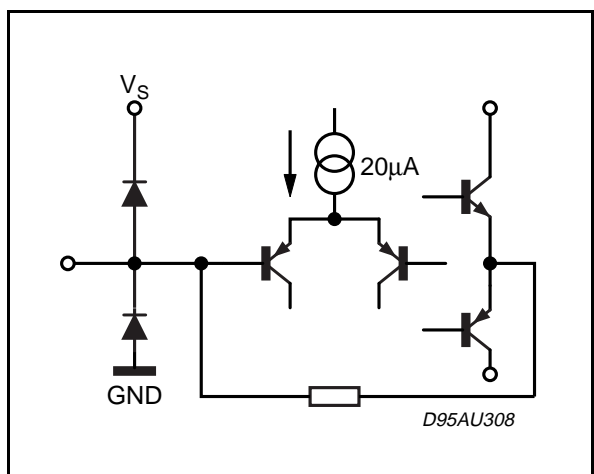
PIN: CREF



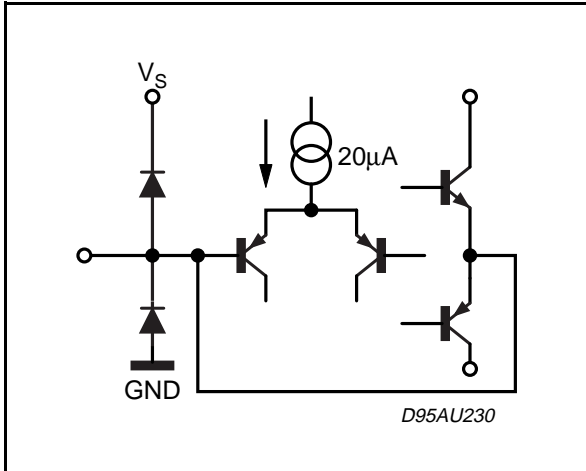
PIN: SCL, SDA



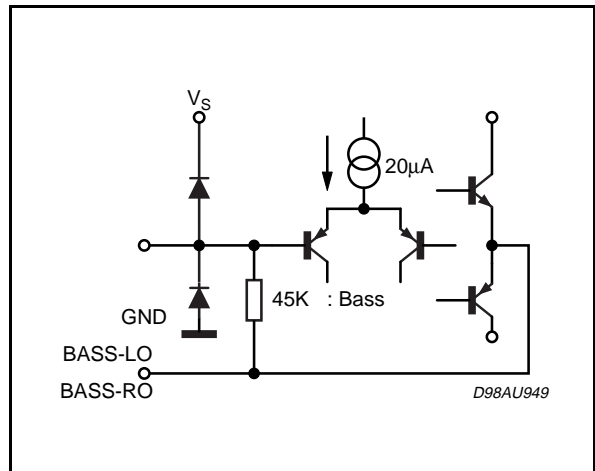
PIN: LP



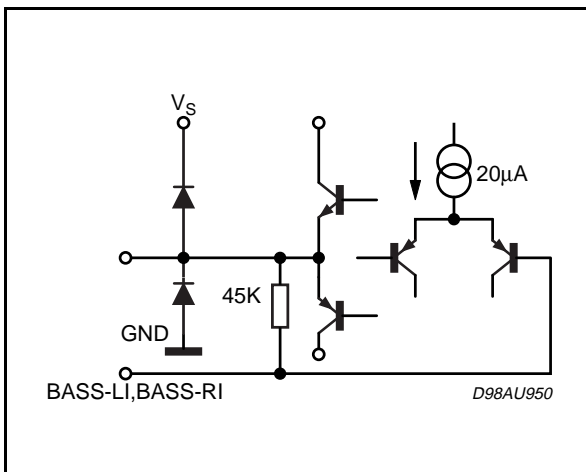
PIN: L-OUT, R-OUT



PIN: BASS-LI, BASS-RI



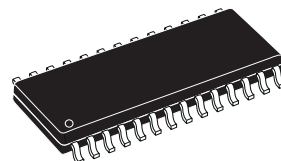
PIN: BASS-LO, BASS-RO



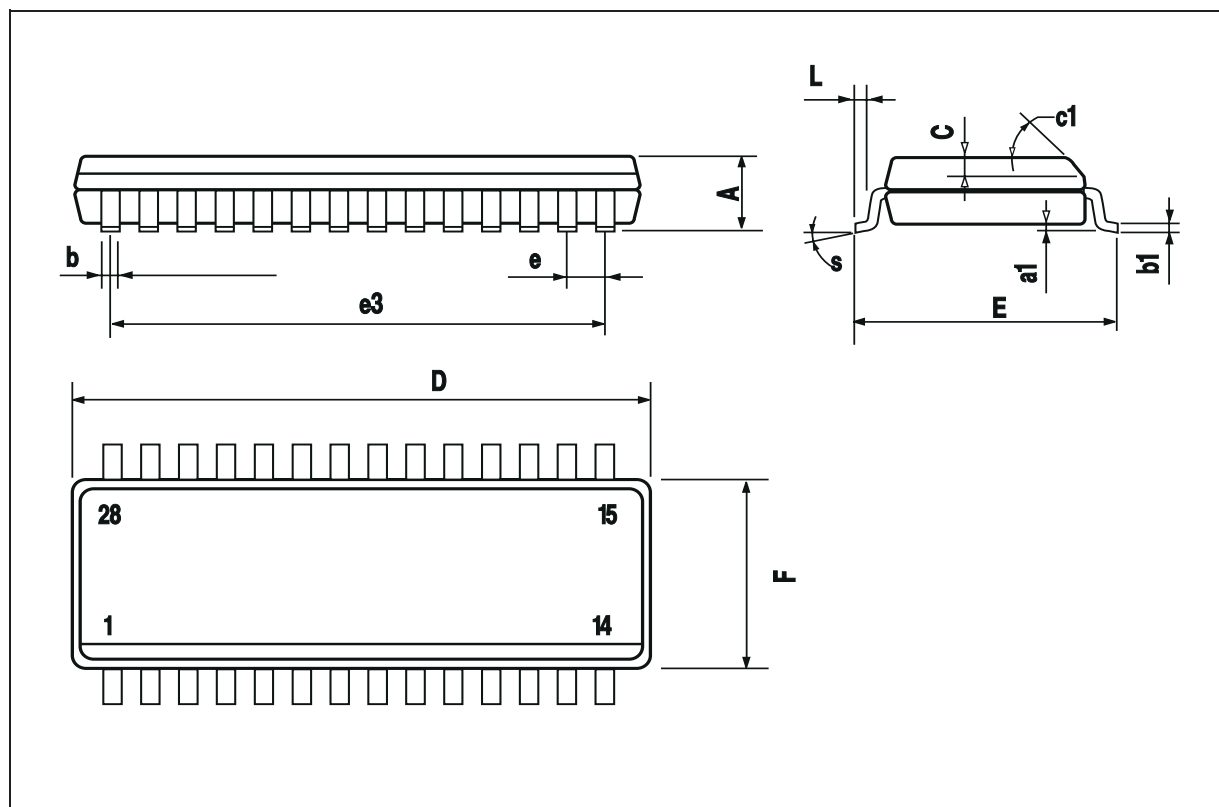
TDA7442 - TDA7442D

DIM.	mm			inch		
	MIN.	TYP.	MAX.	MIN.	TYP.	MAX.
A			2.65			0.104
a1	0.1		0.3	0.004		0.012
b	0.35		0.49	0.014		0.019
b1	0.23		0.32	0.009		0.013
C		0.5			0.020	
c1	45° (typ.)					
D	17.7		18.1	0.697		0.713
E	10		10.65	0.394		0.419
e		1.27			0.050	
e3		16.51			0.65	
F	7.4		7.6	0.291		0.299
L	0.4		1.27	0.016		0.050
S	8° (max.)					

OUTLINE AND MECHANICAL DATA

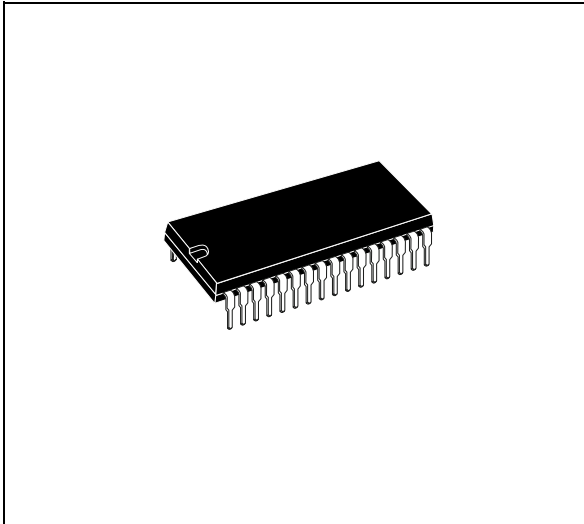


SO28

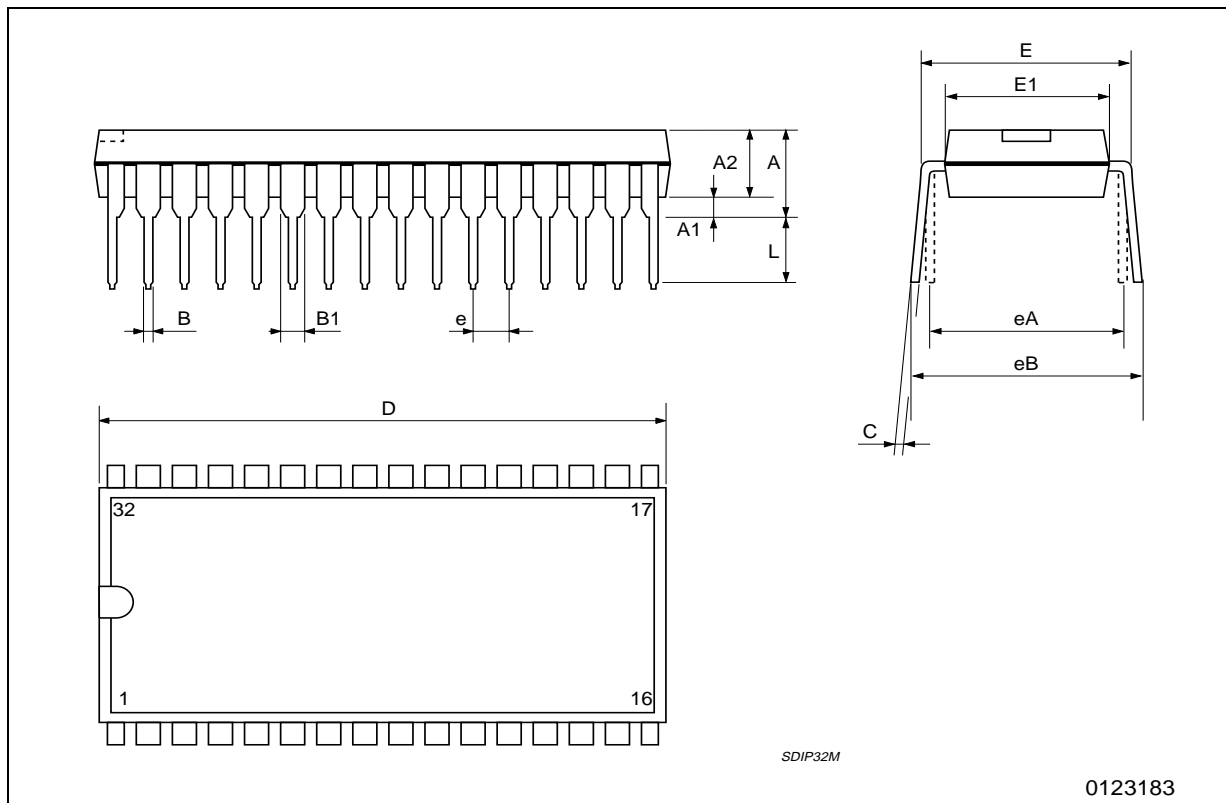


DIM.	mm			inch		
	MIN.	TYP.	MAX.	MIN.	TYP.	MAX.
A	3.556	3.759	5.080	0.14	0.147	0.2
A1	0.508			0.020		
A2	3.048	3.556	4.572	0.12	0.14	0.18
B	0.356	0.457	0.584	0.014	0.018	0.023
B1	0.762	1.016	1.397	0.03	0.04	0.055
C	0.203	0.254	0.356	0.008	0.01	0.014
D	27.43	27.94	28.45	1.08	1.1	1.12
E	9.906	10.41	11.05	0.39	0.409	0.433
E1	7.620	8.890	9.398	0.3	0.35	0.37
e		1.778			0.070	
eA		10.16			0.400	
eB			12.70			0.500
L	2.540	3.048	3.810	0.1	0.12	0.15

OUTLINE AND MECHANICAL DATA



**SDIP32
(Shrink Plastic Dip 32L)**



Information furnished is believed to be accurate and reliable. However, STMicroelectronics assumes no responsibility for the consequences of use of such information nor for any infringement of patents or other rights of third parties which may result from its use. No license is granted by implication or otherwise under any patent or patent rights of STMicroelectronics. Specification mentioned in this publication are subject to change without notice. This publication supersedes and replaces all information previously supplied. STMicroelectronics products are not authorized for use as critical components in life support devices or systems without express written approval of STMicroelectronics.

The ST logo is a registered trademark of STMicroelectronics

© 2001 STMicroelectronics – Printed in Italy – All Rights Reserved

STMicroelectronics GROUP OF COMPANIES

Australia - Brazil - Canada - China - Finland - France - Germany - Hong Kong - India - Israel - Italy - Japan - Malaysia - Malta - Morocco - Singapore - Spain - Sweden - Switzerland - United Kingdom - United States.

<http://www.st.com>