

TFA9843J

2-channel audio amplifier (SE: 1 W to 20 W or BTL: 4 W to 40 W)

Rev. 02 — 19 January 2004

Preliminary data

1. General description

The TFA9843J contains two identical audio power amplifiers. The TFA9843J can be used as two Single-Ended (SE) channels with a fixed gain of 26 dB or one Bridge-Tied Load (BTL) channel with a fixed gain of 32 dB.

The TFA9843J comes in a 9-pin DIL-bent-SIL (DBS7P) power package. The TFA9843J is pin compatible with the TFA9842J and TFA9841J.

The TFA9843J contains a unique protection circuit that is solely based on multiple temperature measurements inside the chip. This gives maximum output power for all supply voltages and load conditions with no unnecessary audio holes. Almost any supply voltage and load impedance combination can be made as long as thermal boundary conditions (number of channels used, external heatsink and ambient temperature) allow it.

2. Features

- SE: 1 W to 20 W; BTL: 4 W to 40 W operation possibility
- Soft clipping
- Standby and mute mode
- No on/off switching plops
- Low standby current
- High supply voltage ripple rejection
- Outputs short-circuit protected to ground, supply and across the load
- Thermally protected
- Pin compatible with the TFA9842J and TFA9841J.

3. Applications

- Television
- PC speakers
- Boom box
- Mini and micro audio receivers.



PHILIPS

4. Quick reference data

Table 1: Quick reference data

Symbol	Parameter	Conditions	Min	Typ	Max	Unit
V_{CC}	supply voltage	operating	9	18	26	V
		no signal	-	-	28	V
I_q	quiescent supply current	$V_{CC} = 18\text{ V}; R_L = \infty$	-	60	100	mA
I_{stb}	standby supply current		-	-	10	μA
P_o	SE output power	THD = 10 %; $R_L = 4\ \Omega$; $V_{CC} = 18\text{ V}$	7	8.5	-	W
		THD = 10 %; $R_L = 4\ \Omega$; $V_{CC} = 22\text{ V}$	-	14	-	W
	BTL output power	THD = 10 %; $R_L = 8\ \Omega$; $V_{CC} = 18\text{ V}$	16	18	-	W
		THD = 10 %; $R_L = 8\ \Omega$; $V_{CC} = 22\text{ V}$	-	29	-	W
THD	total harmonic distortion	SE; $P_o = 1\text{ W}$	-	0.1	0.5	%
		BTL; $P_o = 1\text{ W}$	-	0.05	0.5	%
G_v	voltage gain	SE	25	26	27	dB
		BTL	31	32	33	dB
SVRR	supply voltage ripple rejection	SE; $f = 1\text{ kHz}$	-	60	-	dB
		BTL; $f = 1\text{ kHz}$	-	65	-	dB

5. Ordering information

Table 2: Ordering information

Type number	Package		
	Name	Description	Version
TFA9843J	DBS9P	plastic DIL-bent-SIL power package; 9 leads (lead length 12/11 mm); exposed die pad	SOT523 -1

6. Block diagram

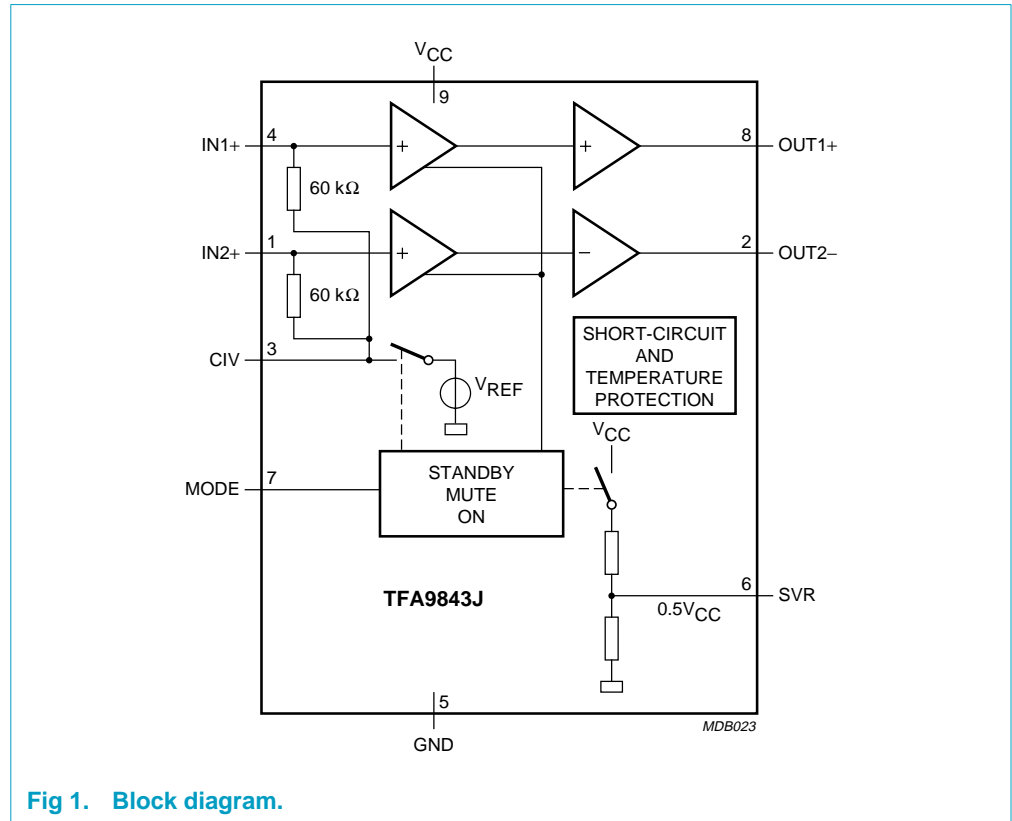


Fig 1. Block diagram.

7. Pinning information

7.1 Pinning

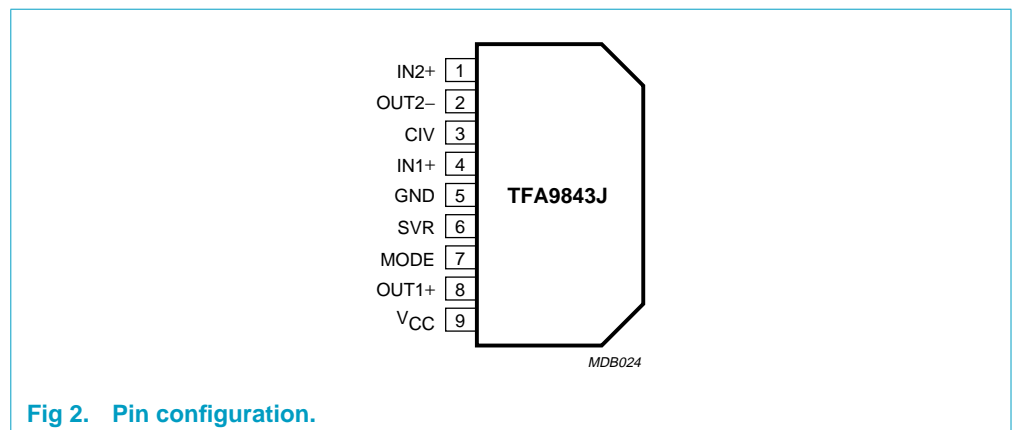


Fig 2. Pin configuration.

7.2 Pin description

Table 3: Pin description

Symbol	Pin	Description
IN2+	1	input 2
OUT2-	2	inverted loudspeaker terminal 2
CIV	3	common input voltage decoupling
IN1+	4	input 1
GND	5	ground
SVR	6	half supply voltage decoupling (ripple rejection)
MODE	7	mode selection input (standby, mute and operating)
OUT1+	8	non inverted loudspeaker terminal 1
V _{CC}	9	supply voltage

8. Functional description

8.1 Input configuration

The input cut-off frequency is:

$$f_{i(cut-off)} = \frac{1}{2\pi(R_i \times C_i)} \quad (1)$$

Single-ended application: $R_i = 60 \text{ k}\Omega$ and $C_i = 220 \text{ nF}$:

$$f_{i(cut-off)} = \frac{1}{2\pi(60 \times 10^3 \times 220 \times 10^{-9})} = 12 \text{ Hz} \quad (2)$$

Bridge-tied load application: $R_i = 30 \text{ k}\Omega$ and $C_i = 470 \text{ nF}$:

$$f_{i(cut-off)} = \frac{1}{2\pi(30 \times 10^3 \times 470 \times 10^{-9})} = 11 \text{ Hz} \quad (3)$$

As shown in [Equation 2](#) and [Equation 3](#), large capacitor values for the inputs are not necessary; so the switch-on delay during charging of the input capacitors can be minimized. This results in a good low frequency response and good switch-on behavior.

8.2 Power amplifier

The power amplifier is a Bridge-Tied Load (BTL) or Single-Ended (SE) amplifier with an all-NPN output stage, capable of delivering a peak output current of 4 A.

Using the TFA9843J as a BTL amplifier offers the following advantages:

- Lower peak value of the supply current
- Ripple frequency on the supply voltage is twice the signal frequency

- No expensive DC-blocking capacitor
- Good low frequency performance.

8.2.1 Output power measurement

The output power as a function of the supply voltage is measured on the output pins at THD = 10 %; see [Figure 11](#). The maximum output power is limited by the supply voltage of 26 V and the maximum available output current is 4 A repetitive peak current. A minimum load (SE) of 3 Ω is required for supply voltages > 22 V; see [Figure 5](#). A minimum load (BTL) of 6 Ω is required for supply voltages > 22 V; see [Figure 6](#).

8.2.2 Headroom

Typical CD music requires at least 12 dB (factor 15.85) dynamic headroom, compared to the average power output, for transferring the loudest parts without distortion. At $V_{CC} = 18$ V and $P_o = 5$ W (SE with $R_L = 4$ Ω) or $P_o = 10$ W (BTL with $R_L = 8$ Ω) at THD = 0.2 % (see [Figure 7](#)), the Average Listening Level (ALL) music power without any distortion yields:

$$P_{o(ALL, SE)} = \frac{5 \times 10^3}{15.85} = 315 \text{ mW} \quad (4)$$

$$P_{o(ALL, BTL)} = \frac{10 \times 10^3}{15.85} = 630 \text{ mW} \quad (5)$$

The power dissipation can be derived from [Figure 13](#) (SE) or [Figure 14](#) (BTL) for 0 dB respectively 12 dB headroom (see [Table 4](#)).

Table 4: Power rating as function of headroom

Headroom	Power output (THD = 0.2 %)		Power dissipation (P_D); both channels driven
	SE	BTL	
0 dB	$P_o = 5$ W	$P_o = 10$ W	8.4 W
12 dB	$P_{o(ALL)} = 315$ mW	$P_{o(ALL)} = 630$ mW	4.2 W

For the average listening level a power dissipation of 4.2 W can be used for a heatsink calculation.

8.3 Mode selection

The TFA9843J has three functional modes, which can be selected by applying the proper DC voltage to pin MODE (see [Table 5](#) and [Figure 3](#)).

Table 5: Mode selection

V_{MODE}	Amplifiers 1 and 2
0 to 0.8 V	standby
4.5 V to ($V_{CC} - 3.5$ V)	mute
($V_{CC} - 2.0$ V) to V_{CC}	on

Standby — In this mode the current consumption is very low and the outputs are floating. The device is in standby mode when $V_{\text{MODE}} < 0.8 \text{ V}$, or when pin MODE is grounded.

Mute — In this mode the amplifier is DC-biased but not operational (no audio output). This allows the input coupling capacitors to be charged to avoid pop-noise. The device is in mute mode when $4.5 \text{ V} < V_{\text{MODE}} < (V_{\text{CC}} - 3.5 \text{ V})$.

On — In this mode the amplifier is operating normally. The operating mode is activated at $V_{\text{MODE}} > (V_{\text{CC}} - 2.0 \text{ V})$.

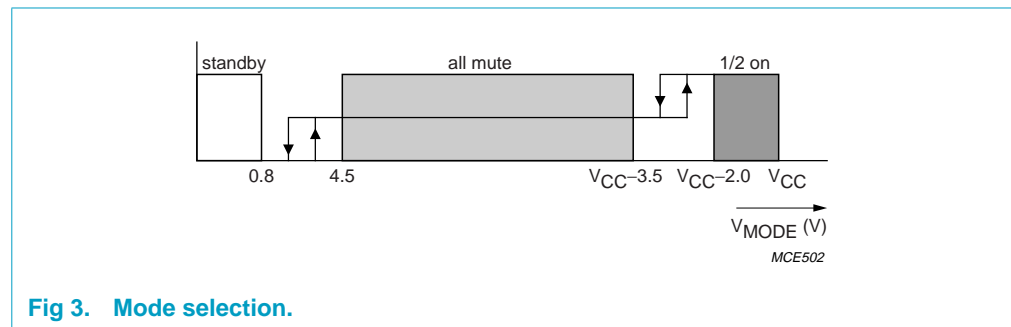


Fig 3. Mode selection.

8.4 Supply voltage ripple rejection

The supply voltage ripple rejection (SVRR) is measured with an electrolytic capacitor of $150 \mu\text{F}$ on pin SVR using a bandwidth of 20 Hz to 22 kHz. Figure 17 illustrates the SVRR as function of the frequency. A larger capacitor value on pin SVR improves the ripple rejection behavior at the lower frequencies.

8.5 Built-in protection circuits

The TFA9843J contains two types of temperature sensors; one measures local temperatures of the power stages and one measures the global chip temperature. At a local temperature of the power stage of approximately $185 \text{ }^\circ\text{C}$ or a global temperature of approximately $150 \text{ }^\circ\text{C}$ this detection circuit switches off the power stages for 2 ms. High impedance of the outputs is the result. After this time period the power stages switch on automatically and the detection will take place again; still a too high temperature switches off the power stages immediately. This protects the TFA9843J against shorts to ground, to the supply voltage, across the load and too high chip temperatures.

The protection will only be activated when necessary, so even during a short-circuit condition, a certain amount of (pulsed) current will still be flowing through the short, just as much as the power stage can handle without exceeding the critical temperature level.

9. Limiting values

Table 6: Limiting values

In accordance with the Absolute Maximum Rating System (IEC 60134).

Symbol	Parameter	Conditions	Min	Max	Unit
V_{CC}	supply voltage	operating	-0.3	+26	V
		no signal	-0.3	+28	V
V_I	input voltage		-0.3	$V_{CC} + 0.3$	V
I_{ORM}	repetitive peak output current		-	4	A
T_{stg}	storage temperature	non-operating	-55	+150	°C
T_{amb}	ambient temperature	operating	-40	+85	°C
P_{tot}	total power dissipation		-	35	W
$V_{CC(sc)}$	supply voltage to guarantee short-circuit protection		-	24	V

10. Thermal characteristics

Table 7: Thermal characteristics

Symbol	Parameter	Conditions	Value	Unit
$R_{th(j-a)}$	thermal resistance from junction to ambient	in free air	40	K/W
$R_{th(j-c)}$	thermal resistance from junction to case	both channels driven	2.0	K/W

11. Static characteristics

Table 8: Static characteristics

$V_{CC} = 18\text{ V}$; $T_{amb} = 25\text{ °C}$; $R_L = 8\ \Omega$; $V_{MODE} = V_{CC}$; $V_i = 0\text{ V}$; measured in test circuit [Figure 20](#); unless otherwise specified.

Symbol	Parameter	Conditions	Min	Typ	Max	Unit
V_{CC}	supply voltage	operating	[1] 9	18	26	V
I_q	quiescent supply current	$R_L = \infty$	[2] -	60	100	mA
I_{stb}	standby supply current	$V_{MODE} = 0$	-	-	10	μA
V_O	DC output voltage		[3] -	9	-	V
ΔV_{OUT}	differential output voltage offset	BTL mode	[4] -	-	190	mV
V_{MODE}	mode selection input voltage	on mode	$V_{CC} - 2.0$	-	V_{CC}	V
		mute mode	4.5	-	$V_{CC} - 3.5$	V
		standby mode	0	-	0.8	V
I_{MODE}	input current on pin MODE	$0 < V_{MODE} < (V_{CC} - 3.5)$	-	-	20	μA

[1] A minimum load (BTL) of $6\ \Omega$ is allowed at supply voltages $> 22\text{ V}$.

[2] With a load connected at the outputs the quiescent supply current will increase.

[3] The DC output voltage with respect to ground is approximately $0.5V_{CC}$.

[4] $\Delta V_{OUT} = |V_{OUT1+} - V_{OUT2-}|$

12. Dynamic characteristics

Table 9: Dynamic characteristics SE
 $V_{CC} = 18\text{ V}$; $T_{amb} = 25\text{ }^{\circ}\text{C}$; $R_L = 4\text{ }\Omega$; $f = 1\text{ kHz}$; $V_{MODE} = V_{CC}$; measured in test circuit [Figure 19](#); unless otherwise specified.

Symbol	Parameter	Conditions	Min	Typ	Max	Unit
P_o	output power	THD = 10 %; $R_L = 4\text{ }\Omega$	7	8.5	-	W
		THD = 0.5 %; $R_L = 4\text{ }\Omega$	-	6.5	-	W
		$V_{CC} = 22\text{ V}$; THD = 10 %; $R_L = 4\text{ }\Omega$	-	14	-	W
THD	total harmonic distortion	$P_o = 1\text{ W}$	-	0.1	0.5	%
G_v	SE voltage gain		25	26	27	dB
Z_i	input impedance		40	60	-	k Ω
$V_{n(o)}$	noise output voltage		[1] -	150	-	μV
SVRR	supply voltage ripple rejection	$f_{\text{ripple}} = 1\text{ kHz}$	[2] -	60	-	dB
		$f_{\text{ripple}} = 100\text{ Hz to }20\text{ kHz}$	[2] -	60	-	dB
$V_{o(\text{mute})}$	output voltage in mute mode		[3] -	-	150	μV
α_{cs}	channel separation	$R_{\text{source}} = 0\text{ }\Omega$	50	60	-	dB
$ G_v $	channel unbalance		-	-	1	dB

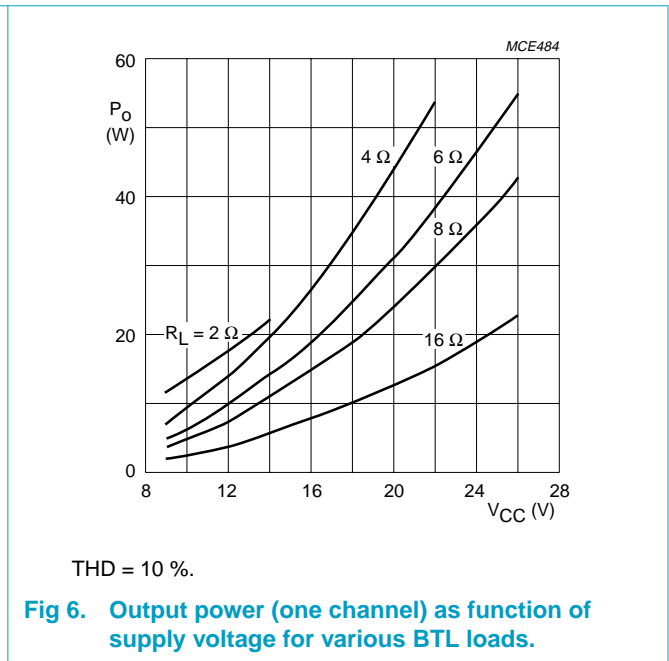
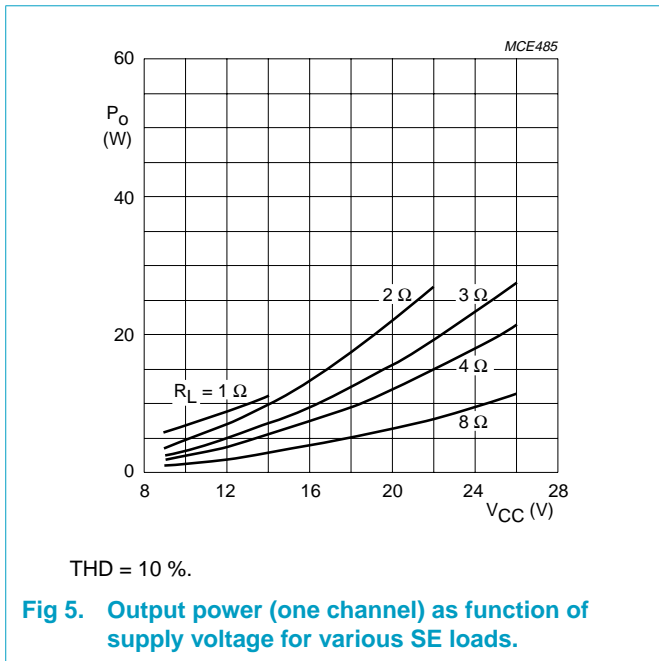
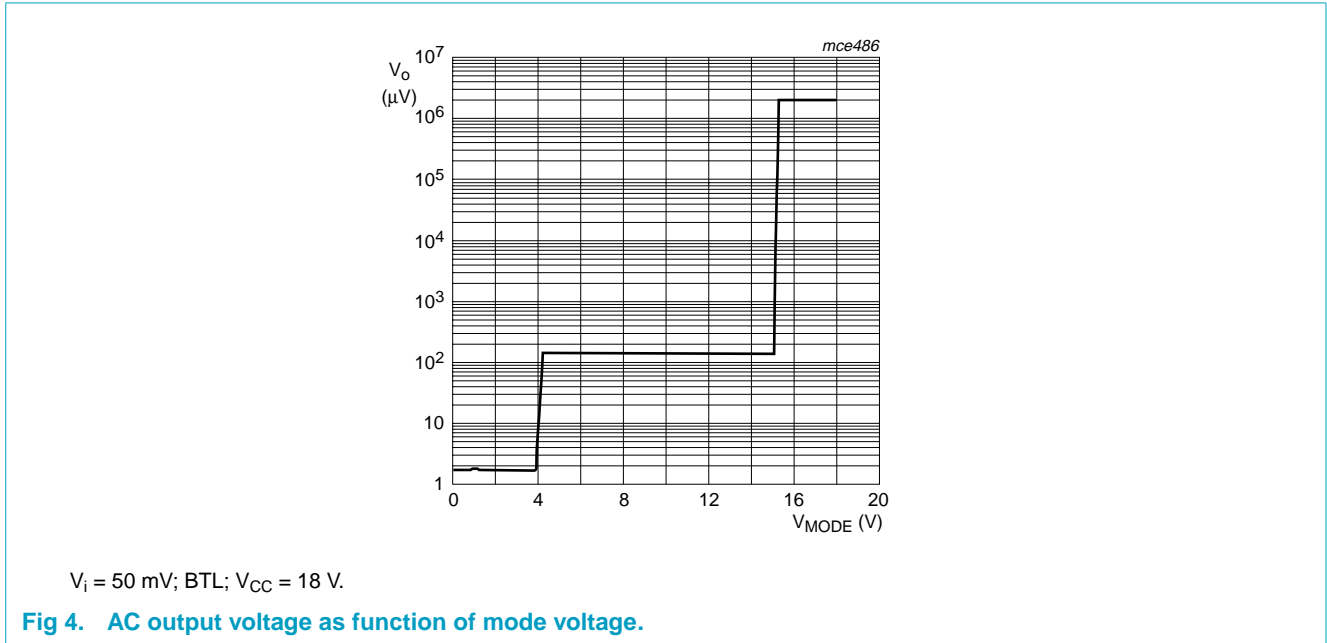
- [1] The noise output voltage is measured at the output in a frequency range from 20 Hz to 22 kHz (unweighted), with a source impedance $R_{\text{source}} = 0\text{ }\Omega$ at the input.
- [2] Supply voltage ripple rejection is measured at the output, with a source impedance $R_{\text{source}} = 0\text{ }\Omega$ at the input and with a frequency range from 20 Hz to 22 kHz (unweighted). The ripple voltage is a sine wave with a frequency f_{ripple} and an amplitude of 300 mV (RMS), which is applied to the positive supply rail.
- [3] Output voltage in mute mode ($V_{MODE} = 7\text{ V}$) and an input voltage of 1 V (RMS) in a bandwidth from 20 Hz to 22 kHz, so including noise.

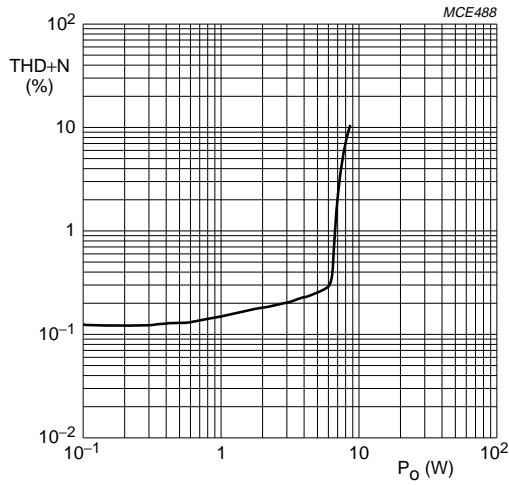
Table 10: Dynamic characteristics BTL
 $V_{CC} = 18\text{ V}$; $T_{amb} = 25\text{ }^{\circ}\text{C}$; $R_L = 8\text{ }\Omega$; $f = 1\text{ kHz}$; $V_{MODE} = V_{CC}$; measured in test circuit [Figure 20](#); unless otherwise specified.

Symbol	Parameter	Conditions	Min	Typ	Max	Unit
P_o	output power	THD = 10 %; $R_L = 8\text{ }\Omega$	16	18	-	W
		THD = 0.5 %; $R_L = 8\text{ }\Omega$	-	14	-	W
		$V_{CC} = 22\text{ V}$; THD = 10 %; $R_L = 8\text{ }\Omega$	-	29	-	W
THD	total harmonic distortion	$P_o = 1\text{ W}$	-	0.05	0.5	%
G_v	BTL voltage gain		31	32	33	dB
Z_i	input impedance		20	30	-	k Ω
$V_{n(o)}$	noise output voltage		[1] -	200	-	μV
SVRR	supply voltage ripple rejection	$f_{\text{ripple}} = 1\text{ kHz}$	[2] -	65	-	dB
		$f_{\text{ripple}} = 100\text{ Hz to }20\text{ kHz}$	[2] -	65	-	dB
$V_{o(\text{mute})}$	output voltage in mute mode		[3] -	-	250	μV
α_{cs}	channel separation	$R_{\text{source}} = 0\text{ }\Omega$	50	65	-	dB
$ G_v $	channel unbalance		-	-	1	dB

- [1] The noise output voltage is measured at the output in a frequency range from 20 Hz to 22 kHz (unweighted), with a source impedance $R_{\text{source}} = 0\text{ }\Omega$ at the input.
- [2] Supply voltage ripple rejection is measured at the output, with a source impedance $R_{\text{source}} = 0\text{ }\Omega$ at the input and with a frequency range from 20 Hz to 22 kHz (unweighted). The ripple voltage is a sine wave with a frequency f_{ripple} and an amplitude of 300 mV (RMS), which is applied to the positive supply rail.

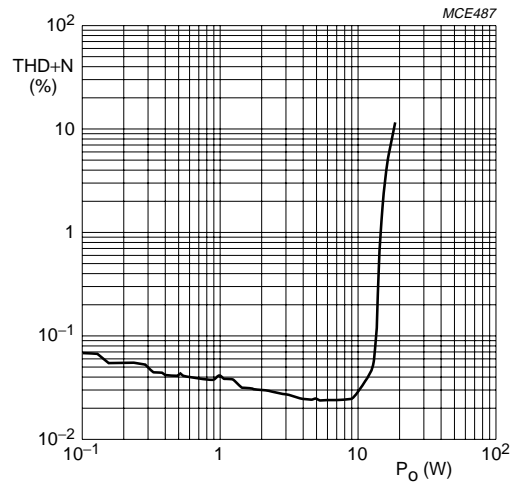
[3] Output voltage in mute mode ($V_{MODE} = 7\text{ V}$) and an input voltage of 1 V (RMS) in a bandwidth from 20 Hz to 22 kHz, so including noise.





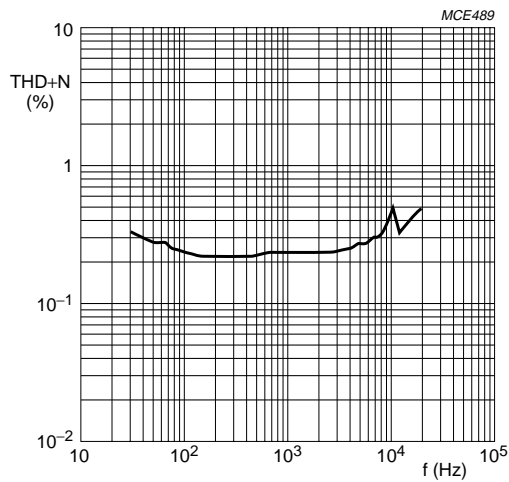
$V_{CC} = 18\text{ V}$; SE; $f = 1\text{ kHz}$; $R_L = 4\ \Omega$.

Fig 7. Total harmonic distortion as function of output power.



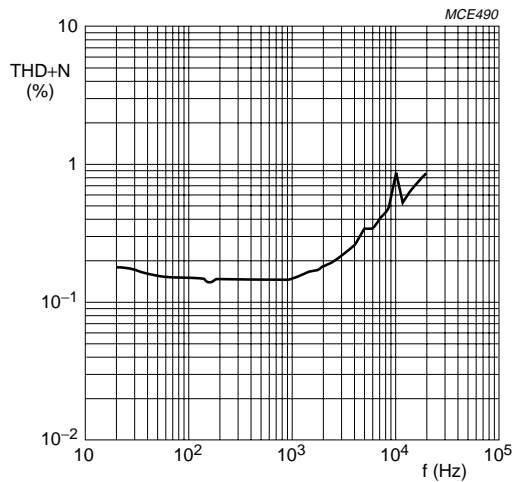
$V_{CC} = 18\text{ V}$; BTL; $f = 1\text{ kHz}$; $R_L = 8\ \Omega$.

Fig 8. Total harmonic distortion as function of output power.



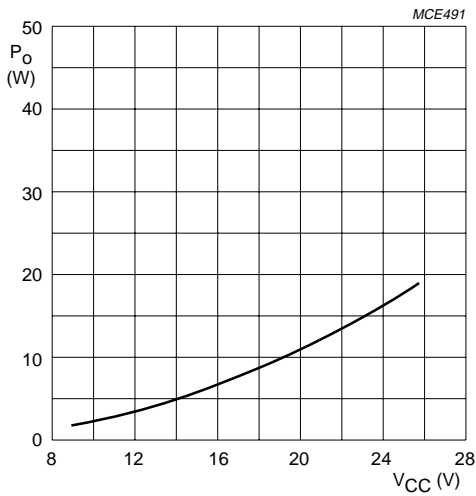
$V_{CC} = 18\text{ V}$; SE; $P_o = 1\text{ W}$; $R_L = 4\ \Omega$.

Fig 9. Total harmonic distortion as function of frequency.



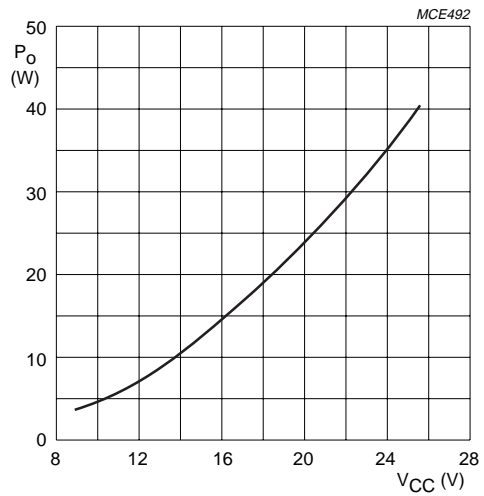
$V_{CC} = 18\text{ V}$; BTL; $P_o = 1\text{ W}$; $R_L = 8\ \Omega$.

Fig 10. Total harmonic distortion as function of frequency.



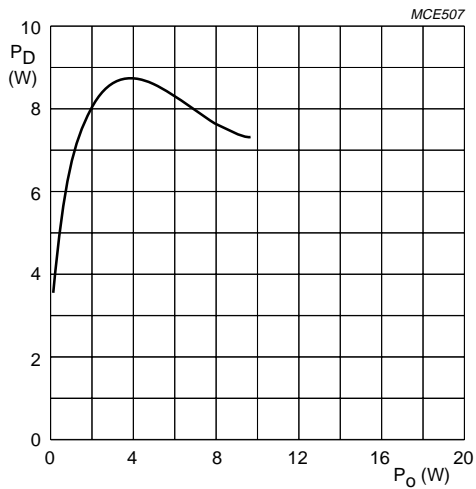
THD = 10 %; SE; R_L = 4 Ω; f = 1 kHz.

Fig 11. Output power as function of supply voltage.



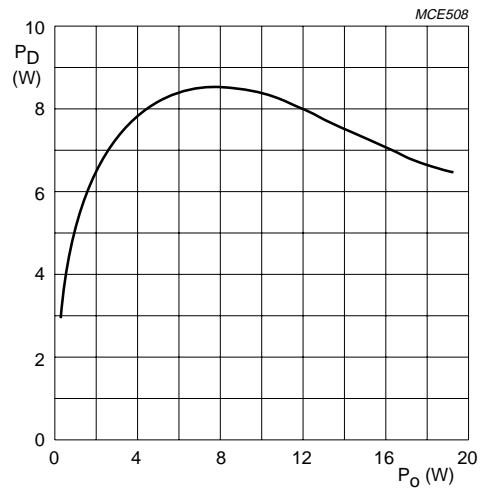
THD = 10 %; BTL; R_L = 8 Ω; f = 1 kHz.

Fig 12. Output power as function of supply voltage.



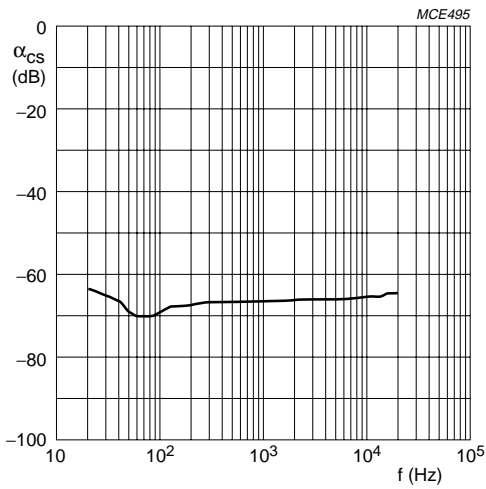
V_{CC} = 18 V; SE; R_L = 4 Ω.

Fig 13. Total (worst case, both channels driven) power dissipation as function of channel output power per channel.



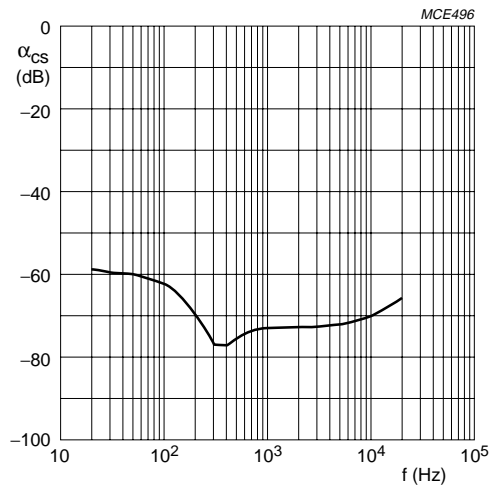
V_{CC} = 18 V; BTL; R_L = 8 Ω.

Fig 14. Total (worst case, both channels driven) power dissipation as function of channel output power per channel.



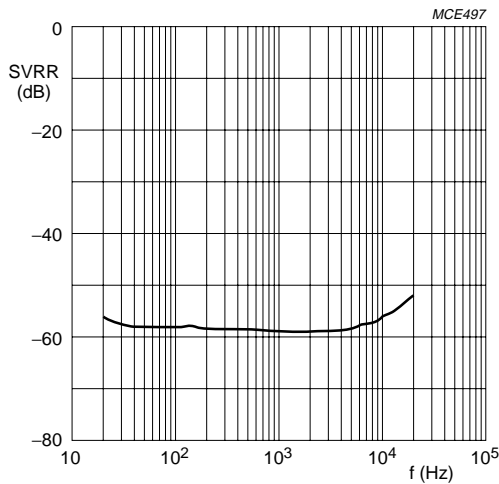
$V_{CC} = 18\text{ V}$; SE; $R_L = 4\ \Omega$.

Fig 15. Channel separation as function of frequency (no bandpass filter applied).



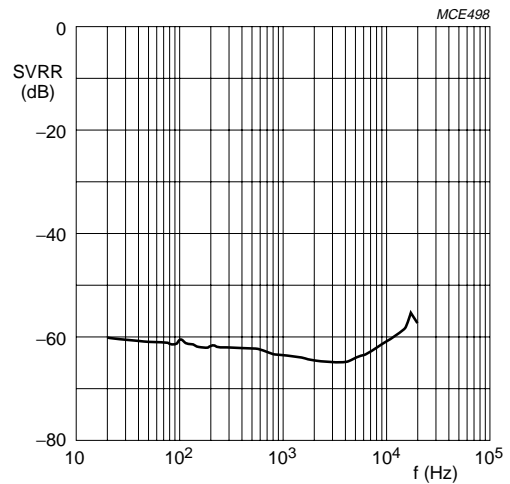
$V_{CC} = 18\text{ V}$; BTL; $R_L = 8\ \Omega$.

Fig 16. Channel separation as function of frequency (no bandpass filter applied).



$V_{CC} = 18\text{ V}$; SE; $R_{source} = 0\ \Omega$; $V_{ripple} = 300\text{ mV (RMS)}$; a bandpass filter of 20 Hz to 22 kHz has been applied; inputs short-circuited.

Fig 17. Supply voltage ripple rejection as function of frequency.



$V_{CC} = 18\text{ V}$; BTL; $R_{source} = 0\ \Omega$; $V_{ripple} = 300\text{ mV (RMS)}$; a bandpass filter of 20 Hz to 22 kHz has been applied; inputs short-circuited.

Fig 18. Supply voltage ripple rejection as function of frequency.

13. Application information

13.1 Application diagrams

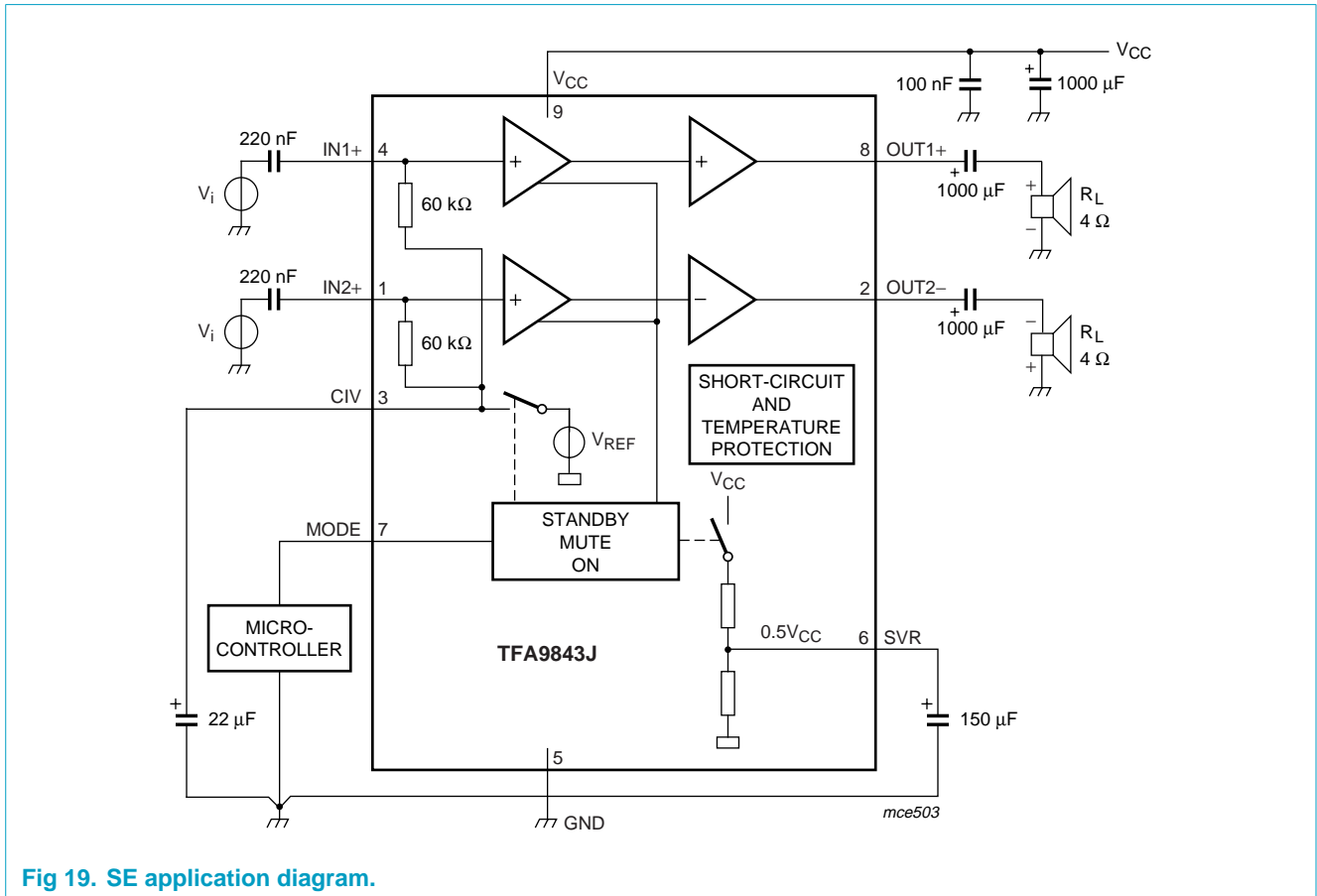


Fig 19. SE application diagram.

Remark: Switching inductive loads, the output voltage can rise beyond the maximum supply voltage of 28 V. At high supply voltage it is recommended to use (Schottky) diodes to the supply voltage and ground.

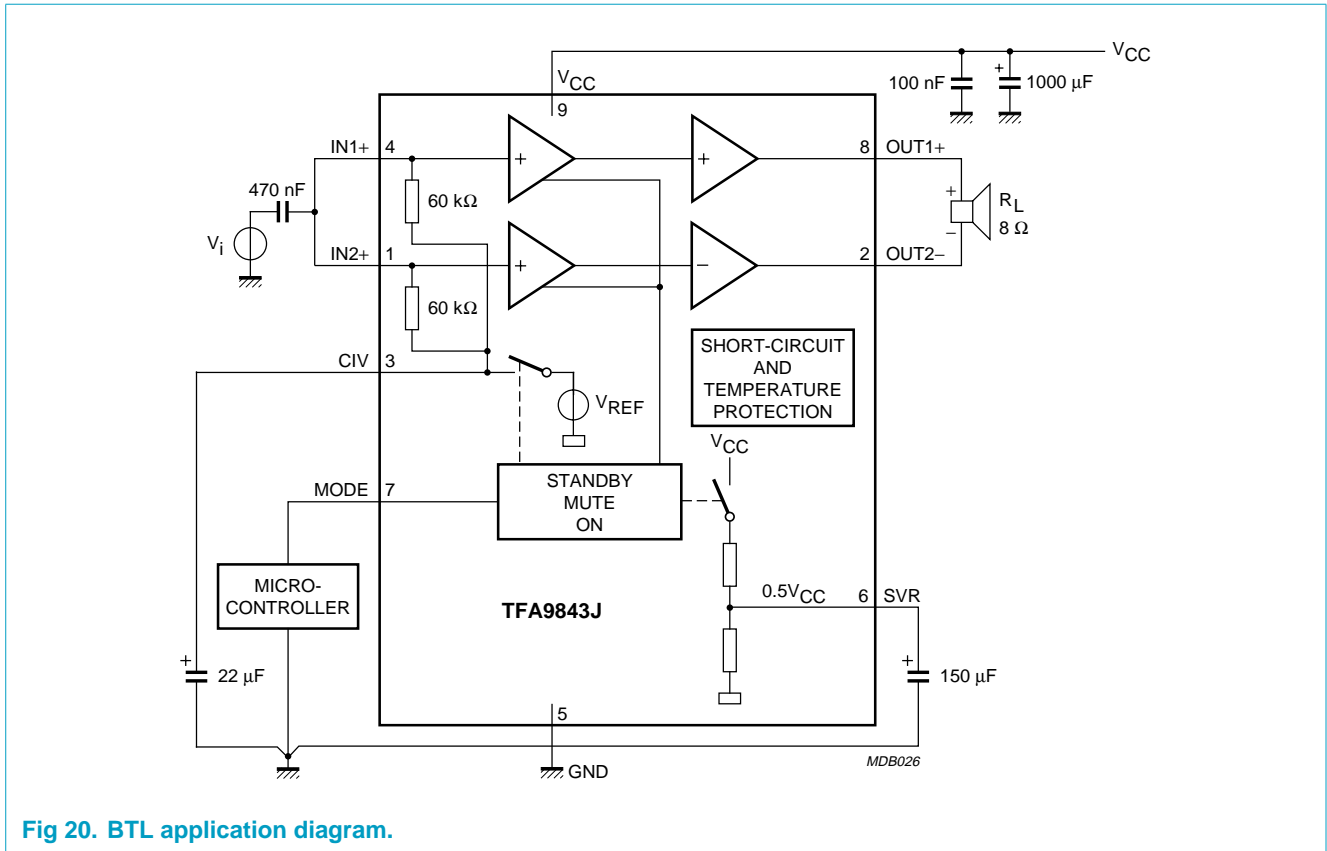


Fig 20. BTL application diagram.

Remark: Switching inductive loads, the output voltage can rise beyond the maximum supply voltage of 28 V. At high supply voltage it is recommended to use (Schottky) diodes to the supply voltage and ground.

13.2 Printed-circuit board

13.2.1 Layout and grounding

To obtain a high-level system performance, certain grounding techniques are essential. The input reference grounds have to be tied with their respective source grounds and must have separate tracks from the power ground tracks; this will prevent the large (output) signal currents from interfering with the small AC input signals. The small-signal ground tracks should be physically located as far as possible from the power ground tracks. Supply and output tracks should be as wide as possible for delivering maximum output power.

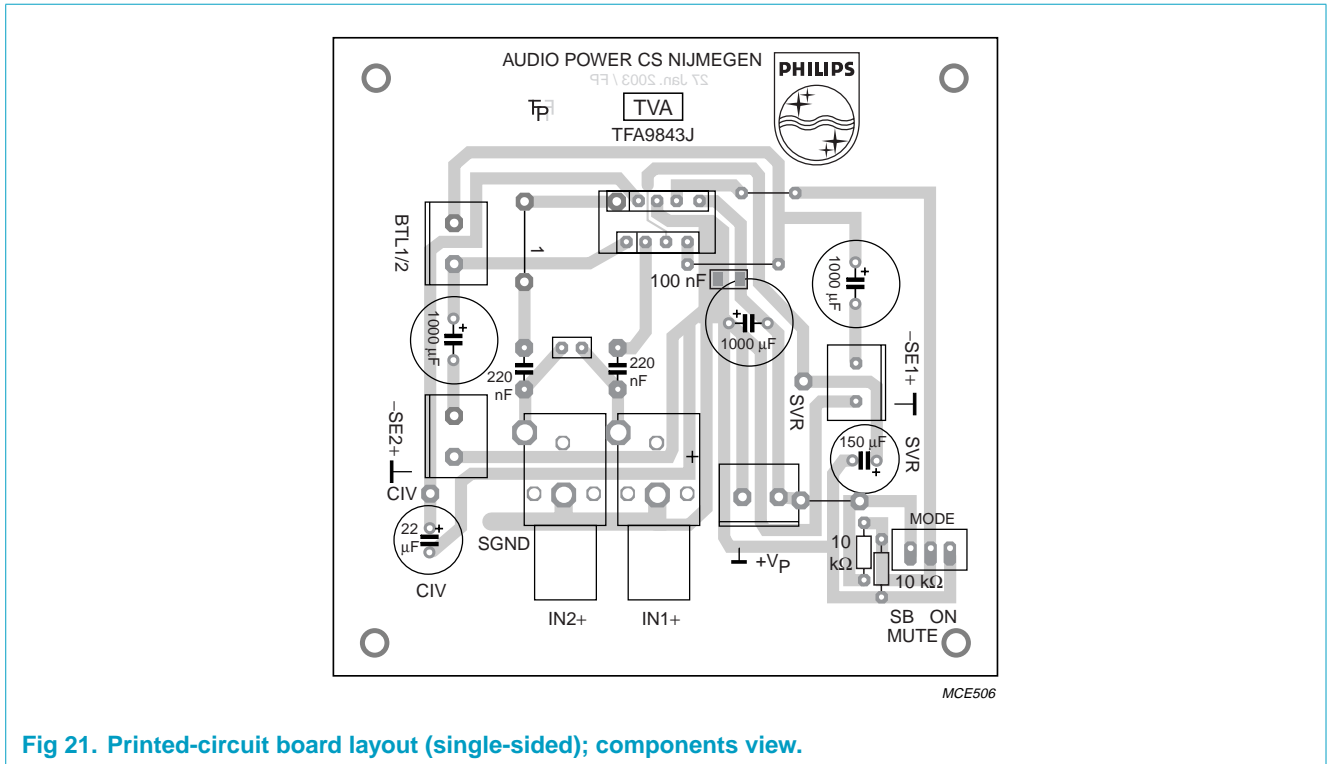


Fig 21. Printed-circuit board layout (single-sided); components view.

13.2.2 Power supply decoupling

Proper supply bypassing is critical for low-noise performance and high supply voltage ripple rejection. The respective capacitor location should be as close as possible to the device and grounded to the power ground. Proper power supply decoupling also prevents oscillations.

For suppressing higher frequency transients (spikes) on the supply line a capacitor with low ESR, typical 100 nF, has to be placed as close as possible to the device. For suppressing lower frequency noise and ripple signals, a large electrolytic capacitor, e.g. 1000 µF or greater, must be placed close to the device.

The bypass capacitor on pin SVR reduces the noise and ripple on the mid rail voltage. For good THD and noise performance a low ESR capacitor is recommended.

13.3 Thermal behavior and heatsink calculation

The measured maximum thermal resistance of the IC package, $R_{th(j-mb)}$, is 2.0 K/W. A calculation for the heatsink can be made, with the following parameters:

- $T_{amb(max)} = 60 \text{ }^\circ\text{C}$ (example)
- $V_{CC} = 18 \text{ V}$ and $R_L = 4 \text{ } \Omega$ (SE)
- $T_{j(max)} = 150 \text{ }^\circ\text{C}$ (specification)

$R_{th(tot)}$ is the total thermal resistance between the junction and the ambient including the heatsink. This can be calculated using the maximum temperature increase divided by the power dissipation:

$$R_{th(tot)} = (T_{j(max)} - T_{amb(max)})/P_D$$

At $V_{CC} = 18\text{ V}$ and $R_L = 4\ \Omega$ (2 x SE) the measured worst-case sine-wave dissipation is 8.4 W; see Figure 13. For $T_{j(\max)} = 150\text{ }^\circ\text{C}$ the temperature raise, caused by the power dissipation, is: $150 - 60 = 90\text{ }^\circ\text{C}$:

$$P \times R_{th(\text{tot})} = 90\text{ }^\circ\text{C}$$

$$R_{th(\text{tot})} = 90/8.4 = 10.7\text{ K/W}$$

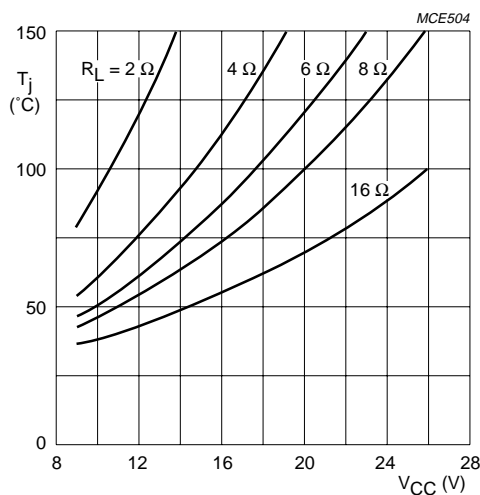
$$R_{th(\text{h-a})} = R_{th(\text{tot})} - R_{th(\text{j-mb})} = 10.7 - 2.0 = 8.7\text{ K/W}$$

This calculation is for an application at worst-case (stereo) sine-wave output signals. In practice music signals will be applied, which decreases the maximum power dissipation to approximately half of the sine-wave power dissipation (see Section 8.2.2). This allows for the use of a smaller heatsink:

$$P \times R_{th(\text{tot})} = 90\text{ }^\circ\text{C}$$

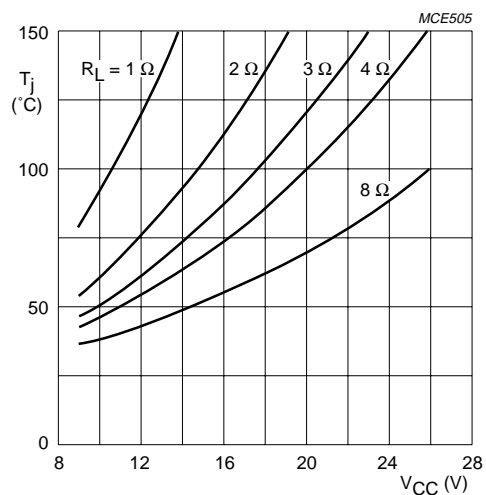
$$R_{th(\text{tot})} = 90/4.2 = 21.4\text{ K/W}$$

$$R_{th(\text{h-a})} = R_{th(\text{tot})} - R_{th(\text{j-mb})} = 21.4 - 2.0 = 19.4\text{ K/W}$$



2 x SE loads; $T_{amb} = 25\text{ }^\circ\text{C}$; external heatsink of 10 K/W; music signals.

Fig 22. Junction temperature versus supply voltage.



BTL loads; $T_{amb} = 25\text{ }^\circ\text{C}$; external heatsink of 10 K/W; music signals.

Fig 23. Junction temperature versus supply voltage.

14. Test information

14.1 Quality information

The *General Quality Specification for Integrated Circuits, SNW-FQ-611* is applicable.

15. Package outline

DBS9P: plastic DIL-bent-SIL power package; 9 leads (lead length 12/11 mm); exposed die pad SOT523-1

SOT523-1

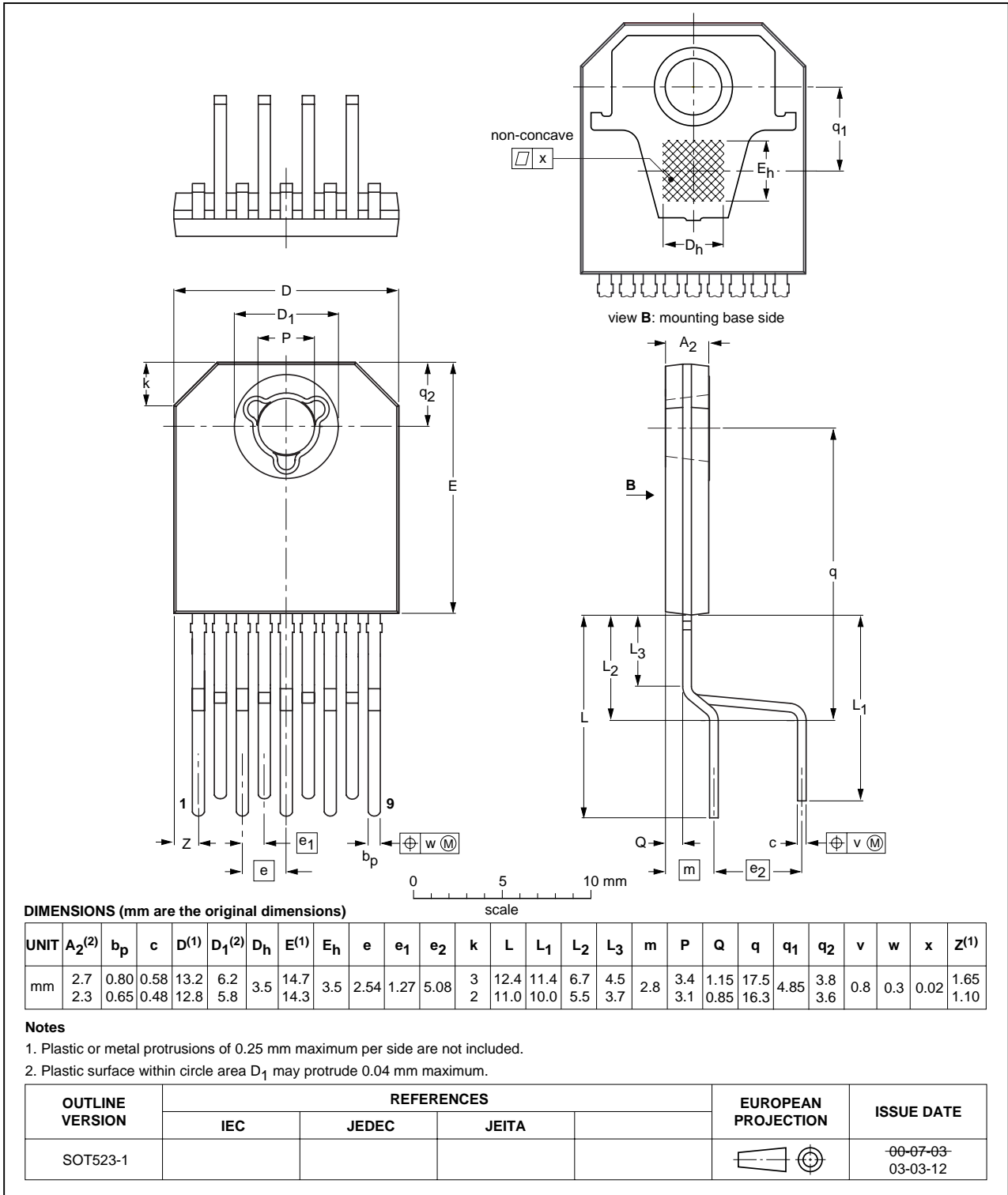


Fig 24. DBS9P package outline.

16. Soldering

16.1 Introduction to soldering through-hole mount packages

This text gives a brief insight to wave, dip and manual soldering. A more in-depth account of soldering ICs can be found in our *Data Handbook IC26; Integrated Circuit Packages* (document order number 9398 652 90011).

Wave soldering is the preferred method for mounting of through-hole mount IC packages on a printed-circuit board.

16.2 Soldering by dipping or by solder wave

Driven by legislation and environmental forces the worldwide use of lead-free solder pastes is increasing. Typical dwell time of the leads in the wave ranges from 3 to 4 seconds at 250 °C or 265 °C, depending on solder material applied, SnPb or Pb-free respectively.

The total contact time of successive solder waves must not exceed 5 seconds.

The device may be mounted up to the seating plane, but the temperature of the plastic body must not exceed the specified maximum storage temperature ($T_{stg(max)}$). If the printed-circuit board has been pre-heated, forced cooling may be necessary immediately after soldering to keep the temperature within the permissible limit.

16.3 Manual soldering

Apply the soldering iron (24 V or less) to the lead(s) of the package, either below the seating plane or not more than 2 mm above it. If the temperature of the soldering iron bit is less than 300 °C it may remain in contact for up to 10 seconds. If the bit temperature is between 300 and 400 °C, contact may be up to 5 seconds.

16.4 Package related soldering information

Table 11: Suitability of through-hole mount IC packages for dipping and wave soldering methods

Package	Soldering method	
	Dipping	Wave
DBS, DIP, HDIP, RDBS, SDIP, SIL	suitable	suitable ^[1]
PMFP ^[2]	–	not suitable

[1] For SDIP packages, the longitudinal axis must be parallel to the transport direction of the printed-circuit board.

[2] For PMFP packages hot bar soldering or manual soldering is suitable.

17. Revision history

Table 12: Revision history

Rev	Date	CPCN	Description
02	20040119	-	Preliminary data (9397 750 12587) Modifications: <ul style="list-style-type: none">• Minor editorial changes.
01	20030915	-	Preliminary data (9397 750 10777)

18. Data sheet status

Level	Data sheet status ^[1]	Product status ^{[2][3]}	Definition
I	Objective data	Development	This data sheet contains data from the objective specification for product development. Philips Semiconductors reserves the right to change the specification in any manner without notice.
II	Preliminary data	Qualification	This data sheet contains data from the preliminary specification. Supplementary data will be published at a later date. Philips Semiconductors reserves the right to change the specification without notice, in order to improve the design and supply the best possible product.
III	Product data	Production	This data sheet contains data from the product specification. Philips Semiconductors reserves the right to make changes at any time in order to improve the design, manufacturing and supply. Relevant changes will be communicated via a Customer Product/Process Change Notification (CPCN).

[1] Please consult the most recently issued data sheet before initiating or completing a design.

[2] The product status of the device(s) described in this data sheet may have changed since this data sheet was published. The latest information is available on the Internet at URL <http://www.semiconductors.philips.com>.

[3] For data sheets describing multiple type numbers, the highest-level product status determines the data sheet status.

19. Definitions

Short-form specification — The data in a short-form specification is extracted from a full data sheet with the same type number and title. For detailed information see the relevant data sheet or data handbook.

Limiting values definition — Limiting values given are in accordance with the Absolute Maximum Rating System (IEC 60134). Stress above one or more of the limiting values may cause permanent damage to the device. These are stress ratings only and operation of the device at these or at any other conditions above those given in the Characteristics sections of the specification is not implied. Exposure to limiting values for extended periods may affect device reliability.

Application information — Applications that are described herein for any of these products are for illustrative purposes only. Philips Semiconductors make no representation or warranty that such applications will be suitable for the specified use without further testing or modification.

20. Disclaimers

Life support — These products are not designed for use in life support appliances, devices, or systems where malfunction of these products can reasonably be expected to result in personal injury. Philips Semiconductors customers using or selling these products for use in such applications do so at their own risk and agree to fully indemnify Philips Semiconductors for any damages resulting from such application.

Right to make changes — Philips Semiconductors reserves the right to make changes in the products - including circuits, standard cells, and/or software - described or contained herein in order to improve design and/or performance. When the product is in full production (status 'Production'), relevant changes will be communicated via a Customer Product/Process Change Notification (CPCN). Philips Semiconductors assumes no responsibility or liability for the use of any of these products, conveys no licence or title under any patent, copyright, or mask work right to these products, and makes no representations or warranties that these products are free from patent, copyright, or mask work right infringement, unless otherwise specified.

Contact information

For additional information, please visit <http://www.semiconductors.philips.com>.

For sales office addresses, send e-mail to: sales.addresses@www.semiconductors.philips.com.

Fax: +31 40 27 24825

Contents

1	General description	1
2	Features	1
3	Applications	1
4	Quick reference data	2
5	Ordering information	2
6	Block diagram	3
7	Pinning information	3
7.1	Pinning	3
7.2	Pin description	4
8	Functional description	4
8.1	Input configuration	4
8.2	Power amplifier	4
8.2.1	Output power measurement	5
8.2.2	Headroom	5
8.3	Mode selection	5
8.4	Supply voltage ripple rejection	6
8.5	Built-in protection circuits	6
9	Limiting values	7
10	Thermal characteristics	7
11	Static characteristics	7
12	Dynamic characteristics	8
13	Application information	13
13.1	Application diagrams	13
13.2	Printed-circuit board	14
13.2.1	Layout and grounding	14
13.2.2	Power supply decoupling	15
13.3	Thermal behavior and heatsink calculation ..	15
14	Test information	16
14.1	Quality information	16
15	Package outline	17
16	Soldering	18
16.1	Introduction to soldering through-hole mount packages	18
16.2	Soldering by dipping or by solder wave	18
16.3	Manual soldering	18
16.4	Package related soldering information	18
17	Revision history	19
18	Data sheet status	20
19	Definitions	20
20	Disclaimers	20



PHILIPS

Let's make things better.