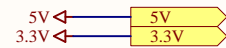


TL866-CPU



1

2

3

4

A

A

B

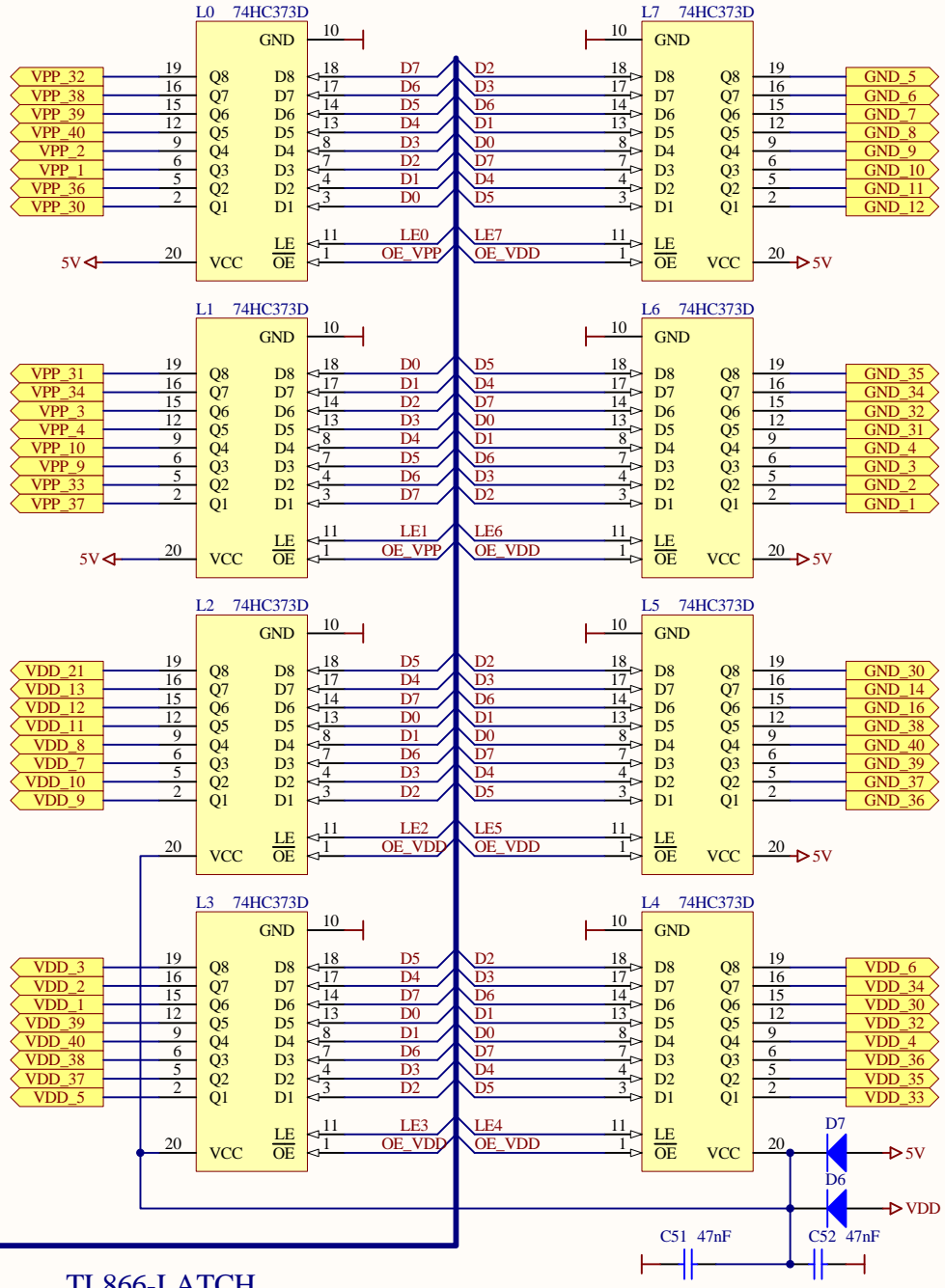
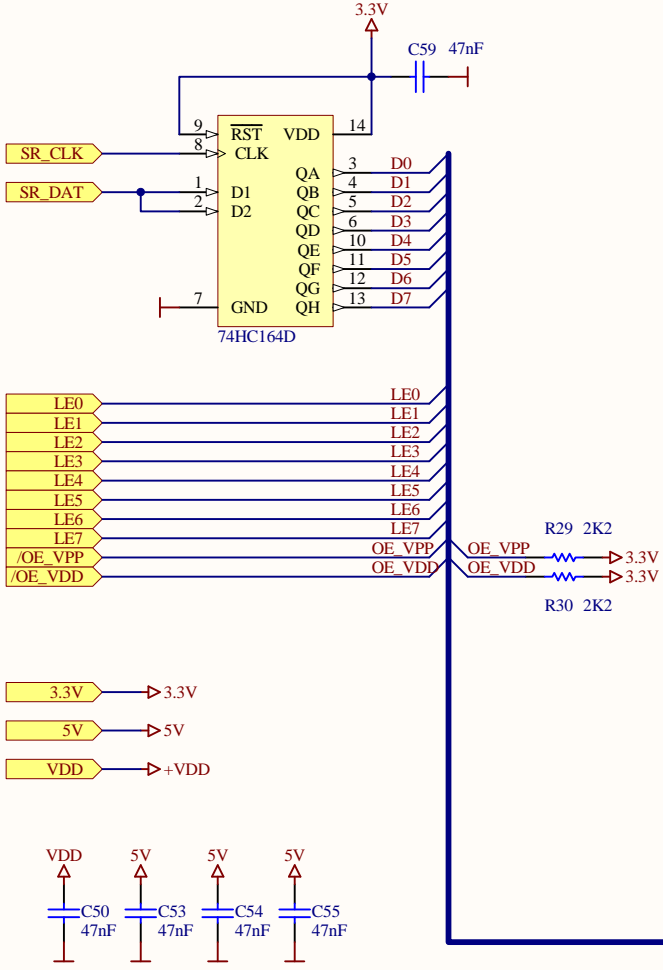
B

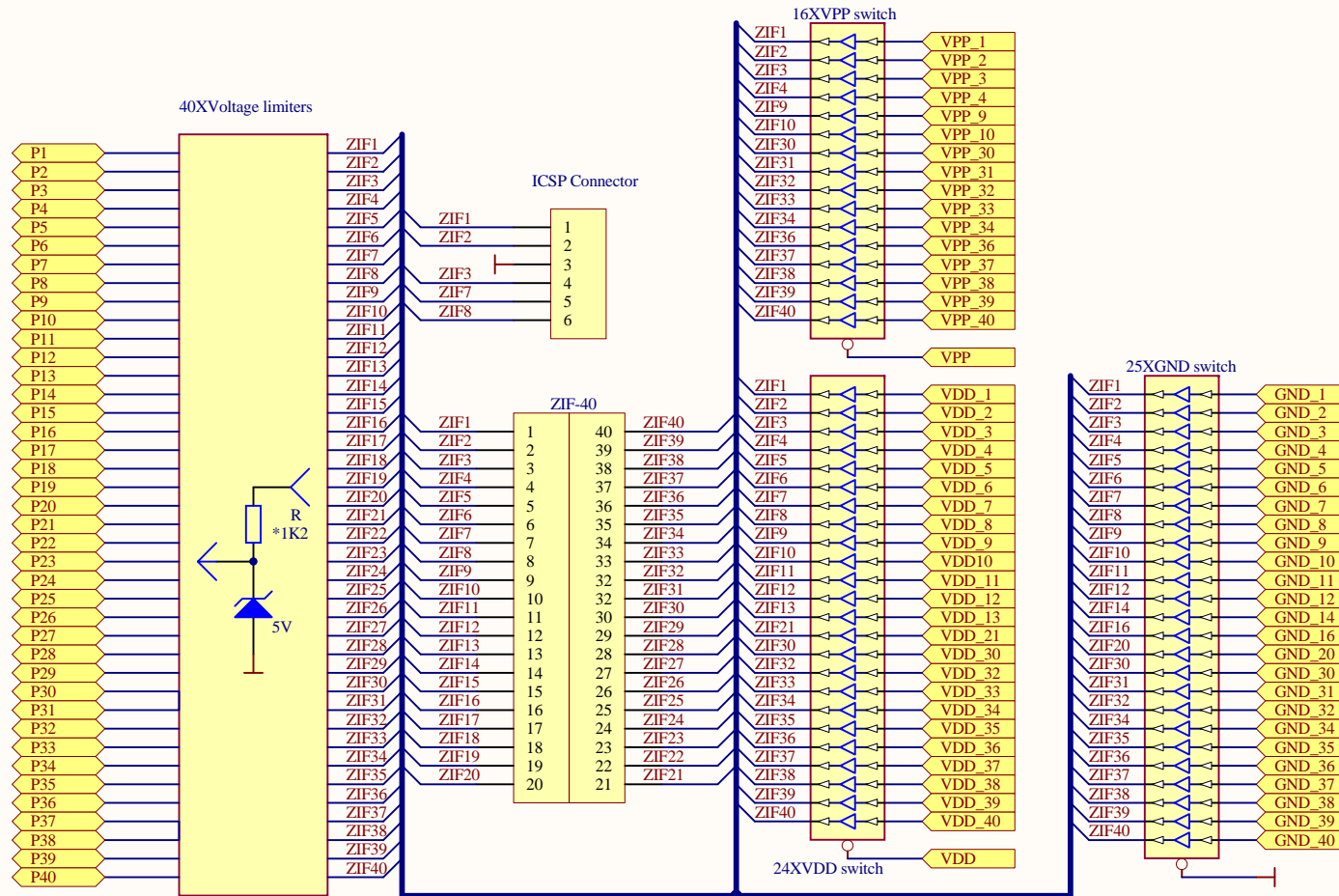
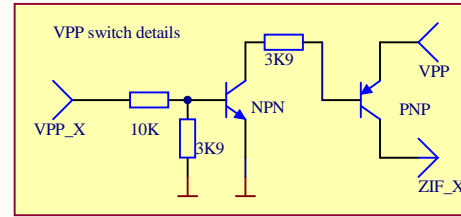
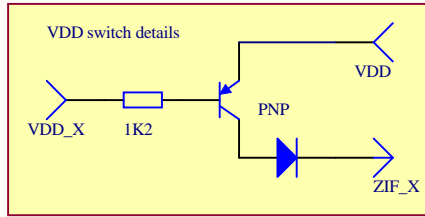
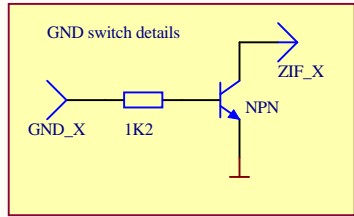
C

C

D

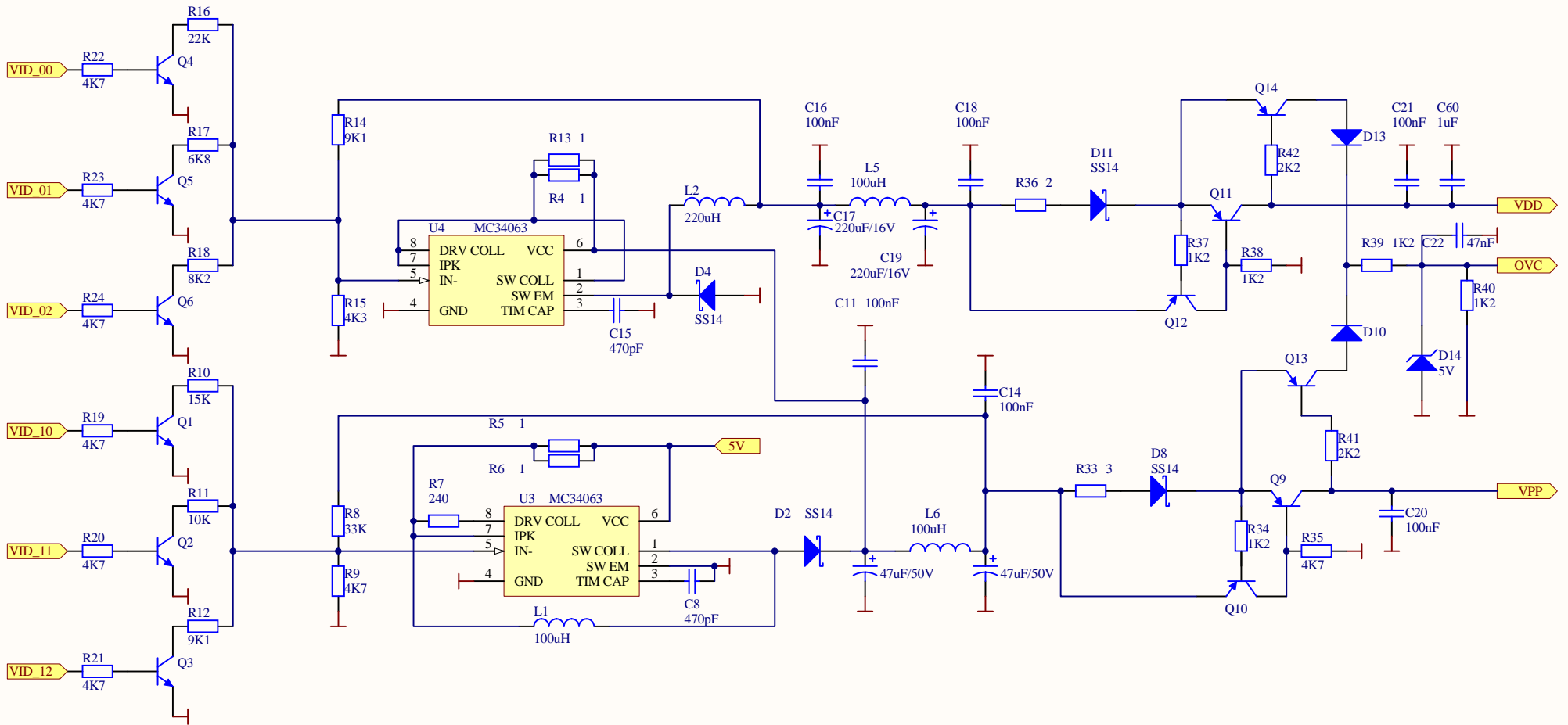
D





* For pin 28 R=50; pin 38&40 R=240

TL866-PIN DRIVERS



TL866-DC to DC converters