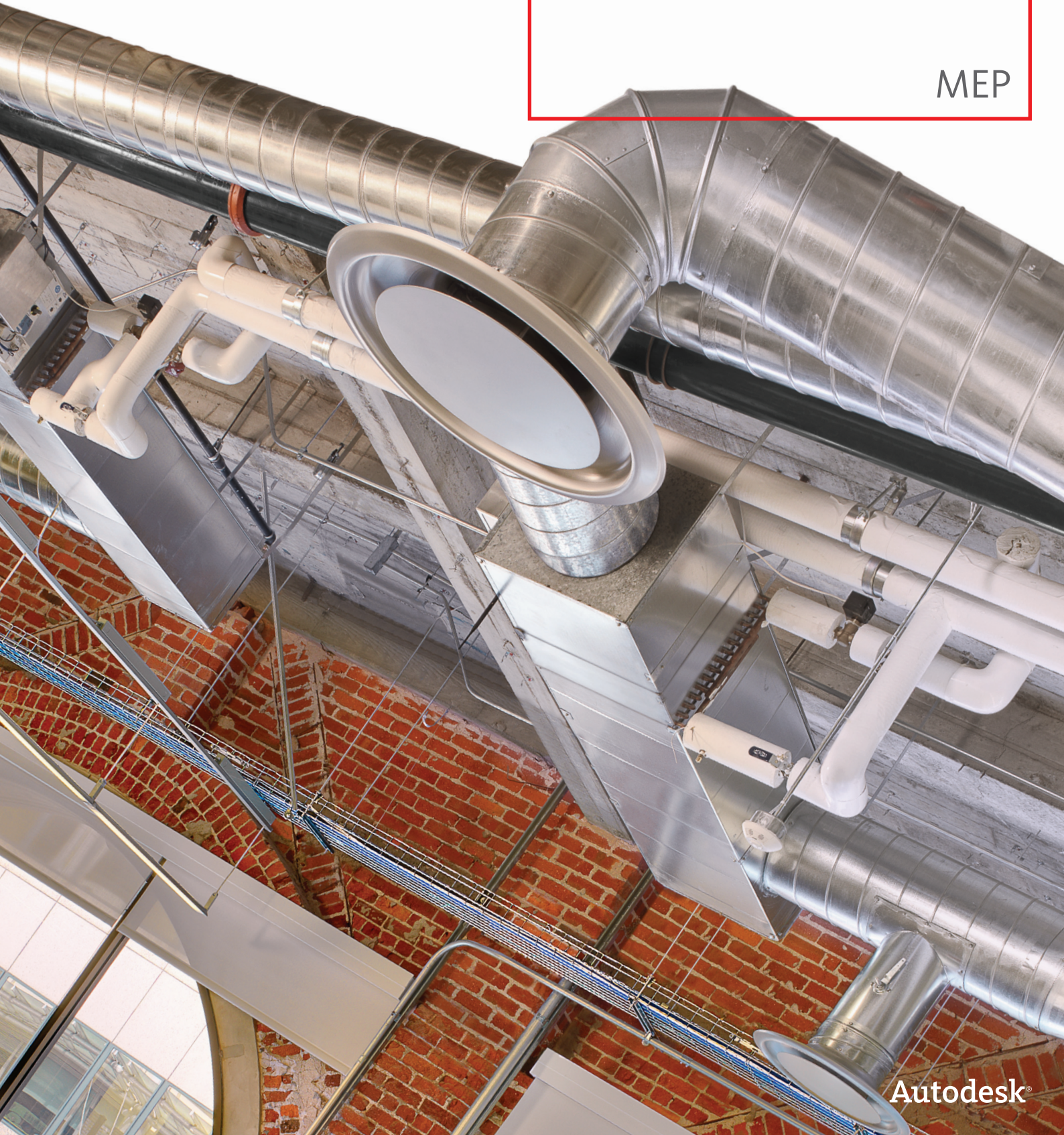


Bring your building systems to life.

AutoCAD[®]

MEP



Autodesk[®]

Draft. Design. Deliver.

Take advantage of discipline-specific design and documentation tools to help increase drafting productivity.

AutoCAD® MEP software automates drafting tasks, helping to enhance productivity, improve accuracy, and enable smooth integrations of discipline-specific design and documentation tools.

Whether a building project is led by an architect or developed by a team of engineering professionals, AutoCAD MEP helps design teams decrease coordination issues, save time spent on repetitive tasks, and deliver projects faster with higher-quality documentation.

More Accurate Designs

With constant requests to accommodate last-minute changes, mechanical, electrical, and plumbing (MEP) professionals need to create and edit designs as efficiently as possible. AutoCAD MEP enables users to more easily assess designs, sizing, and system balances with integrated calculators that help increase accuracy and reduce errors.

Coordinate Design Information

Using AutoCAD MEP can help minimize requests for information (RFIs) and costly design changes in the field by providing more accurate and consistent construction documents. Design systems using real-world parts and equipment, that can be used throughout the fabrication and construction of the building, help save time and money.

Effective Collaboration

Take advantage of architectural and structural plans developed using AutoCAD®-based software applications to help extended teams better coordinate and collaborate with professionals from other disciplines.

AutoCAD MEP software helps to decrease interferences prior to construction, which enables greater coordination and collaboration and helps reduce risk and inefficiencies.

Familiar AutoCAD Environment

AutoCAD MEP is built on AutoCAD software and provides access to all of the familiar commands. That means you can protect your investment in training while taking advantage of mechanical, electrical, and plumbing tools at your own pace.

Industry-Based or Task-Based Workspaces

If you work in a multidisciplinary firm and perform several different design tasks, such as both HVAC and piping systems designs, workspaces are particularly useful for saving user interface configurations that are tailored to specific tasks. Once the workspaces are created, it is easier to switch between them as needed.

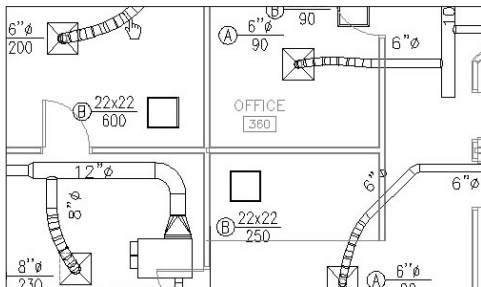


Fast. Faster. Fastest workflow.

Improve design accuracy by automating repetitive drafting tasks, reviewing and checking designs, and simulating sizing and system balances.

Schematic Design

Enhanced schematic tool palettes logically group commonly used tools, so users can more easily create riser diagrams and schematic plans. The Properties palette provides a central location for viewing, adding, and modifying the properties of an MEP object or element. Users can review information or change styles, dimensions, locations, property set data, and other important characteristics as well as change basic properties or the object itself. Access to equipment parts and the ability to easily modify available equipment and devices help to enhance accuracy and improve productivity.



Fabrication for MEP Contractors

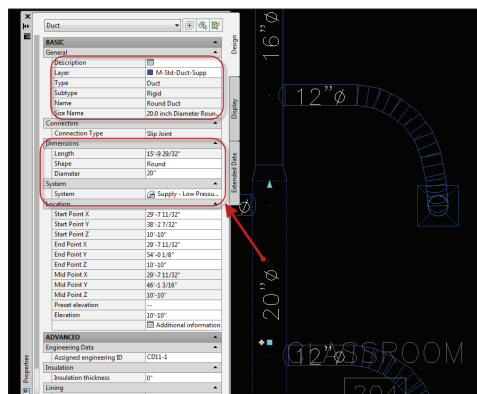
With smoother integration of fabrication partner tools into AutoCAD MEP software, MEP designers, drafters, and contractors can utilize their AutoCAD MEP design for the fabrication of sheet metal, plumbing, and piping, making it easier to create shop drawings.

Single/Double-Line Design

Automate your workflow by creating construction documents more efficiently with single line for design development, then converting automatically to double line for construction documents. Lay out mechanical systems in single line with unsized parts early in the design process, and then use duct-sizing tools and convert the layout to double line. Enhanced sizing tools help to increase drafting productivity when moving from design development.

Smart Annotation of Objects

Annotate once for all scales. Annotative text and symbols automatically change for each view based on the scale. Users can annotate objects with labels that consist of text or block definitions. The information in the label comes from object properties, such as connection size.



Engineering Display Themes

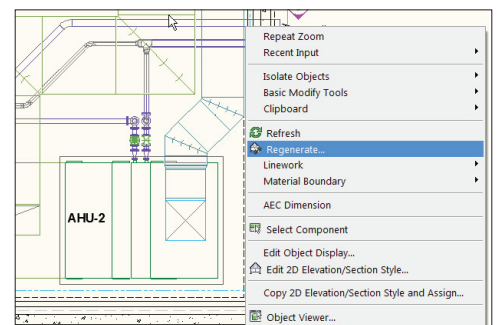
Typically, manual properties of an object—such as a duct's friction loss or velocity—are not visible in a drawing. Display themes enables the incorporation of such nongraphical data; colors, fills, or hatches can highlight objects that meet criteria you established in a display-theme style. For example, check your HVAC design calculations based on friction loss or velocity to assess performance for a particular area or room. Also use the display theme By Pressure Class to visually show the high, medium, and low pressure per piping class to more easily identify potential design flaws.

Synchronized Schedules

Designers and drafters can schedule engineering system data, calculate values, and use new table styles to lay out room and analysis schedules. Schedules are automatically updated as the design changes, which helps to reduce errors and save time. Create schedules as you lay out your design, and see the schedule populate automatically. It is possible to create schedules with varying levels of detail by defining and attaching sets of properties to object styles or to individual objects and then extracting and displaying the data in a schedule table.

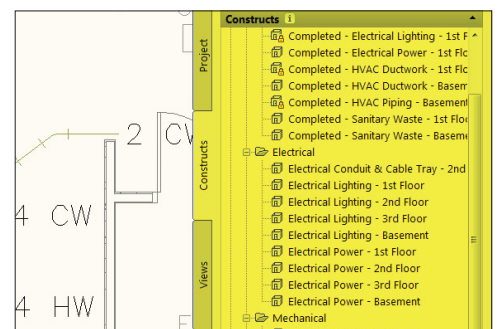
Seamless Sections and Elevations

No longer wait until the end of your design process to create sections and elevations; instead, quickly create them at any time. You can control the size and shape of the section you generate and assign materials to the section for an optimal visual representation of the sectioned objects.



Drawing Management

The Drawing Management feature formalizes and automates the processes related to building system design and documentation. The feature provides automated tools that aid in the management, viewing, and construction of building systems. When project files are managed with this feature, you have greater consistency in all aspects of the project, and everyone on the design team has a centralized project environment for accessing the most current documents. Powerful linking features help ensure that source files are distributed over many different locations on a computer or on a network, so different people can work simultaneously on the same project.



AEI has always been an engineering firm that takes pride in producing highly coordinated documents. AutoCAD MEP has helped us do that faster. Now when I draw a piece of ductwork or a pipe or a light, I get realtime feedback and know immediately whether that coordination fits.

—Blythe Marlow
Mechanical Engineer
Affiliated Engineers, Inc.

Learn More or Purchase

Access specialists worldwide who can provide product expertise, a deep understanding of your industry, and value that extends beyond your software purchase. To purchase AutoCAD MEP software, contact an Autodesk Premier Solutions Provider or Autodesk Authorized Reseller. Locate a reseller near you at www.autodesk.com/reseller.

Autodesk Learning and Education

From instructor-led or self-paced classes to online training or education resources, Autodesk offers learning solutions to fit your needs. Get expert guidance at an Autodesk Authorized Training Center (ATC[®]) site, access learning tools online or at your local bookstore, and validate your experience with Autodesk certifications. Learn more at www.autodesk.com/learning.

Autodesk Services and Support

Accelerate return on investment and optimize productivity with innovative purchase methods, companion products, consulting services, and support from Autodesk and Autodesk authorized partners. Designed to get you up to speed and keep you ahead of the competition, these tools help you make the most of your software purchase—no matter what industry you are in. Learn more at www.autodesk.com/servicesandsupport.

Autodesk Subscription

Autodesk[®] Subscription gives you immediate access to software upgrades and exclusive access to service and support benefits designed to help you get the most out of your Autodesk software. Learn more at www.autodesk.com/subscription.

*Free products are subject to the terms and conditions of the end-user license agreement that accompanies download of this software.

Autodesk, ATC, and AutoCAD are registered trademarks or trademarks of Autodesk, Inc., and/or its subsidiaries and/or affiliates in the USA and/or other countries. All other brand names, product names or trademarks belong to their respective holders. Autodesk reserves the right to alter product offerings and specifications at any time without notice, and is not responsible for typographical or graphical errors that may appear in this document.

© 2010 Autodesk, Inc. All rights reserved. BR0B1-000000-MZ35