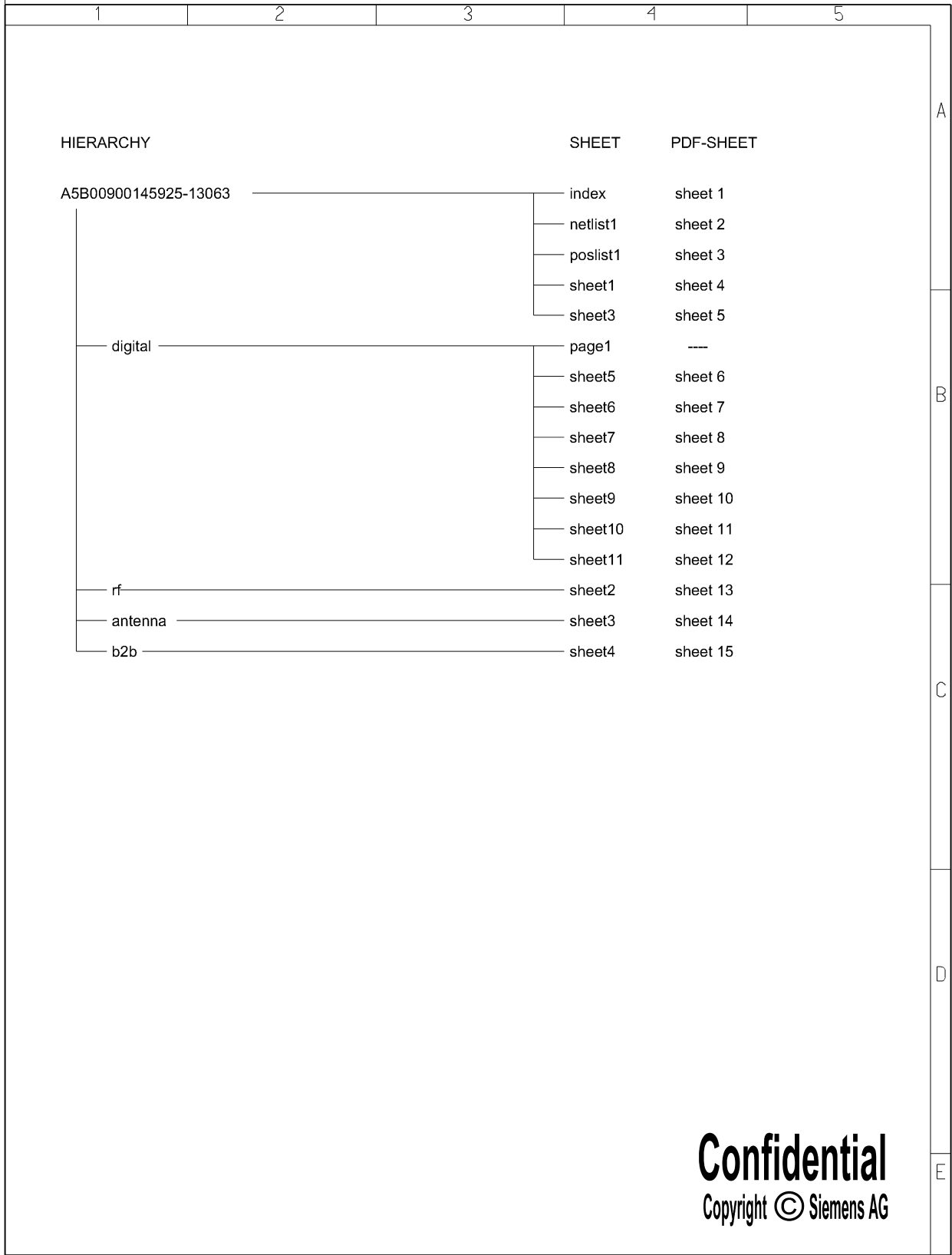


Proprietary data, company confidential.
All rights reserved

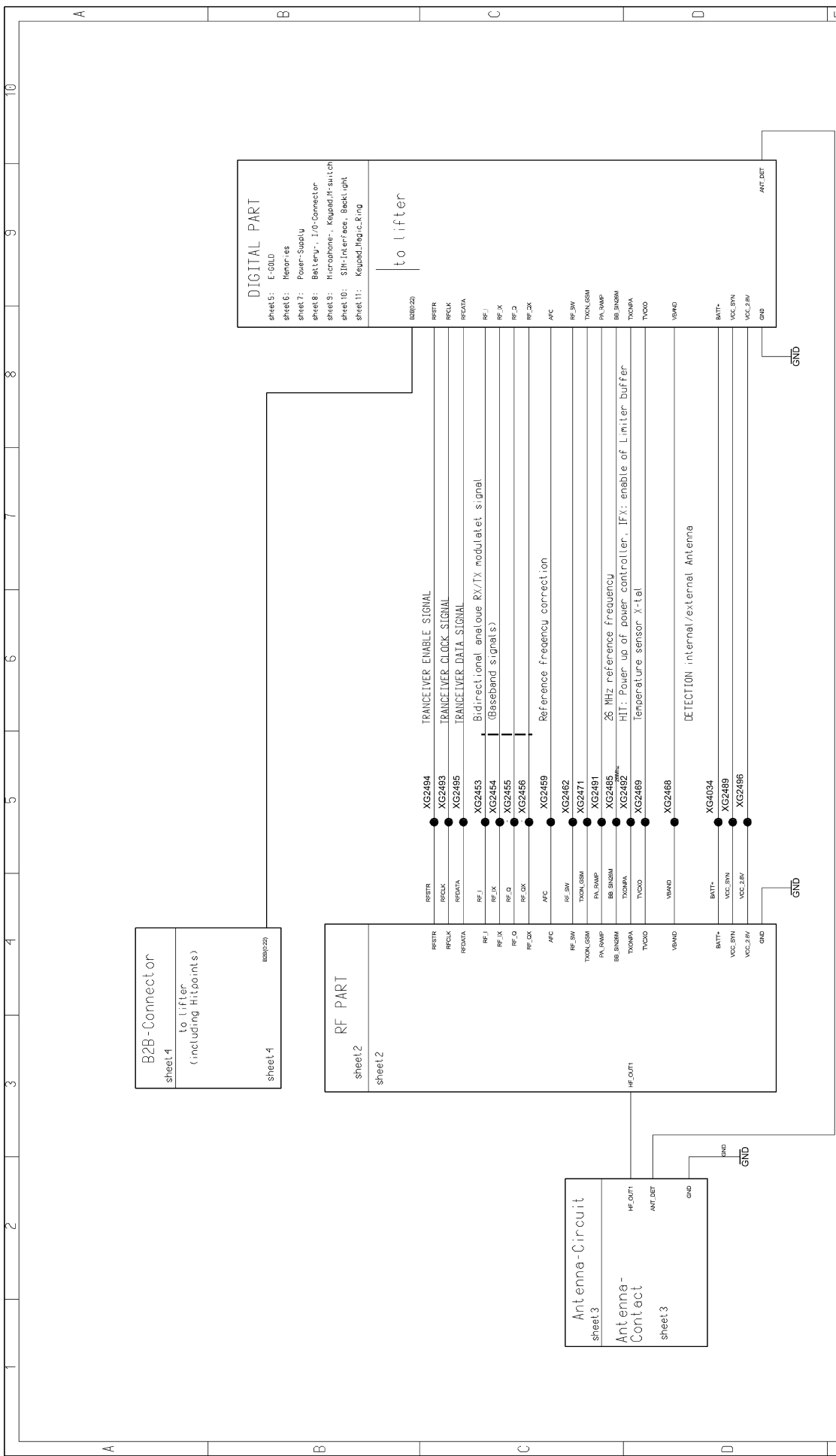
Als Betriebsgeheimnis anvertraut
Alle Rechte vorbehalten



Confidential
Copyright © Siemens AG

				DATE	18.03.2004	Leopard ASSEMBLY V1 B2.1 Layout Hitachi TOP HIERARCHY LEVEL SCHEMATIC	1:1
				USER	Liuqiaohong		
				APPR'D			
				MP PD LPD BJ			
				Siemens AG		65856	index
2	13067	18.03.2004	Liu				
1	12534	18.02.2004	Liu				
VBRS.	CHANGE NUMBER	DATE	NAME	(Created by BOM number: A5B00900125352-13067)			

Alle Rechte vorbehalten
 Als Betriebsgeheimnis anvertraut
 Proprietary data, company confidential.
 All rights reserved



B2B-Connector
 sheet 4
 to Lifter
 (including fit points)
 sheet 4
 6580(22)

RF PART
 sheet 2
 sheet 2
 RFETR
 RFCLK
 RFDATA
 RF_I
 RF_IK
 RF_Q
 RF_QK
 RF_QX
 AFC
 RF_SW
 TXON_GSM
 PA_SWMP
 BB_SWAMP
 TXONPA
 TXVCO
 VSWND
 BATT+
 VCC_SW
 VCC_3RV
 GND

Antenna-Circuit
 sheet 3
 HF_OUT1
 ANT_DET
 GND
 sheet 3
 Antenna-
 Contact
 sheet 3

DIGITAL PART
 sheet 5: E-GOLD
 sheet 6: Memories
 sheet 7: Power-Suppl U
 sheet 8: HiCrphone - keypad, Hi-switch
 sheet 10: SIM-Interface, Backlight
 sheet 11: keypad, Ring, Ring
 to lifter
 6580(22)
 RFETR
 RFCLK
 RFDATA
 RF_I
 RF_IK
 RF_Q
 RF_QK
 RF_QX
 AFC
 RF_SW
 TXON_GSM
 PA_SWMP
 BB_SWAMP
 TXONPA
 TXVCO
 VSWND
 BATT+
 VCC_SW
 VCC_3RV
 GND
 ANT_DET

Confidential
 Copyright © Siemens AG

DATE	18.03.2004	USER	Liuqiang
APPR'D			
MP	PD	LPD	BJ
Siemens AG			
2	13067	18.03.2004	Liu
1	12534	18.02.2004	Liu
VERS.	CHANGE NUMBER	DATE	NAME
Leopard ASSEMBLY V1 B2.1 Layout Hitachi TOP HIERARCHY LEVEL SCHEMATIC			
65856			sheet1
(Created by BOM number: A5500900125352-13067)			

Alle Rechte vorbehalten
all rights reserved
Proprietary data, Company confidential.

Als Betriebsgeheimnis anvertraut

Confidential
Copyright © Siemens AG

DATE	18.03.2004
USER	UweKobang
APPR'D	
MP_PD_LPD_BJ	
Siemens AG	
18.03.2004	Uw
18.02.2004	Uw
19.07	1234
2	13097
DATE	DATE
CHANGE NUMBER	DATE

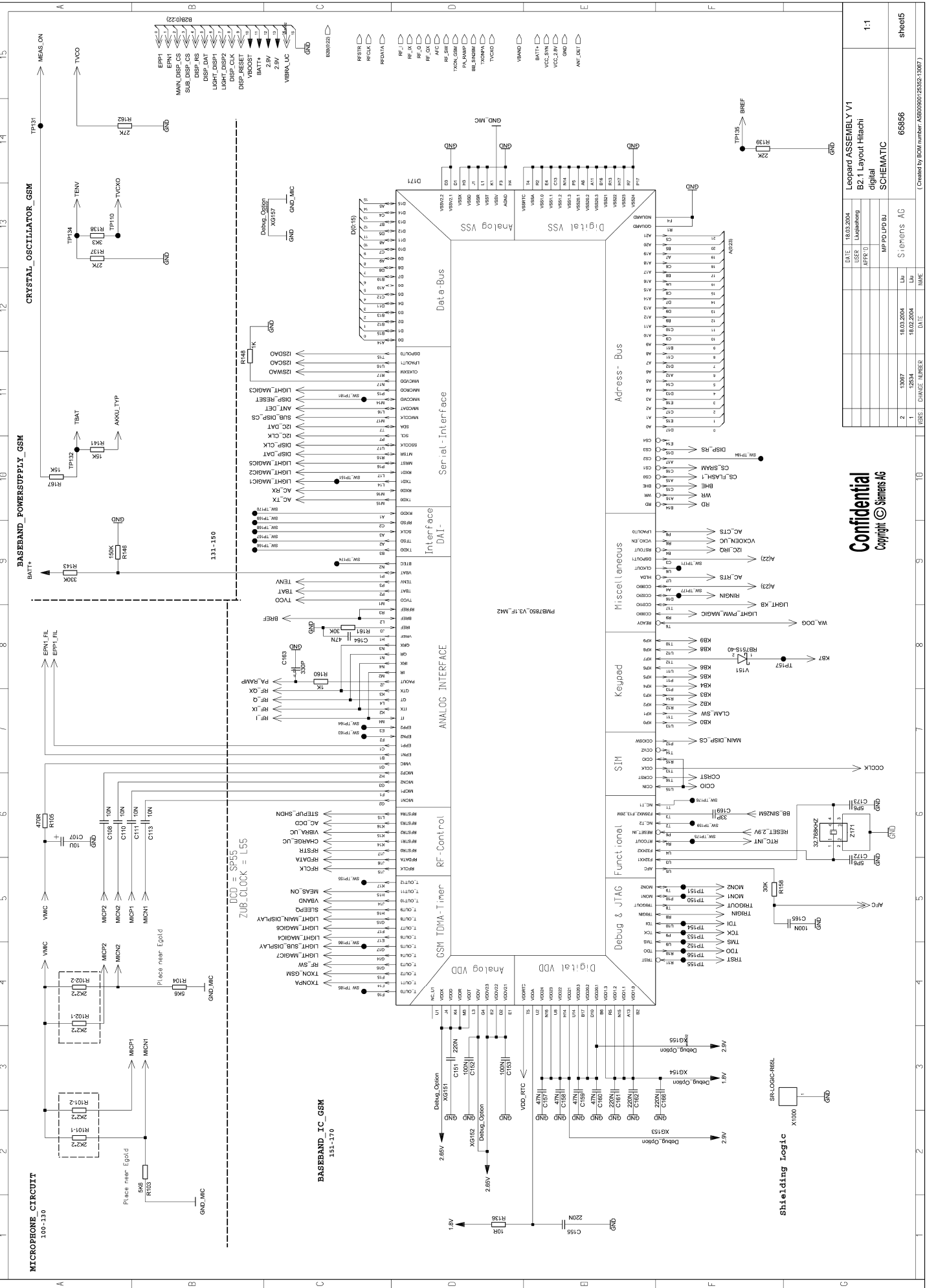
Leopard ASSEMBLY V1
B2.1 Layout Hilachi
TOP HIERARCHY LEVEL
SCHEMATIC

1:1

65656

(Created by BOM number: AS5090126352, 13097)

sheet03



Alle Rechte vorbehalten
 Proprietary data, Company confidential.
 all rights reserved

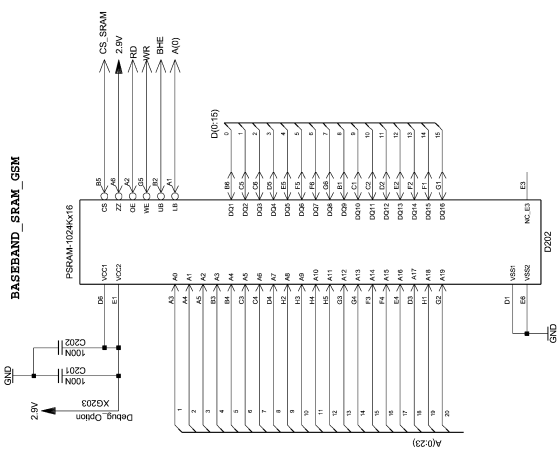
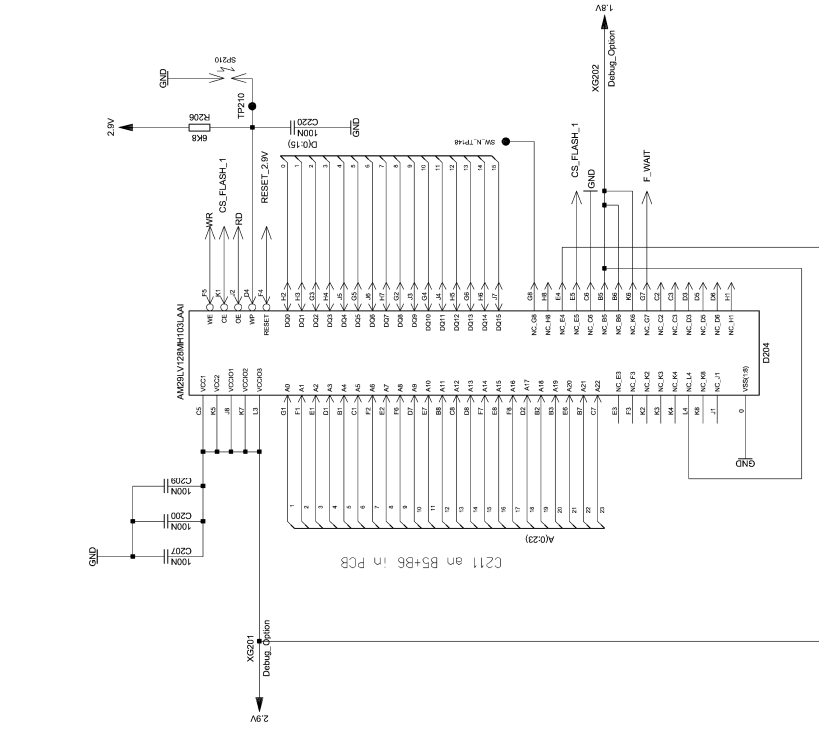
DATE	18.03.2004	USER	Ludwig
APR 01		MP PD_LPD_BJ	
18.03.2004		18.03.2004	
18.03.2004		18.03.2004	
19.07		12.04	
2	1307		
WRS	CHANGE_NUMBER	DATE	

Confidential
 Copyright © Siemens AG

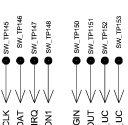
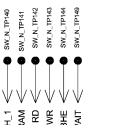
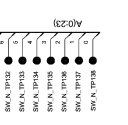
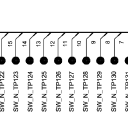
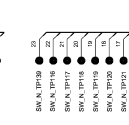
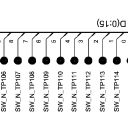
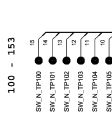
Leopard ASSEMBLY V1	65556	Siemens AG
B2.1 Layout Hitachi		
digital		
SCHEMATIC		

BASEBAND_FLASH_GSM
201 - 210

Proprietärs daten. Company confidential.
Alle Rechte vorbehalten



SW-TESTPUNKTE



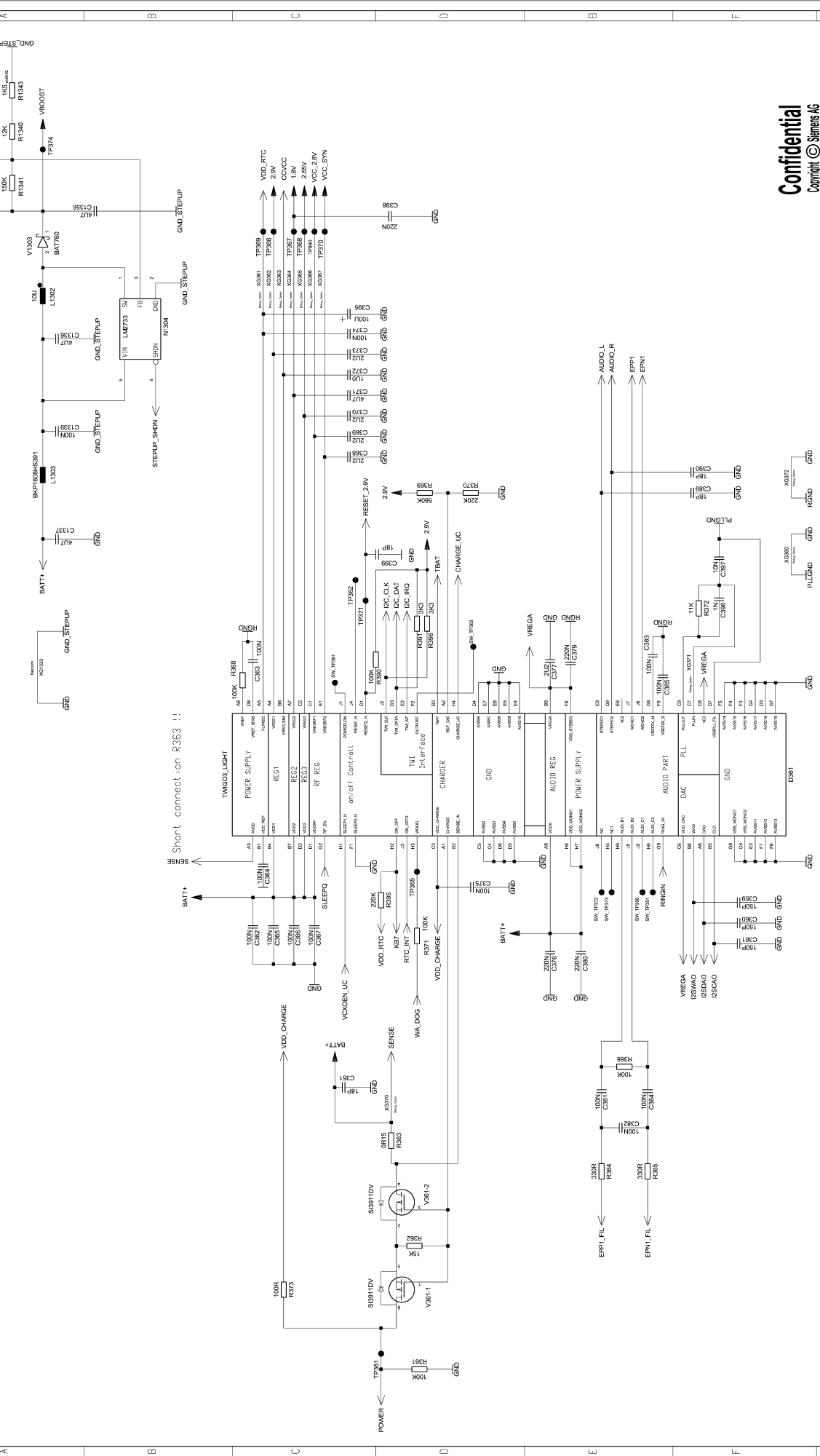
Confidential
Copyright © Siemens AG

DATE	18.03.2004	Leopard ASSEMBLY V1	1:1
USER	UweBorsh	B2.1 Layout Hitachi	
APPR. 0		digital	
MP_PD_LPD_EJ		SCHEMATIC	
Lib	Siemens AG	65656	sheet6
DATE	18.03.2004		
Lib	2534		
DATE	18.02.2004		
Lib	13097		
DATE	18.02.2004		
Lib	12534		
DATE	18.02.2004		
Lib	13097		
DATE	18.02.2004		
Lib	12534		
DATE	18.02.2004		
Lib	13097		

(Created by BOM number: A5509012535; 13097)

BASEBAND_POWER_SUPPLY_GSM

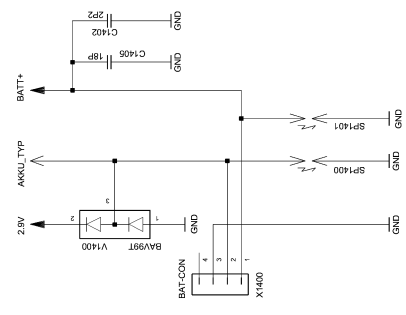
15 14 13 12 11 10 9 8 7 6 5 4 3 2 1



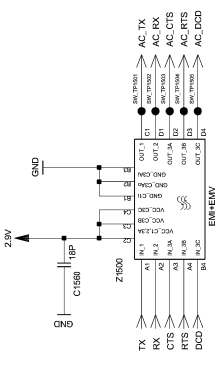
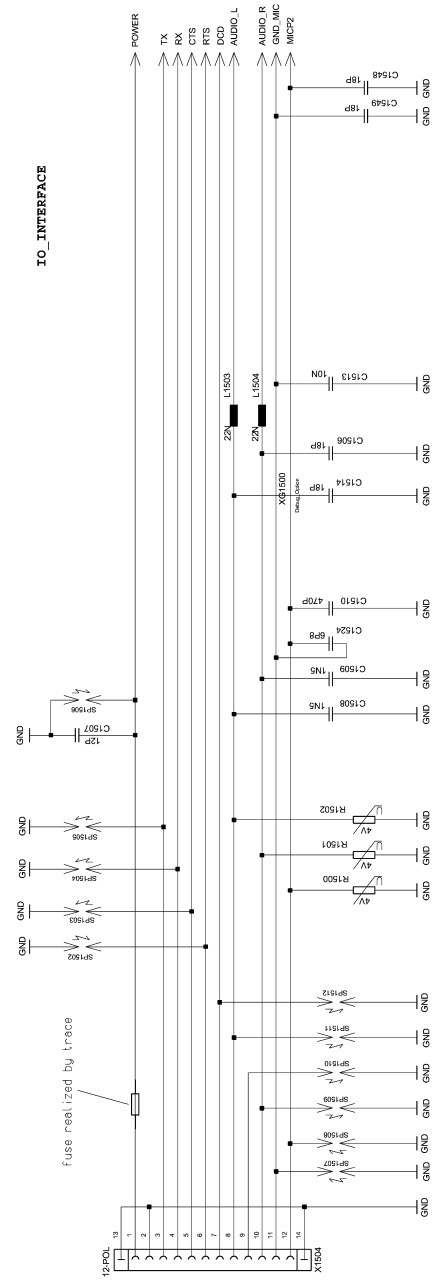
all rights reserved
Proprietary data, Company confidential.
Alle Rechte vorbehalten
Siemens AG

DATE	18.03.2004	USER	Luebbert
APPR'D		MP	PD_LPD_BJ
Siemens AG			
Leopard ASSEMBLY V1			
B2.1 Layout Hitachi			
digital			
SCHEMATIC			
65566			
DATE	18.03.2004	DATE	18.03.2004
TIME	13:57	TIME	12:34
FILE	CHANGE	USER	EPN1

BATTERY CONNECTOR

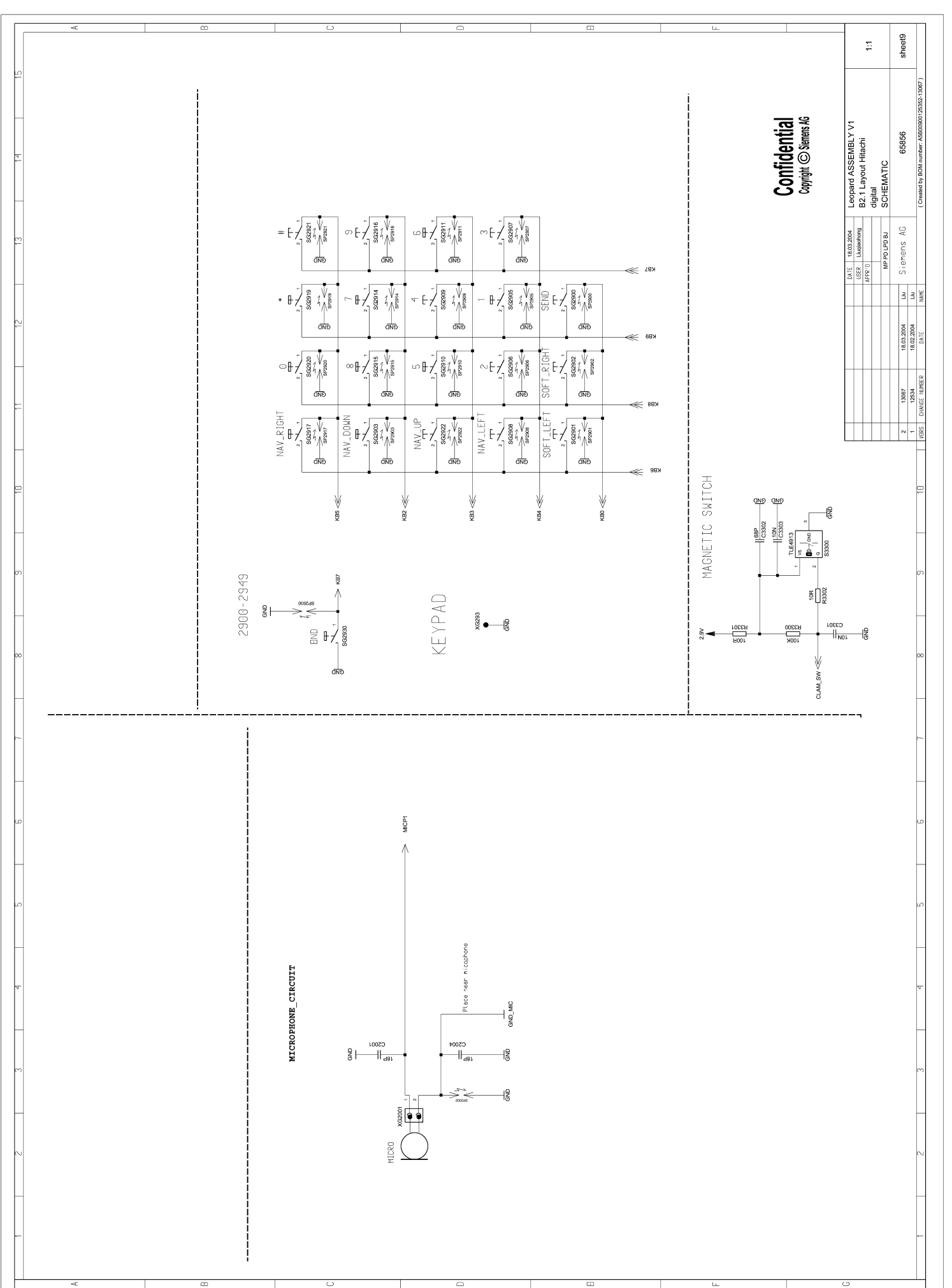


IO_INTERFACE



Confidential
Copyright © Siemens AG

DATE	18.03.2004	Leopard ASSEMBLY V1
USER	LuiseKornhuber	B2.1 Layout Hitachi
APPR'D		digital
	MP.PD.LPD.BJ	SCHEMATIC
	Siemens AG	65656
		sheet8
DATE	18.03.2004	Lib
	18.02.2004	Lib
	19.07	Lib
DATE	12.8.4	Lib
DATE	19.07	Lib
DATE	18.02.2004	Lib
DATE	18.02.2004	Lib
DATE	19.07	Lib

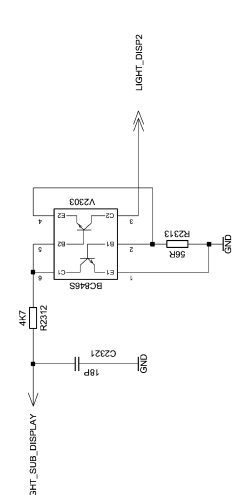
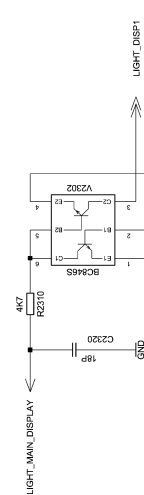
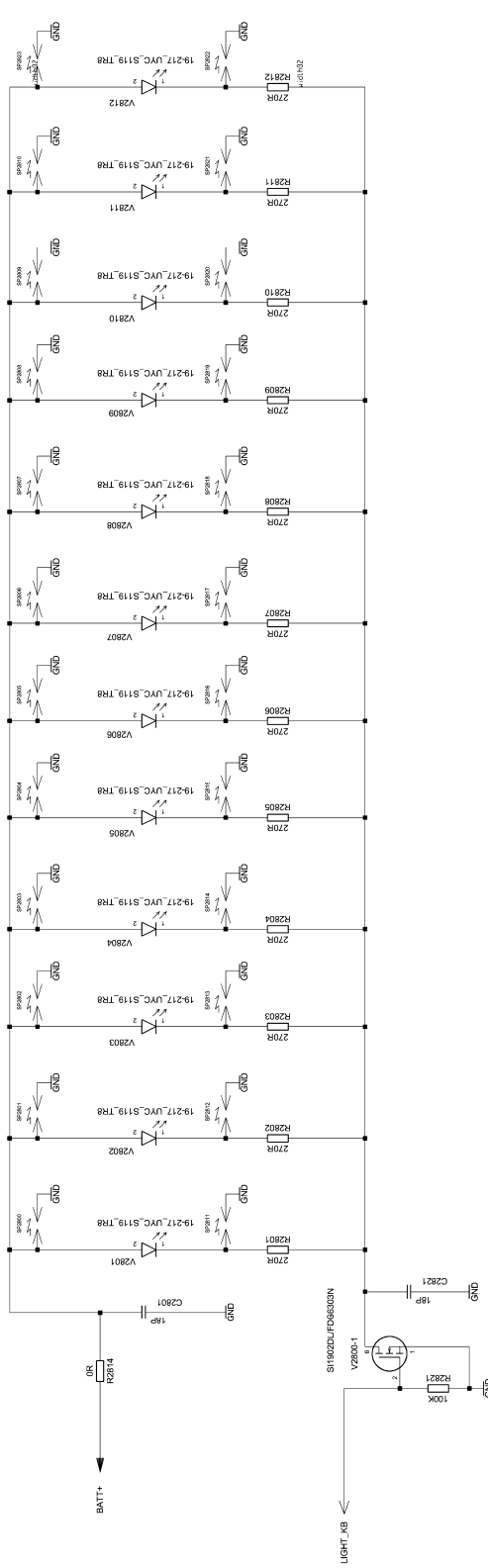


Confidential
Copyright © Siemens AG

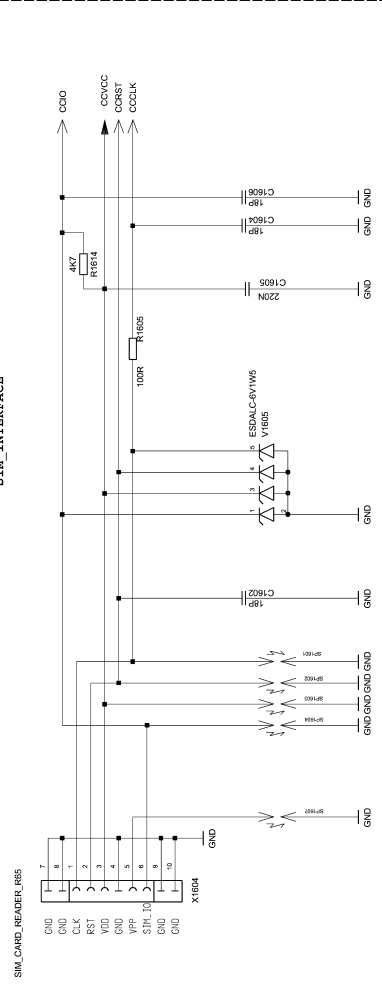
DATE	18.03.2004	Leopard ASSEMBLY V1
USER	Ullrich	B2.1 Layout Hitachi
APPR'D		digital
		SCHHEMATIC
		MP PD_LPD_BJ
MP	Siemens AG	65566
DATE	18.03.2004	18.02.2004
USER	Liu	Liu
DATE	13.07	12.04
MP	CHANGE_NUMBER	DATE
MP	CHANGE_NUMBER	DATE

KEYPAD_BACKLIGHT

2800-2899



STM_INTERFACE



Alle Rechte vorbehalten
 Copyright © Siemens AG

Confidential
 Copyright © Siemens AG

DATE	18.03.2004	USER	UweHahn
APPRO		MP	PD_LPD_BJ
DATE	18.03.2004	DATE	18.02.2004
DATE	19.07	DATE	12.04
WIRE	2	CHANGE	NUMBER
WIRE	18032004	DATE	18022004
WIRE	1907	DATE	1204
WIRE	2	CHANGE	NUMBER

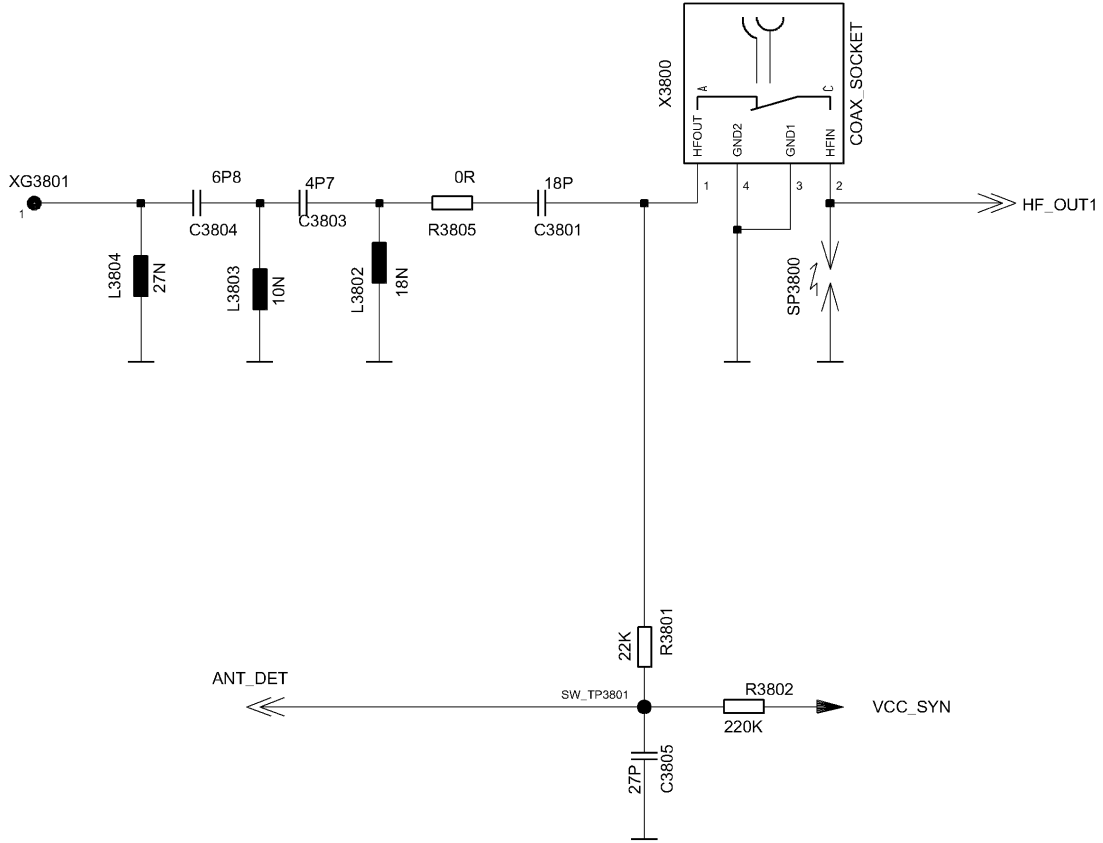
Leopard ASSEMBLY V1	65656	sheet10
B2.1 Layout Hitachi		
digital		
SCHEMATIC		
Siemens AG		
(Created by BOM number: ASB090128352.13807)		

Proprietary data, company confidential.
All rights reserved

Als Betriebsgeheimnis anvertraut
Alle Rechte vorbehalten

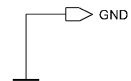
ANTENNA_CIRCUIT 3800 - 3849

ANTENNA Contact



HF_OUT1 \leftarrow \rightarrow HF_OUT1

ANT_DET \leftarrow \rightarrow ANT_DET



Confidential

Copyright © Siemens AG

Schematic updated due
Platform-Schematic CW22

				DATE	18.03.2004	Leopard ASSEMBLY V1 B2.1 Layout Hitachi antenna SCHEMATIC	1:1
				USER	Liuqiaohong		
				APPR'D			
				MP PD LPD BJ			
				Siemens AG			
	2	13067	18.03.2004	Liu	65856		sheet3
	1	12534	18.02.2004	Liu			
VBRS.	CHANGE NUMBER	DATE	NAME	(Created by BOM number: A5B00900125352-13067)			

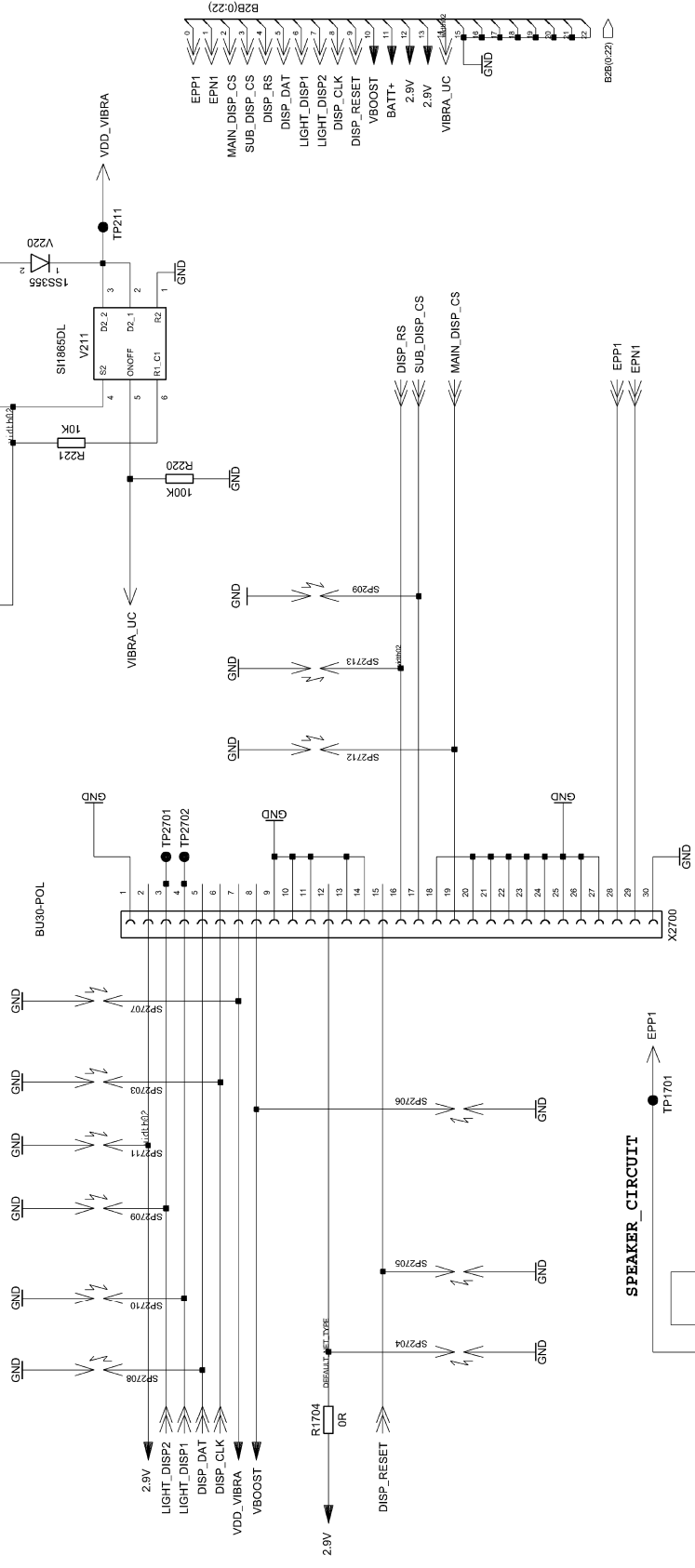
Alle Betriebsgeheimnisse anvertraut
 Proprietary data, company confidential.
 All rights reserved

BOARD TO BOARD CONNECTOR

VIBRA_CIRCUIT
 211 - 230

MMI CONNECTOR

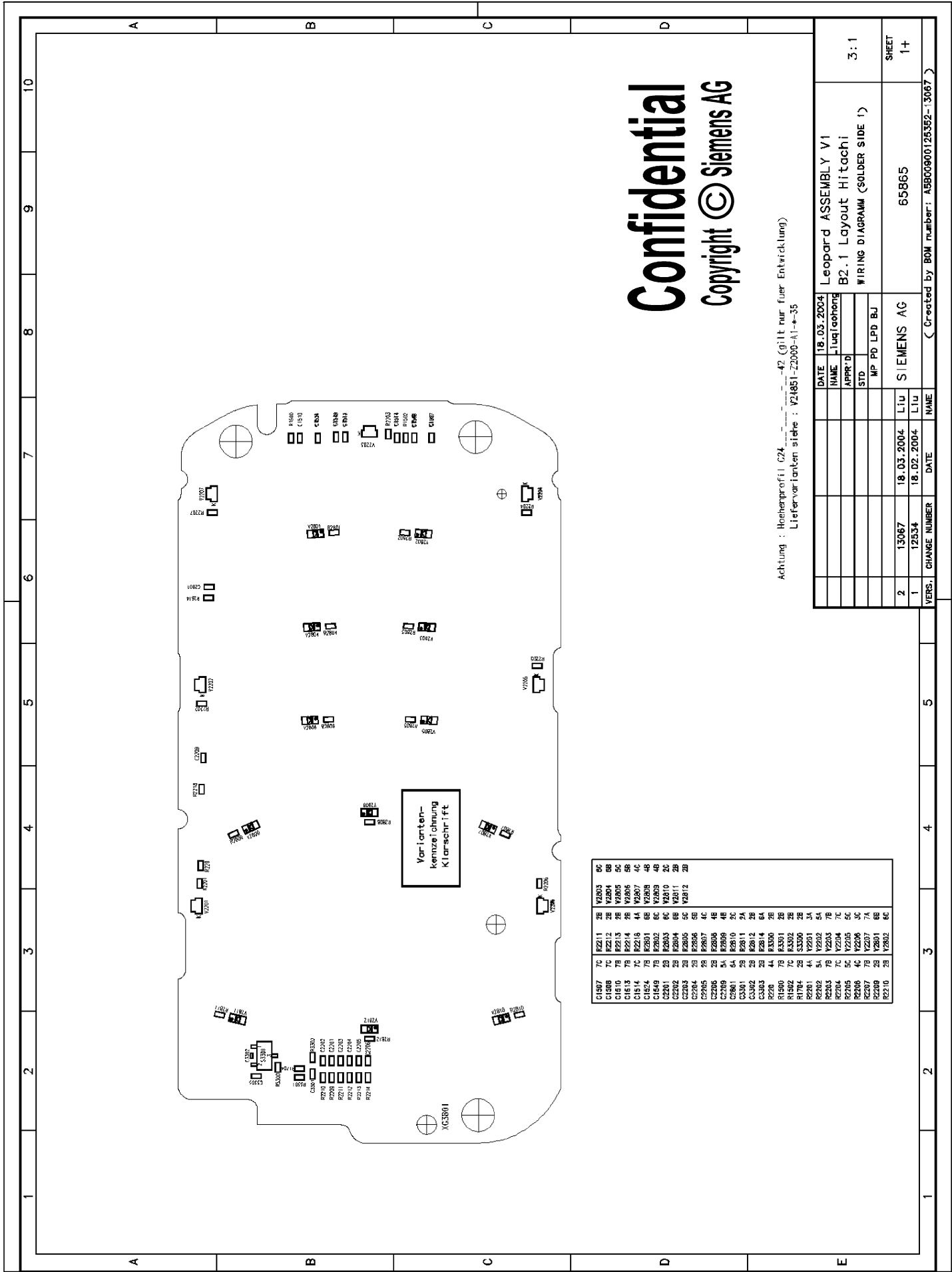
!! TEMPORARILY !!



SPEAKER_CIRCUIT

Confidential
 Copyright © Siemens AG

DATE	18.03.2004	USER	Liuqiang
APPR'D			
MP	PD	LPD	BJ
Siemens AG			
2	13067	18.03.2004	Liu
1	12534	18.02.2004	Liu
VERS.	CHANGE NUMBER	DATE	NAME
Leopard ASSEMBLY V1			
B2.1 Layout Hitachi			
b2b			
SCHEMATIC			
65856			sheet4
1:1			
(Created by BOM number: A5B00900125352-13067)			



Confidential
 Copyright © Siemens AG

Achtung : Höhenprofil C24...-42 (gilt nur fuer Entwicklung)
 Liefervarianten siehe : V21851-Z2000-A1-+-35

DATE	18.03.2004	NAME	Liu
APPR'D		STD	
MP	PD	LPD	BJ
SIEMENS AG			
VERS.	CHANGE NUMBER	DATE	NAME
2	13067	18.03.2004	Liu
1	12534	18.02.2004	Liu
Leopard ASSEMBLY V1			
B2.1 Layout Hitachi			
WIRING DIAGRAM (SOLDER SIDE 1)			
			SHEET
			1+
			65865
Created by BOM number: A5B00900125352-13067			

C1487	7C	R2211	2B	V2803	6C
C1488	7C	R2212	2B	V2804	6B
C1510	7B	R2213	2B	V2805	5C
C1513	7B	R2214	2B	V2806	6B
C1514	7C	R2216	4A	V2807	4C
C1524	7B	R2801	6B	V2808	4B
C1525	6B	R2802	6C	V2809	5C
C2301	2B	R2803	6B	V2810	2C
C2302	2B	R2804	6B	V2811	2B
C2303	2B	R2805	5C	V2812	2B
C2304	2B	R2806	5B		
C2305	2B	R2807	4C		
C2306	2B	R2808	4B		
C2309	5A	R2809	4B		
C3301	2B	R2810	3C		
C3302	2B	R2812	2B		
C3303	2B	R3300	2B		
C3304	4A	R3300	2B		
R1580	7B	R3301	2B		
R1582	7C	R3302	2B		
R1784	2B	S3300	2B		
R2201	4A	V2201	3A		
R2202	5A	V2202	5A		
R2203	7B	V2203	7B		
R2204	7C	V2204	7C		
R2205	5C	V2205	5C		
R2206	7B	V2206	7B		
R2207	7B	V2207	7B		
R2208	2B	V2801	6B		
R2210	2B	V2802	6C		

PROPRIETARY DATA, COMPANY CONFIDENTIAL
ALL RIGHTS RESERVED

ALS BETRIEBSGHEIMNIS AVANTRAUT
ALLE RECHTE VORBEHALTEN

A

B

C

D

A

B

C

D

DATE	18.03.2004
NAME	Liulechans
APPR'D	
STD	
MP	PD LPD BJ
DATE	18.03.2004
Liulechans	
DATE	18.02.2004
Liulechans	

Leopard ASSEMBLY V1
B2.1 Layout Hitachi
WIRING DIAGRAM (SOLDER SIDE 2)

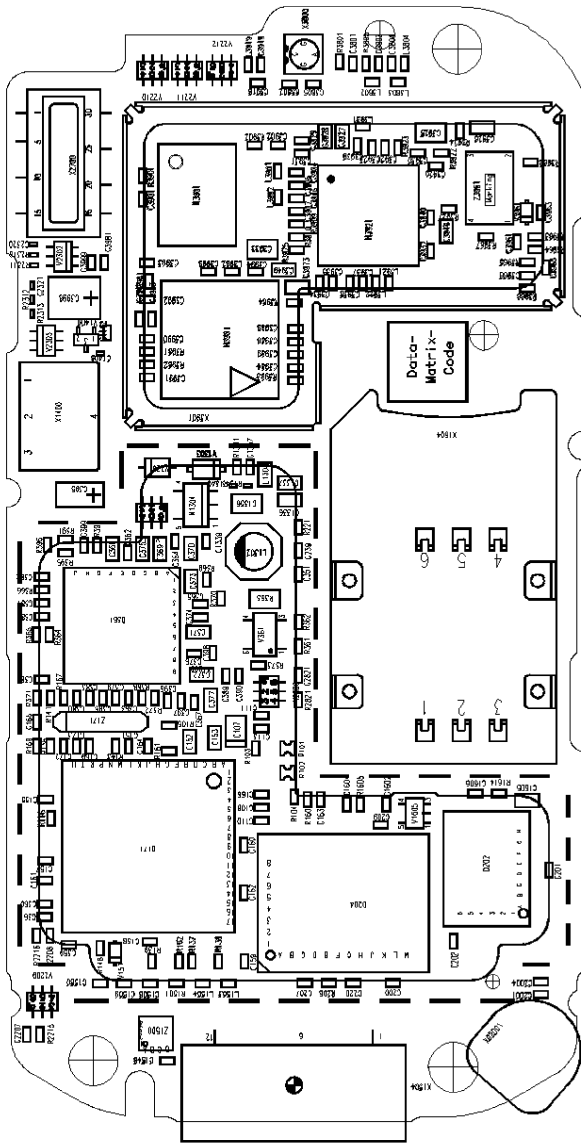
3:1

SIEMENS AG
65865

SHEET
2+

VERS.	CHANGE NUMBER	DATE	NAME
2	13087	18.03.2004	Liulechans
1	12534	18.02.2004	Liulechans

Created by BOM number: A5B00900125352-13067



Confidential
Copyright © Siemens AG

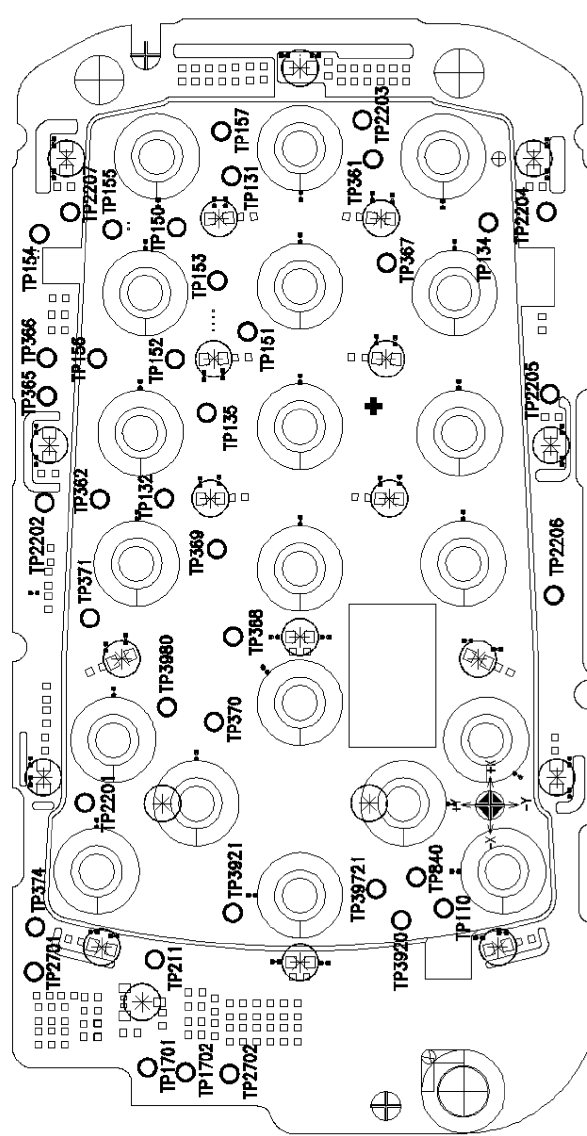
Achtung : Höhenprofil: C24
Liefervarianten siehe : V21851-Z2000-A1-e-35
-42 (gilt nur fuer Entwicklung)

C107	C108	C109	C110	C111	C112	C113	C114	C115	C116	C117	C118	C119	C120	C207	C208	C209	C210	C211	C212	C213	C214	C215	C216	C217	C218	C219	C220	C309	C310	C311	C312	C313	C314	C315	C316	C317	C318	C319	C320	C321	C322	C323	C324	C325	C326	C327	C328	C329	C330	C331	C332	C333	C334	C335	C336	C337	C338	C339	C340	C341	C342	C343	C344	C345	C346	C347	C348	C349	C350	C351	C352	C353	C354	C355	C356	C357	C358	C359	C360	C361	C362	C363	C364	C365	C366	C367	C368	C369	C370	C371	C372	C373	C374	C375	C376	C377	C378	C379	C380	C381	C382	C383	C384	C385	C386	C387	C388	C389	C390	C391	C392	C393	C394	C395	C396	C397	C398	C399	C400	C401	C402	C403	C404	C405	C406	C407	C408	C409	C410	C411	C412	C413	C414	C415	C416	C417	C418	C419	C420	C421	C422	C423	C424	C425	C426	C427	C428	C429	C430	C431	C432	C433	C434	C435	C436	C437	C438	C439	C440	C441	C442	C443	C444	C445	C446	C447	C448	C449	C450	C451	C452	C453	C454	C455	C456	C457	C458	C459	C460	C461	C462	C463	C464	C465	C466	C467	C468	C469	C470	C471	C472	C473	C474	C475	C476	C477	C478	C479	C480	C481	C482	C483	C484	C485	C486	C487	C488	C489	C490	C491	C492	C493	C494	C495	C496	C497	C498	C499	C500	C501	C502	C503	C504	C505	C506	C507	C508	C509	C510	C511	C512	C513	C514	C515	C516	C517	C518	C519	C520	C521	C522	C523	C524	C525	C526	C527	C528	C529	C530	C531	C532	C533	C534	C535	C536	C537	C538	C539	C540	C541	C542	C543	C544	C545	C546	C547	C548	C549	C550	C551	C552	C553	C554	C555	C556	C557	C558	C559	C560	C561	C562	C563	C564	C565	C566	C567	C568	C569	C570	C571	C572	C573	C574	C575	C576	C577	C578	C579	C580	C581	C582	C583	C584	C585	C586	C587	C588	C589	C590	C591	C592	C593	C594	C595	C596	C597	C598	C599	C600	C601	C602	C603	C604	C605	C606	C607	C608	C609	C610	C611	C612	C613	C614	C615	C616	C617	C618	C619	C620	C621	C622	C623	C624	C625	C626	C627	C628	C629	C630	C631	C632	C633	C634	C635	C636	C637	C638	C639	C640	C641	C642	C643	C644	C645	C646	C647	C648	C649	C650	C651	C652	C653	C654	C655	C656	C657	C658	C659	C660	C661	C662	C663	C664	C665	C666	C667	C668	C669	C670	C671	C672	C673	C674	C675	C676	C677	C678	C679	C680	C681	C682	C683	C684	C685	C686	C687	C688	C689	C690	C691	C692	C693	C694	C695	C696	C697	C698	C699	C700	C701	C702	C703	C704	C705	C706	C707	C708	C709	C710	C711	C712	C713	C714	C715	C716	C717	C718	C719	C720	C721	C722	C723	C724	C725	C726	C727	C728	C729	C730	C731	C732	C733	C734	C735	C736	C737	C738	C739	C740	C741	C742	C743	C744	C745	C746	C747	C748	C749	C750	C751	C752	C753	C754	C755	C756	C757	C758	C759	C760	C761	C762	C763	C764	C765	C766	C767	C768	C769	C770	C771	C772	C773	C774	C775	C776	C777	C778	C779	C780	C781	C782	C783	C784	C785	C786	C787	C788	C789	C790	C791	C792	C793	C794	C795	C796	C797	C798	C799	C800	C801	C802	C803	C804	C805	C806	C807	C808	C809	C810	C811	C812	C813	C814	C815	C816	C817	C818	C819	C820	C821	C822	C823	C824	C825	C826	C827	C828	C829	C830	C831	C832	C833	C834	C835	C836	C837	C838	C839	C840	C841	C842	C843	C844	C845	C846	C847	C848	C849	C850	C851	C852	C853	C854	C855	C856	C857	C858	C859	C860	C861	C862	C863	C864	C865	C866	C867	C868	C869	C870	C871	C872	C873	C874	C875	C876	C877	C878	C879	C880	C881	C882	C883	C884	C885	C886	C887	C888	C889	C890	C891	C892	C893	C894	C895	C896	C897	C898	C899	C900	C901	C902	C903	C904	C905	C906	C907	C908	C909	C910	C911	C912	C913	C914	C915	C916	C917	C918	C919	C920	C921	C922	C923	C924	C925	C926	C927	C928	C929	C930	C931	C932	C933	C934	C935	C936	C937	C938	C939	C940	C941	C942	C943	C944	C945	C946	C947	C948	C949	C950	C951	C952	C953	C954	C955	C956	C957	C958	C959	C960	C961	C962	C963	C964	C965	C966	C967	C968	C969	C970	C971	C972	C973	C974	C975	C976	C977	C978	C979	C980	C981	C982	C983	C984	C985	C986	C987	C988	C989	C990	C991	C992	C993	C994	C995	C996	C997	C998	C999	C1000
------	------	------	------	------	------	------	------	------	------	------	------	------	------	------	------	------	------	------	------	------	------	------	------	------	------	------	------	------	------	------	------	------	------	------	------	------	------	------	------	------	------	------	------	------	------	------	------	------	------	------	------	------	------	------	------	------	------	------	------	------	------	------	------	------	------	------	------	------	------	------	------	------	------	------	------	------	------	------	------	------	------	------	------	------	------	------	------	------	------	------	------	------	------	------	------	------	------	------	------	------	------	------	------	------	------	------	------	------	------	------	------	------	------	------	------	------	------	------	------	------	------	------	------	------	------	------	------	------	------	------	------	------	------	------	------	------	------	------	------	------	------	------	------	------	------	------	------	------	------	------	------	------	------	------	------	------	------	------	------	------	------	------	------	------	------	------	------	------	------	------	------	------	------	------	------	------	------	------	------	------	------	------	------	------	------	------	------	------	------	------	------	------	------	------	------	------	------	------	------	------	------	------	------	------	------	------	------	------	------	------	------	------	------	------	------	------	------	------	------	------	------	------	------	------	------	------	------	------	------	------	------	------	------	------	------	------	------	------	------	------	------	------	------	------	------	------	------	------	------	------	------	------	------	------	------	------	------	------	------	------	------	------	------	------	------	------	------	------	------	------	------	------	------	------	------	------	------	------	------	------	------	------	------	------	------	------	------	------	------	------	------	------	------	------	------	------	------	------	------	------	------	------	------	------	------	------	------	------	------	------	------	------	------	------	------	------	------	------	------	------	------	------	------	------	------	------	------	------	------	------	------	------	------	------	------	------	------	------	------	------	------	------	------	------	------	------	------	------	------	------	------	------	------	------	------	------	------	------	------	------	------	------	------	------	------	------	------	------	------	------	------	------	------	------	------	------	------	------	------	------	------	------	------	------	------	------	------	------	------	------	------	------	------	------	------	------	------	------	------	------	------	------	------	------	------	------	------	------	------	------	------	------	------	------	------	------	------	------	------	------	------	------	------	------	------	------	------	------	------	------	------	------	------	------	------	------	------	------	------	------	------	------	------	------	------	------	------	------	------	------	------	------	------	------	------	------	------	------	------	------	------	------	------	------	------	------	------	------	------	------	------	------	------	------	------	------	------	------	------	------	------	------	------	------	------	------	------	------	------	------	------	------	------	------	------	------	------	------	------	------	------	------	------	------	------	------	------	------	------	------	------	------	------	------	------	------	------	------	------	------	------	------	------	------	------	------	------	------	------	------	------	------	------	------	------	------	------	------	------	------	------	------	------	------	------	------	------	------	------	------	------	------	------	------	------	------	------	------	------	------	------	------	------	------	------	------	------	------	------	------	------	------	------	------	------	------	------	------	------	------	------	------	------	------	------	------	------	------	------	------	------	------	------	------	------	------	------	------	------	------	------	------	------	------	------	------	------	------	------	------	------	------	------	------	------	------	------	------	------	------	------	------	------	------	------	------	------	------	------	------	------	------	------	------	------	------	------	------	------	------	------	------	------	------	------	------	------	------	------	------	------	------	------	------	------	------	------	------	------	------	------	------	------	------	------	------	------	------	------	------	------	------	------	------	------	------	------	------	------	------	------	------	------	------	------	------	------	------	------	------	------	------	------	------	------	------	------	------	------	------	------	------	------	------	------	------	------	------	------	------	------	------	------	------	------	------	------	------	-------

PROPRIETARY DATA, COMPANY CONFIDENTIAL
 ALL RIGHTS RESERVED

ALLS BETRIEBSGEHEIMNIS ANVERTRAUT
 ALLE RECHTE VORBEHALTEN

Confidential
 Copyright © Siemens AG



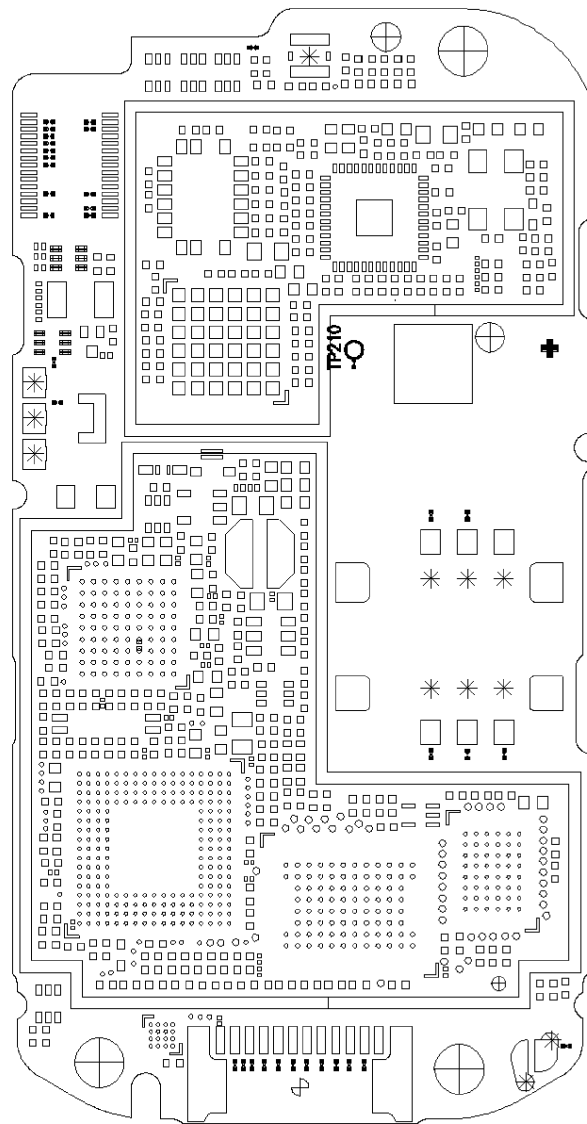
TP110	3C	TP2004	8C
TP131	7B	TP2005	5C
TP134	5B	TP2006	4C
TP135	3B	TP2207	5A
TP150	6B	TP2701	2A
TP151	6B	TP2706	2B
TP152	6B	TP3620	3C
TP153	6B	TP3621	3B
TP154	6A	TP3680	4B
TP155	6B	TP3681	5C
TP156	6B	TP3682	5C
TP157	7B		
TP211	2B		
TP361	7C		
TP362	5B		
TP365	5A		
TP366	6A		
TP367	6C		
TP368	4B		
TP369	4B		
TP371	4B		
TP374	3A		
TP840	3C		
TP1701	2B		
TP1702	2B		
TP2201	3B		
TP2202	5A		
TP2203	7C		

DATE	18.03.2004	Leopard ASSEMBLY V1
NAME	Liu	B2.1 Layout Hitachi
APPR'D		TESTPOINT DIAGRAM (SIDE 1)
STD		
MP	PD LPD BJ	
SIEMENS AG	65866	SHEET 1+
LIU	18.03.2004	
LIU	18.02.2004	
VERS.	CHANGE NUMBER	DATE
2	13067	18.03.2004
1	12534	18.02.2004
Created by BOM number: A5B00900125352-13067		

PROPRIETARY DATA, COMPANY CONFIDENTIAL
 ALL RIGHTS RESERVED

ALS BETRIEBSGEHEIMNIS ANVERTRAUT
 ALLE RECHTE VORBEHALTEN

Confidential
 Copyright © Siemens AG



DATE	18.03.2004	NAME	Liujiecheng	Leopard ASSEMBLY V1	3:1
APPR'D		STD		B2.1 Layout Hitachi	
MP	PD	LPD	BJ	TESTPOINT DIAGRAM (SIDE 2)	
VERS.	CHANGE NUMBER	DATE	NAME	SIEMENS AG	65866
2	13067	18.03.2004	Liuj		
1	12534	18.02.2004	Liuj		
				SHEET 2-	
Created by BOM number: A5B00900125352-13067					

1	2	3	4	5
---	---	---	---	---