

Proprietary data, company confidential.
All rights reserved

Als Betriebsgeheimnis anvertraut
Alle Rechte vorbehalten

1	2	3	4	5
HIERARCHY		SHEET		PDF-SHEET
A5B00900145331-12861		index	sheet 1	
		netlist1	sheet 2	
		poslist1	sheet 3	
		page1	---	
		sheet1	sheet 4	
		sheet2	sheet 5	
		sheet3	sheet 6	
		sheet4	sheet 7	
		sheet5	sheet 8	
		sheet6	sheet 9	
		sheet7	sheet 10	
		sheet8	sheet 11	
		sheet9	sheet 12	
		sheet10	sheet 13	

				DATE	20.03.2003	R65-X-Cite V1 B2.1 Layout HIT TOP HIERARCHY LEVEL SCHEMATIC	1:1
8	13427	07.06.2004	NoI	USER	Merk		
7	14596	29.04.2004	NoI	APPR'D			
6	14205	20.04.2004	NoI				
5	13570	26.03.2004	Me	MP UC RD ED Ulm			
4	13452	22.03.2004	Me	Siemens AG		68290	index
3	13340	17.03.2004	NoI				
2	13223	12.03.2004	NoI				
VERS.	CHANGE NUMBER	DATE	NAME				

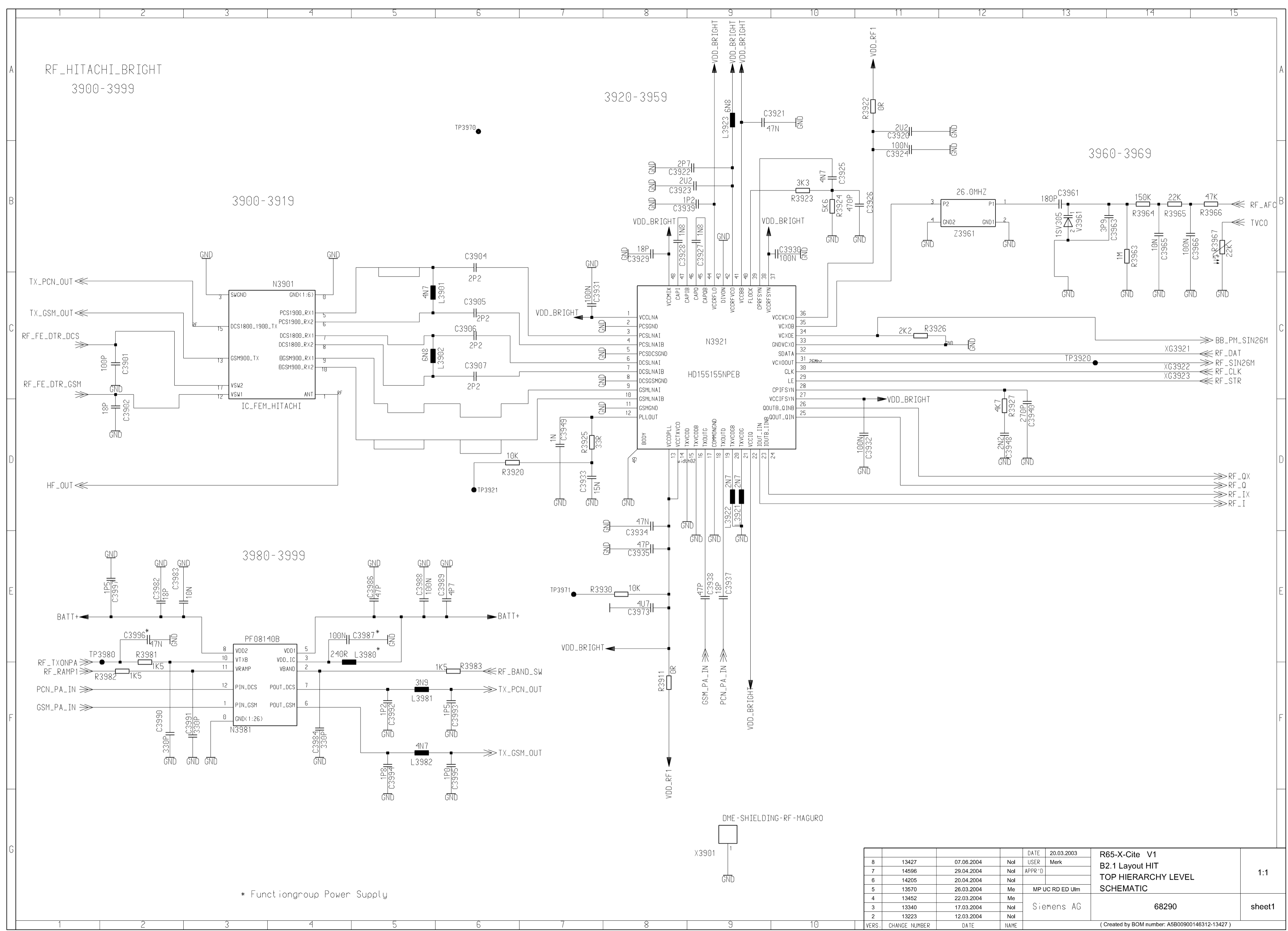
Proprietary data, company confidential.
All rights reserved.

Als Betriebsgeheimnis anvertraut
Alle Rechte vorbehalten

	1	2	3	4	5	6	7	8	9	10	
A	C1000 /sheet5 3 E	C1336 /sheet7 10 D	C2422 /sheet10 9 C	C3982 /sheet1 2 E	R1306 /sheet7 3 C	R3625 /sheet3 3 E	V1605 /sheet10 3 F				
	C1001 /sheet5 2 E	C1337 /sheet7 6 B	C2423 /sheet10 9 C	C3983 /sheet1 3 E	R1308 /sheet7 3 D	R3626 /sheet3 2 E	V2100 /sheet9 4 B				
	C1002 /sheet5 2 E	C1338 /sheet7 8 B	C2500 /sheet8 15 C	C3984 /sheet1 4 F	R1309 /sheet7 7 D	R3627 /sheet3 3 F	V2302 /sheet10 5 B				
	C1003 /sheet5 2 E	C1339 /sheet7 7 C	C2501 /sheet8 13 B	C3985 /sheet1 5 E	R1311 /sheet7 3 B	R3633 /sheet3 1 C	V2303 /sheet10 2 B				
	C1004 /sheet5 7 A	C1340 /sheet7 7 C	C2502 /sheet8 13 B	C3986 /sheet1 5 E	R1313 /sheet7 2 F	R3635 /sheet3 6 E	V2404-2 /sheet10 10 C				
	C1010 /sheet5 6 A	C1341 /sheet7 7 C	C2503 /sheet8 13 B	C3987 /sheet1 4 E	R1314 /sheet7 2 F	R3801 /sheet2 8 D	V2404-1 /sheet10 11 B				
	C1011 /sheet5 10 B	C1342 /sheet7 7 C	C2633 /sheet9 12 E	C3988 /sheet1 5 E	R1315 /sheet7 7 F	R3802 /sheet2 9 D	V2406 /sheet10 11 B				
	C1012 /sheet5 14 B	C1343 /sheet7 7 C	C2634 /sheet9 10 E	C3989 /sheet1 6 E	R1320 /sheet7 7 D	R3901 /sheet1 2 C	V2407 /sheet10 12 B				
	C1013 /sheet5 14 C	C1344 /sheet7 8 B	C2635 /sheet9 13 E	C3990 /sheet1 2 F	R1328 /sheet7 7 E	R3902 /sheet1 2 C	V2520 /sheet8 15 C				
	C1014 /sheet5 15 C	C1345 /sheet7 8 C	C2636 /sheet9 10 F	C3991 /sheet1 3 F	R1340 /sheet7 11 D	R3903 /sheet1 5 B	V2650 /sheet9 12 E				
	C1037 /sheet5 3 C	C1346 /sheet7 7 E	C2651 /sheet9 11 F	C3992 /sheet1 5 F	R1341 /sheet7 11 D	R3904 /sheet1 5 C	V2808 /sheet10 12 B				
	C1038 /sheet5 13 F	C1347 /sheet7 7 E	C2652 /sheet9 14 E	C3993 /sheet1 6 F	R1342 /sheet7 9 D	R3905 /sheet1 5 C	V2809 /sheet10 13 B				
	C1110 /sheet6 5 C	C1348 /sheet7 7 E	C2653 /sheet9 13 E	C3994 /sheet1 5 F	R1343 /sheet7 10 E	R3906 /sheet1 5 C	V2821-1 /sheet10 5 C				
	C1120 /sheet6 2 C	C1349 /sheet7 4 E	C2821 /sheet10 3 C	C3995 /sheet1 6 F	R1344 /sheet7 11 F	R3907 /sheet1 5 D	V2821-2 /sheet10 5 C				
	C1121 /sheet6 2 C	C1350 /sheet7 7 F	C2823 /sheet10 4 C	C3996 /sheet1 2 E	R1353 /sheet7 9 G	R3908 /sheet1 5 D	V3961 /sheet1 13 B				
	C1122 /sheet6 2 B	C1351 /sheet7 11 E	C3600 /sheet3 3 B	C3997 /sheet1 2 E	R1399 /sheet7 7 C	R3909 /sheet1 6 D	X1000 /sheet5 13 F				
	C1123 /sheet6 3 B	C1352 /sheet7 11 D	C3601 /sheet3 3 B	D1000-2 /sheet6 1 E	R1500 /sheet8 4 F	R3910 /sheet1 6 D	X1300 /sheet7 3 H				
	C1124 /sheet6 3 B	C1353 /sheet7 3 D	C3602 /sheet3 3 B	D1000-1 /sheet5 12 F	R1501 /sheet8 4 F	R3911 /sheet1 8 F	X1400 /sheet8 2 B				
	C1125 /sheet6 3 B	C1354 /sheet7 11 C	C3603 /sheet3 3 B	D1000-3 /sheet5 1 A	R1502 /sheet8 5 F	R3920 /sheet1 6 D	X1504 /sheet8 2 E				
	C1126 /sheet6 4 C	C1355 /sheet7 11 D	C3604 /sheet3 11 E	D1201 /sheet6 10 F	R1503 /sheet8 8 E	R3922 /sheet1 11 A	X1604 /sheet10 2 E				
	C1127 /sheet6 4 C	C1356 /sheet7 11 D	C3605 /sheet3 11 D	D1203 /sheet6 10 D	R1504 /sheet8 8 E	R3923 /sheet1 10 B	X1700 /sheet9 1 G				
	C1128 /sheet6 5 C	C1357 /sheet7 10 D	C3606 /sheet3 11 E	D1300 /sheet7 4 F	R1505 /sheet8 5 F	R3924 /sheet1 10 B	X2202 /sheet8 7 B				
	C1129 /sheet6 5 B	C1358 /sheet7 11 D	C3607 /sheet3 11 E	D2520 /sheet8 13 C	R1506 /sheet8 9 G	R3925 /sheet1 7 D	X2203 /sheet8 8 C				
	C1130 /sheet6 5 C	C1360 /sheet7 10 F	C3608 /sheet3 13 E	D3601 /sheet3 4 F	R1508 /sheet8 8 F	R3926 /sheet1 11 C	X2705 /sheet9 11 B				
	C1131 /sheet6 6 D	C1361 /sheet7 10 F	C3609-2 /sheet3 13 E	L1300 /sheet7 2 B	R1509 /sheet8 14 D	R3927 /sheet1 12 D	X3551 /sheet3 11 F				
	C1132 /sheet6 6 D	C1362 /sheet7 11 F	C3609-1 /sheet3 14 E	L1301 /sheet7 10 C	R1510 /sheet8 14 E	R3928 /sheet1 6 A	X3552 /sheet3 12 F				
	C1133 /sheet6 7 D	C1363 /sheet7 7 B	C3610 /sheet3 2 C	L1302 /sheet7 10 D	R1511 /sheet8 14 E	R3929 /sheet1 7 B	X3553 /sheet3 14 F				
	C1134 /sheet6 7 D	C1364 /sheet7 7 B	C3611 /sheet3 11 A	L1303 /sheet7 2 B	R1512 /sheet8 7 D	R3930 /sheet1 8 E	X3600 /sheet3 9 C				
	C1135 /sheet6 7 D	C1381 /sheet7 4 E	C3612 /sheet3 11 A	L1318 /sheet7 10 A	R1514 /sheet8 11 D	R3931 /sheet1 7 A	X3800 /sheet2 8 C				
	C1136 /sheet6 6 E	C1382 /sheet7 4 E	C3613 /sheet3 11 A	L1320 /sheet7 7 C	R1515 /sheet8 12 D	R3962 /sheet1 13 C	X3901 /sheet1 9 G				
	C1137 /sheet6 6 E	C1383 /sheet7 2 E	C3614 /sheet3 11 B	L1331 /sheet7 10 D	R1516 /sheet8 11 D	R3963 /sheet1 14 C	Z1000 /sheet5 2 E				
	C1139 /sheet6 6 E	C1384 /sheet7 2 E	C3615 /sheet3 11 B	L2633 /sheet9 13 E	R1517 /sheet8 15 A	R3964 /sheet1 14 B	Z1500 /sheet8 13 F				
	C1140 /sheet6 2 C	C1385 /sheet7 2 E	C3616 /sheet3 11 B	L3803 /sheet2 9 C	R1524 /sheet8 6 G	R3965 /sheet1 14 B	Z3961 /sheet1 12 B				
	C1141 /sheet6 7 C	C1386 /sheet7 2 E	C3617 /sheet3 1 C	L3804 /sheet2 10 C	R1525 /sheet8 6 F	R3966 /sheet1 15 B					
	C1200 /sheet6 8 B	C1387 /sheet7 4 E	C3618 /sheet3 3 D	L3805 /sheet2 9 C	R1591 /sheet8 9 E	R3967 /sheet1 15 B					
	C1201 /sheet6 9 B	C1391 /sheet7 6 E	C3802 /sheet2 9 C	L3811 /sheet2 5 C	R1613 /sheet10 4 E	R3981 /sheet1 2 F					
	C1202 /sheet6 12 G	C1400 /sheet8 3 B	C3803 /sheet2 9 C	L3901 /sheet1 6 C	R1614 /sheet10 7 E	R3982 /sheet1 2 F					
	C1203 /sheet6 12 G	C1401 /sheet8 4 B	C3804 /sheet2 10 C	L3902 /sheet1 6 C	R1703 /sheet9 5 F	R3983 /sheet1 6 F					
	C1204 /sheet6 12 G	C1402 /sheet8 4 B	C3805 /sheet2 8 D	L3921 /sheet1 9 D	R1704 /sheet9 5 F	S2700 /sheet9 13 B					
	C1205 /sheet6 12 G	C1405 /sheet8 4 B	C3811 /sheet2 5 C	L3922 /sheet1 9 D	R1901 /sheet9 4 D	TP1246 /sheet6 10 B					
	C1206 /sheet6 9 B	C1426 /sheet8 2 B	C3812 /sheet2 6 C	L3923 /sheet1 9 A	R1902 /sheet9 4 D	TP1247 /sheet6 9 B					
	C1207 /sheet6 13 G	C1502 /sheet8 6 F	C3901 /sheet1 2 C	L3924 /sheet1 10 E	R1926 /sheet9 5 D	TP3602 /sheet3 14 D					
	C1208 /sheet6 9 B	C1504 /sheet8 4 D	C3902 /sheet1 2 D	L3980 /sheet1 4 F	R1927 /sheet9 5 D	TP3600 /sheet3 11 D					
	C1209 /sheet6 9 B	C1506 /sheet8 9 F	C3903 /sheet1 6 D	L3981 /sheet1 5 F	R2310 /sheet10 4 A	TP3601 /sheet3 14 D					
	C1211 /sheet6 9 B	C1507 /sheet8 6 D	C3904 /sheet1 6 B	L3982 /sheet1 5 F	R2311 /sheet10 5 B	TP1014 /sheet5 15 A					
	C1220 /sheet6 9 B	C1508 /sheet8 5 F	C3905 /sheet1 6 C	N1330 /sheet7 11 C	R2312 /sheet10 4 B	TP1013 /sheet5 13 A					
	C1301 /sheet7 2 B	C1509 /sheet8 6 F	C3906 /sheet1 6 C	N1501 /sheet8 11 E	R2321 /sheet10 3 A	TP1022 /sheet5 9 B					
	C1302 /sheet7 4 A	C1510 /sheet8 7 F	C3907 /sheet1 6 C	N3600 /sheet3 11 E	R2415 /sheet10 12 A	TP1012 /sheet5 12 A					
	C1303 /sheet7 4 B	C1511 /sheet8 6 F	C3920 /sheet1 11 A	N3901 /sheet1 4 C	R2416 /sheet10 12 A	TP3971 /sheet1 7 E					
	C1304-2 /sheet7 2 B	C1512 /sheet8 7 F	C3921 /sheet1 10 A	N3921 /sheet1 8 C	R2417 /sheet10 11 B	TP3980 /sheet1 2 F					
	C1304-1 /sheet7 2 B	C1513 /sheet8 8 F	C3922 /sheet1 8 B	N3981 /sheet1 3 F	R2418 /sheet10 11 A	TP3921 /sheet1 6 D					
	C1305 /sheet7 10 B	C1514 /sheet8 9 F	C3923 /sheet1 9 B	R1000 /sheet5 3 F	R2419 /sheet10 9 C	TP3970 /sheet1 6 A					
	C1306 /sheet7 3 B	C1515 /sheet8 12 D	C3924 /sheet1 11 B	R1001 /sheet5 3 G	R2420 /sheet10 12 C	TP3920 /sheet1 13 C					
	C1307 /sheet7 3 B	C1522 /sheet8 5 F	C3925 /sheet1 10 B	R1003 /sheet5 3 G	R2421 /sheet10 12 B	TP1509 /sheet8 14 D					
	C1308 /sheet7 3 D	C1523 /sheet8 5 D	C3926 /sheet1 11 B	R1004 /sheet5 3 G	R2422 /sheet10 13 B	TP1317 /sheet7 8 B					
	C1309 /sheet7 4 D	C1524 /sheet8 7 F	C3927 /sheet1 9 B	R1006 /sheet5 3 E	R2423 /sheet10 8 C	TP1309 /sheet7 8 B					
	C1310 /sheet7 4 D	C1527 /sheet8 12 D	C3928 /sheet1 8 B	R1012 /sheet5 7 B	R2424 /sheet10 12 B	TP1320 /sheet7 7 C					
	C1311 /sheet7 4 D	C1528 /sheet8 14 E	C3929 /sheet1 8 B	R1014 /sheet5 10 B	R2520 /sheet8 14 B	TP1321 /sheet7 7 C					
	C1312 /sheet7 4 D	C1541 /sheet8 6 F	C3930 /sheet1 10 B	R1015 /sheet5 9 A	R2521 /sheet8 14 B	TP1308 /sheet7 8 B					
	C1313 /sheet7 4 D	C1601 /sheet10 4 F	C3931 /sheet1 7 C	R1018 /sheet5 13 A	R2632 /sheet9 12 E	TP1327 /sheet7 10 C					
	C1314 /sheet7 4 D	C1602 /sheet10 5 F	C3932 /sheet1 11 D	R1021 /sheet5 15 A	R2633 /sheet9 14 E	TP1334 /sheet7 7 C					
	C1315-2 /sheet7 10 B	C1603 /sheet10 5 F	C3933 /sheet1 7 D	R1022 /sheet5 15 B	R2727 /sheet9 8 B	TP1302 /sheet7 4 D					
	C1315-1 /sheet7 10 B	C1604 /sheet10 5 F	C3934 /sheet1 8 D	R1023 /sheet5 15 C	R2728 /sheet9 8 C	TP1311 /sheet7 8 B					
	C1316 /sheet7 7 C	C1605 /sheet10 6 F	C3935 /sheet1 8 E	R1024 /sheet5 14 D	R2729 /sheet9 8 C	TP1318 /sheet7 6 C					
	C1317 /sheet7 3 E	C1606 /sheet10 5 F	C3936 /sheet1 9 E	R1025 /sheet5 14 D	R2871 /sheet10 4 C	TP1312 /sheet7 8 B					
	C1318-1 /sheet7 11 B	C1705 /sheet9 4 F	C3937 /sheet1 9 E	R1038 /sheet5 10 A	R2872 /sheet10 3 C	TP1307 /sheet7 8 B					
	C1318-2 /sheet7 11 B	C1708 /sheet9 4 F	C3938 /sheet1 9 E	R1039 /sheet5 9 A	R2873 /sheet10 5 C	TP2401 /sheet10 12 B					
	C1319 /sheet7 3 E	C1709 /sheet9 4 F	C3939 /sheet1 9 B	R1040 /sheet5 2 F	R2874 /sheet10 3 C	TP2402 /sheet10 13 B					
	C1320 /sheet7 8 C	C1901 /sheet9 3 D	C3940 /sheet1 13 D	R1041 /sheet5 3 F	R3600 /sheet3 6 F	V1302 /sheet7 10 C					
	C1321 /sheet7 3 E	C1902 /sheet9 3 D	C3941 /sheet1 13 D	R1042 /sheet5 2 F	R3601 /sheet3 6 F	V1303 /sheet7 11 D					
	C1322 /sheet7 3 E	C1904 /sheet9 3 D	C3942 /sheet1 13 D	R1043 /sheet5 3 F	R3603 /sheet3 2 C	V1304 /sheet7 10 E					
	C1323 /sheet7 3 E	C2100 /sheet9 3 B	C3943 /sheet1 13 D	R1045 /sheet5 3 G	R3604 /sheet3 13 B	V1305-1 /sheet7 10 G					
	C1324 /sheet7 3 E	C2110 /sheet9 5 B	C3944 /sheet1 12 E	R1046 /sheet5 2 G	R3605 /sheet3 13 B	V1305-2 /sheet7 10 G					
	C1325 /sheet7 3 E	C2130 /sheet9 9 C	C3945 /sheet1 13 E	R1047 /sheet5 3 G	R3606 /sheet3 13 B	V1364 /sheet7 7 A					
	C1326 /sheet7 3 F	C2131 /sheet9 10 C	C3946 /sheet1 13 E	R1048 /sheet5 2 G	R3607 /sheet3 13 B	V1400 /sheet8 3 B					
	C1327 /sheet7 3 F	C2132 /sheet9 10 C	C3947 /sheet1 13 E	R1049 /sheet5 3 G	R3608 /sheet3 13 B	V1500 /sheet8 9 G					
	C1328 /sheet7 4 F	C2133 /sheet9 10 C	C3948 /sheet1 12 D	R1050 /sheet5 2 G	R3609 /sheet3 13 B						
	C1329-1 /sheet7 6 B	C2134 /sheet9 9 C	C3949 /sheet1 7 D	R1051 /sheet5 3 G	R3610 /sheet3 10 B						
	C1329-2 /sheet7 6 B	C2135 /sheet9 8 C	C3961 /sheet1 13 B	R1052 /sheet5 2 G	R3611 /sheet3 13 B						
	C1330-1 /sheet7 6 B	C2231 /sheet8 8 B	C3962 /sheet1 13 B	R1130 /sheet6 2 C	R3612 /sheet3 13 C						
	C1330-2 /sheet7 6 B	C2232 /sheet8 10 B	C3963 /sheet1 14 B	R1200 /sheet6 11 A	R3613 /sheet3 13 C						
	C1331 /sheet7 10 B	C2233 /sheet8 9 B	C3964 /sheet1 14 B	R1210 /sheet6 9 B	R3614 /sheet3 13 C						
	C1332-1 /sheet7 7 B	C2235 /sheet8 10 B	C3965 /sheet1 14 B	R1300 /sheet7 3 B	R3615 /sheet3 13 C						
	C1332-2 /sheet7 8 B	C2236 /sheet8 9 B	C3966 /sheet1 15 B	R1302 /sheet7 3 B	R3616 /sheet3 13 C						
	C1333 /sheet7 6 E	C2237 /sheet8 8 B	C3971 /sheet1 8 E	R1303 /sheet7 2 C	R3617 /sheet3 13 C						
	C1334 /sheet7 6 E	C2238 /sheet8 9 B	C3973 /sheet1 8 E	R1304 /sheet7 3 C	R3618 /sheet3 11 D						
	C1335 /sheet7 6 E	C2320 /sheet10 4 B	C3981 /sheet1 2 E	R1305 /sheet7 3 C	R3623 /sheet3 3 C						
B											

Proprietary data, Company confidential.
all rights reserved

Als Betriebsgeheimnis anvertraut
alle Rechte vorbehalten



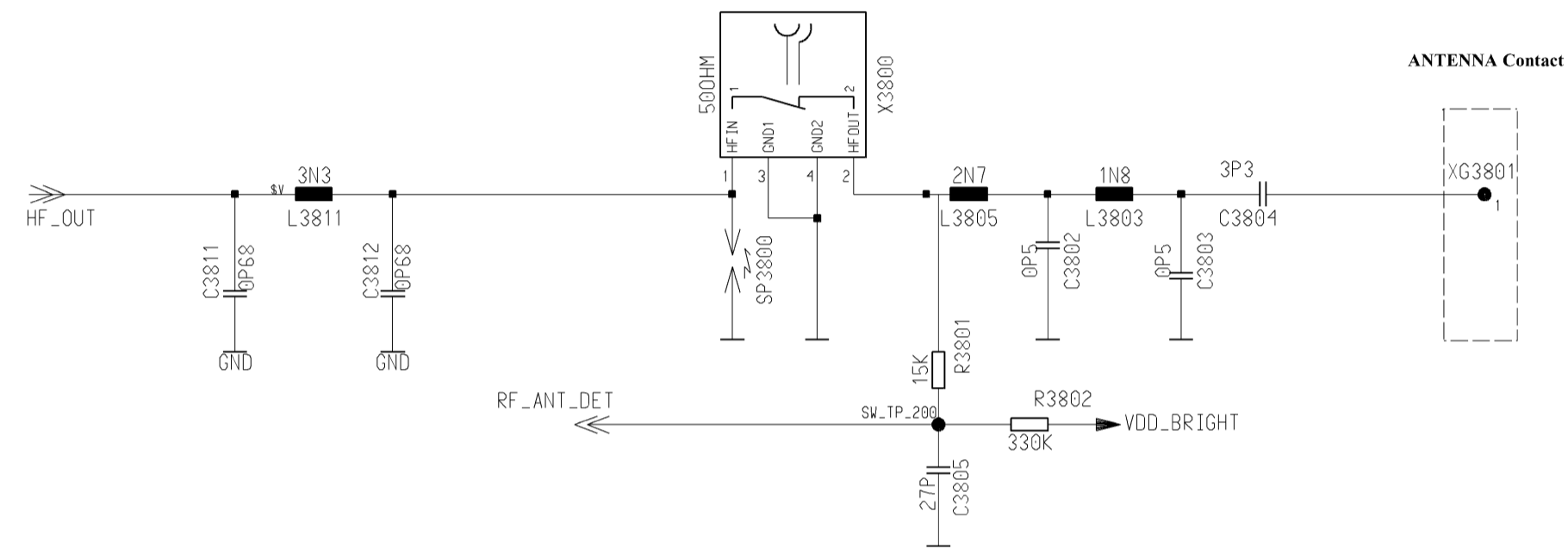
* Functiongroup Power Supply

VERS.	CHANGE NUMBER	DATE	NAME	DATE	20.03.2003	R65-X-Cite V1 B2.1 Layout HIT TOP HIERARCHY LEVEL SCHEMATIC	68290	sheet1
8	13427	07.06.2004	Not	USER	Merk			
7	14598	29.04.2004	Not	APPR'D				
6	14205	20.04.2004	Not					
5	13570	26.03.2004	Me	MP UC RD ED Ulm				
4	13452	22.03.2004	Me					
3	13340	17.03.2004	Not					
2	13223	12.03.2004	Not					

(Created by BOM number: A5B00900146312-13427)

ANTENNA_CIRCUIT

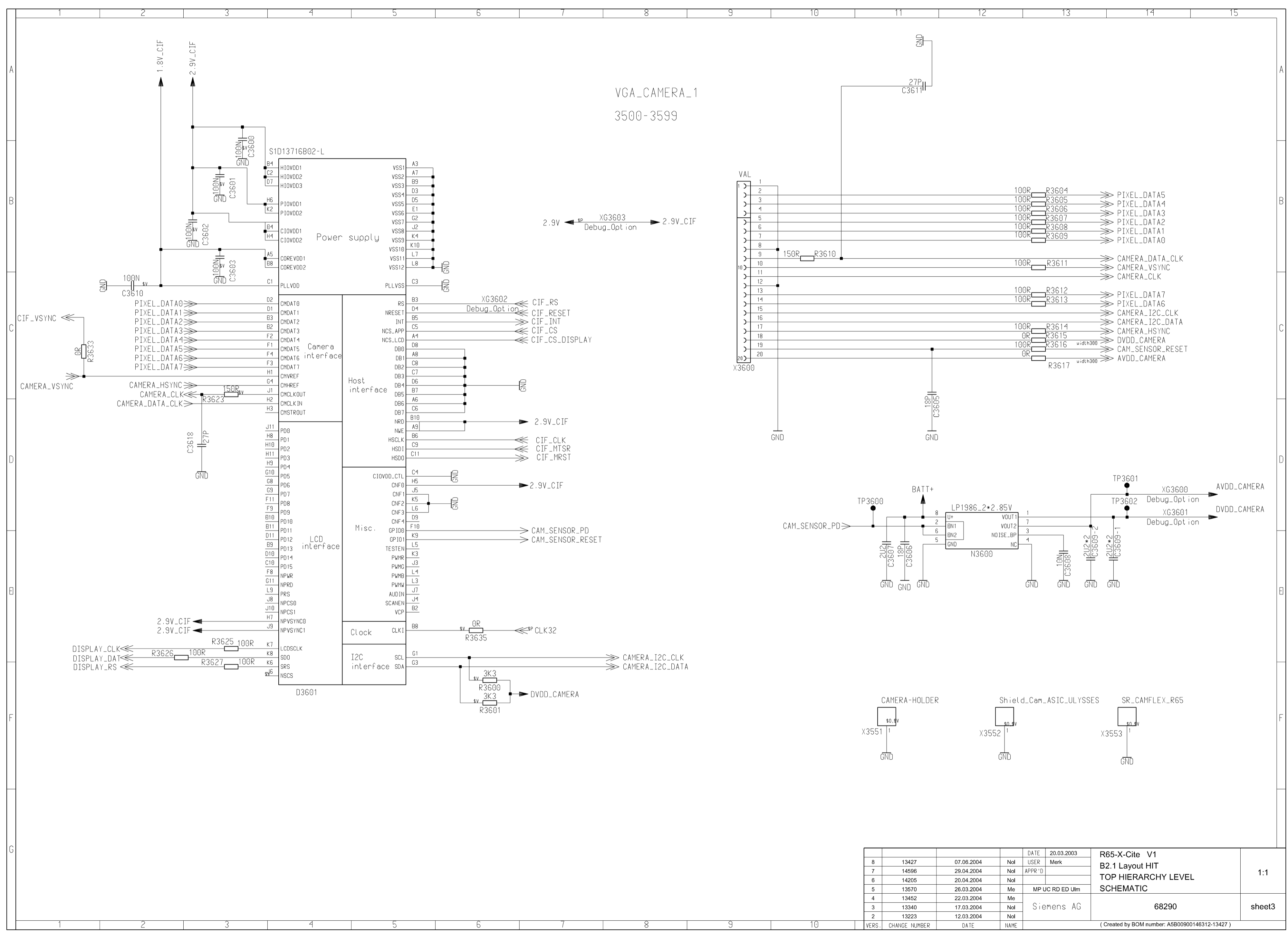
3800-3849



VERS.	CHANGE NUMBER	DATE	NAME	DATE	20.03.2003	R65-X-Cite V1 B2.1 Layout HIT TOP HIERARCHY LEVEL SCHEMATIC	1:1
8	13427	07.06.2004	Nol	USER	Merk		
7	14596	29.04.2004	Nol	APPR'D			
6	14205	20.04.2004	Nol				
5	13570	26.03.2004	Me	MP	UC RD ED Ulm		
4	13452	22.03.2004	Me				
3	13340	17.03.2004	Nol				
2	13223	12.03.2004	Nol				
				Siemens AG		68290	sheet2
						(Created by BOM number: A5B00900146312-13427)	

Proprietary data, Company confidential.
all rights reserved

Als Betriebsgeheimnis anvertraut
alle Rechte vorbehalten



VERS.	CHANGE NUMBER	DATE	NAME	DATE	USER	DATE	NAME
8	13427	07.06.2004	Nol	20.03.2003	Merk		
7	14598	29.04.2004	Nol		APPR'D		
6	14205	20.04.2004	Nol				
5	13570	26.03.2004	Me		MP UC RD ED Ulm		
4	13452	22.03.2004	Me				
3	13340	17.03.2004	Nol				
2	13223	12.03.2004	Nol				

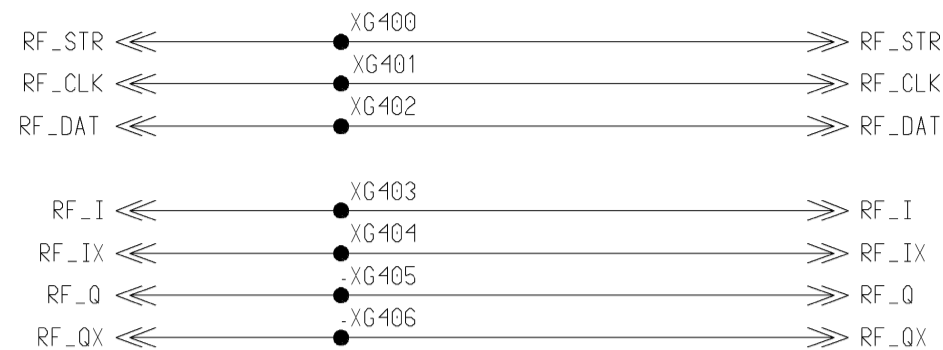
R65-X-Cite V1		Siemens AG	68290	1:1
B2.1 Layout HIT				
TOP HIERARCHY LEVEL				
SCHEMATIC		68290		sheet3
(Created by BOM number: A5B00900146312-13427)				

Proprietary data, Company confidential.
all rights reserved

Als Betriebsgeheimnis anvertraut
alle Rechte vorbehalten

HIT_POINTS LOGIK/HF_PART_1

400-449

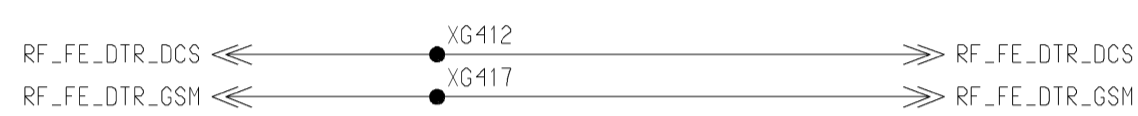


TRANCEIVER ENABLE SIGNAL
 TRANCEIVER CLOCK SIGNAL
 TRANCEIVER DATA SIGNAL

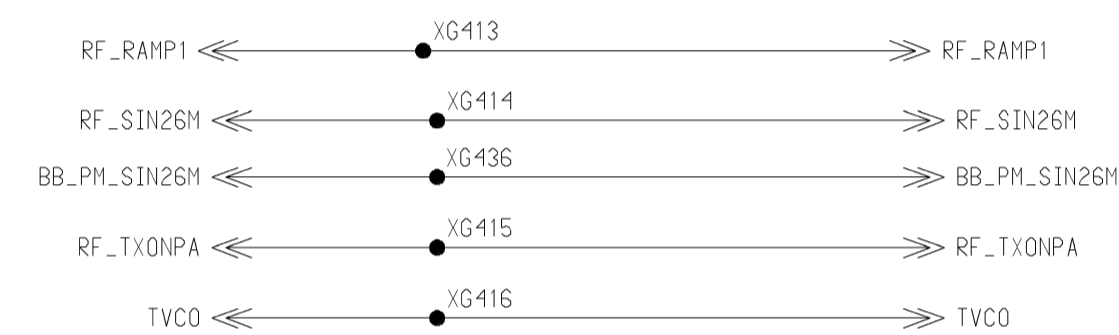
Bidirectional analoue RX/TX modulaltet signal
 Baseband signals



Reference frequency correction



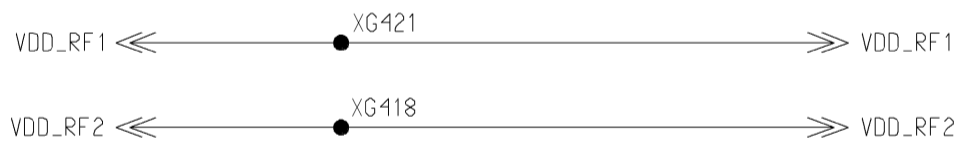
DCSTX enable Asic for Hitachisolution
 GSMTX enable Asic for Hitachisolution



analogue power amplifier ramping signal
 26 MHz reference frequency
 Second 26 MHz reference frequency
 Power up of power controller
 Temperature sensor X-tal



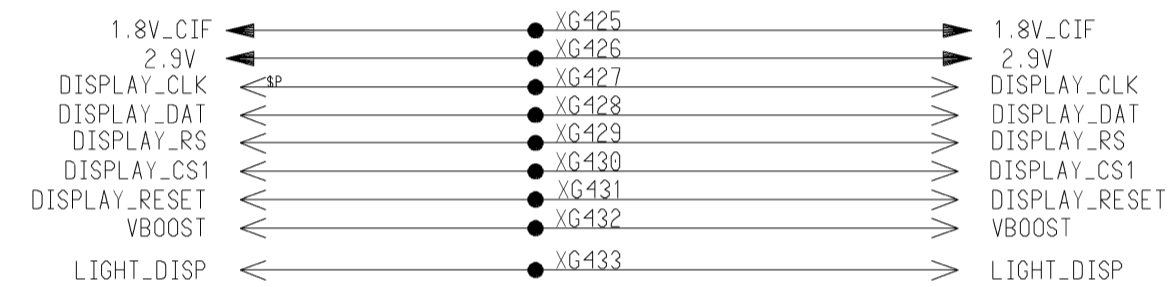
DETECTION internal/external Antenna



programmed voltage 1
 programmed voltage 2



swiched LOW- / HIGH-band



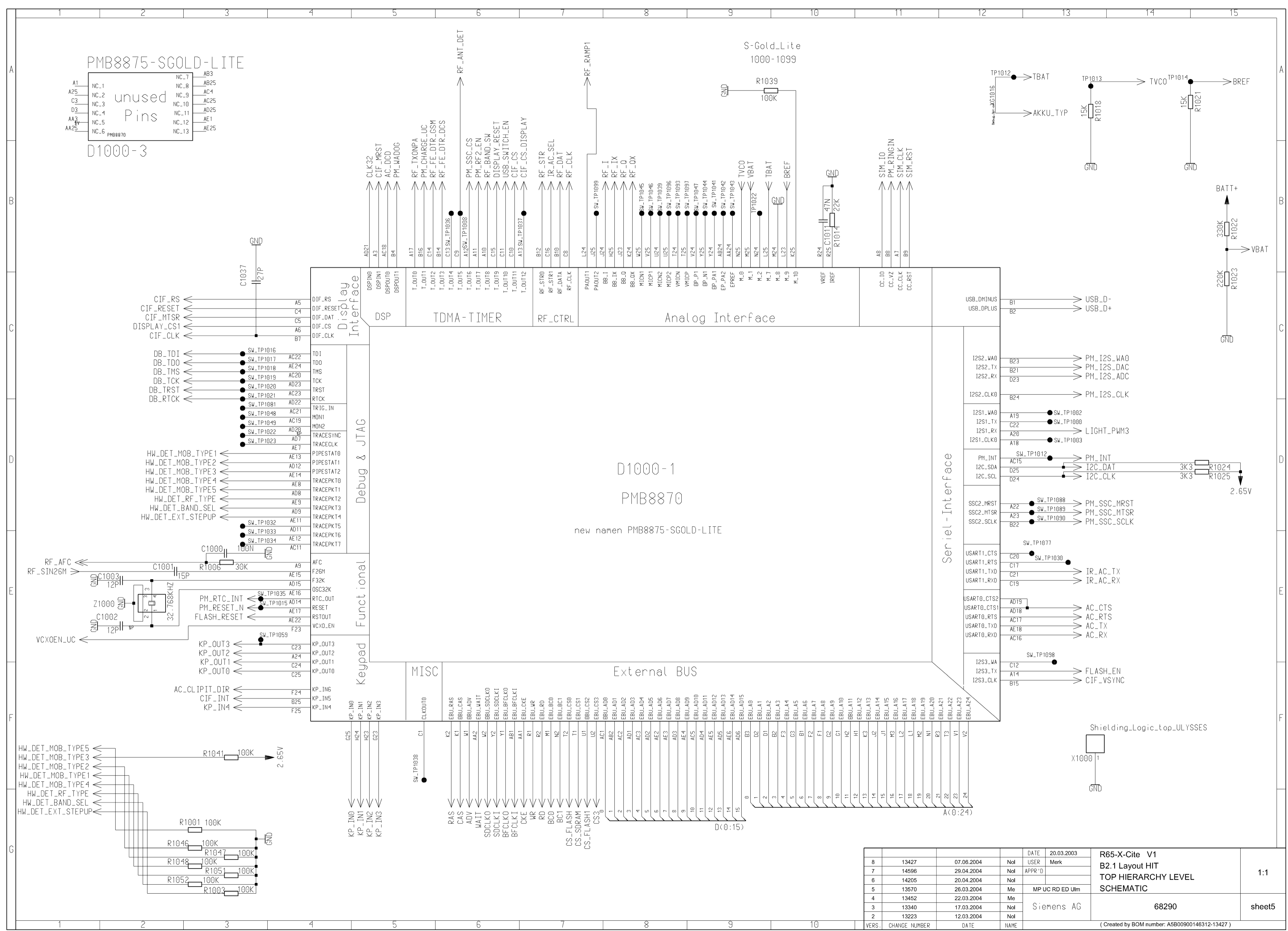
SAR-GND-PAD

VERS.	CHANGE NUMBER	DATE	NAME	DATE	20.03.2003	R65-X-Cite V1 B2.1 Layout HIT TOP HIERARCHY LEVEL SCHEMATIC	68290	sheet4
8	13427	07.06.2004	Nol	USER	Merk			
7	14596	29.04.2004	Nol	APPR'D				
6	14205	20.04.2004	Nol					
5	13570	26.03.2004	Me	MP UC RD ED Ulm				
4	13452	22.03.2004	Me					
3	13340	17.03.2004	Nol	Siemens AG				
2	13223	12.03.2004	Nol					

(Created by BOM number: A5B00900146312-13427)

Proprietary data, Company confidential.
all rights reserved

Als Betriebsgeheimnis anvertraut
alle Rechte vorbehalten

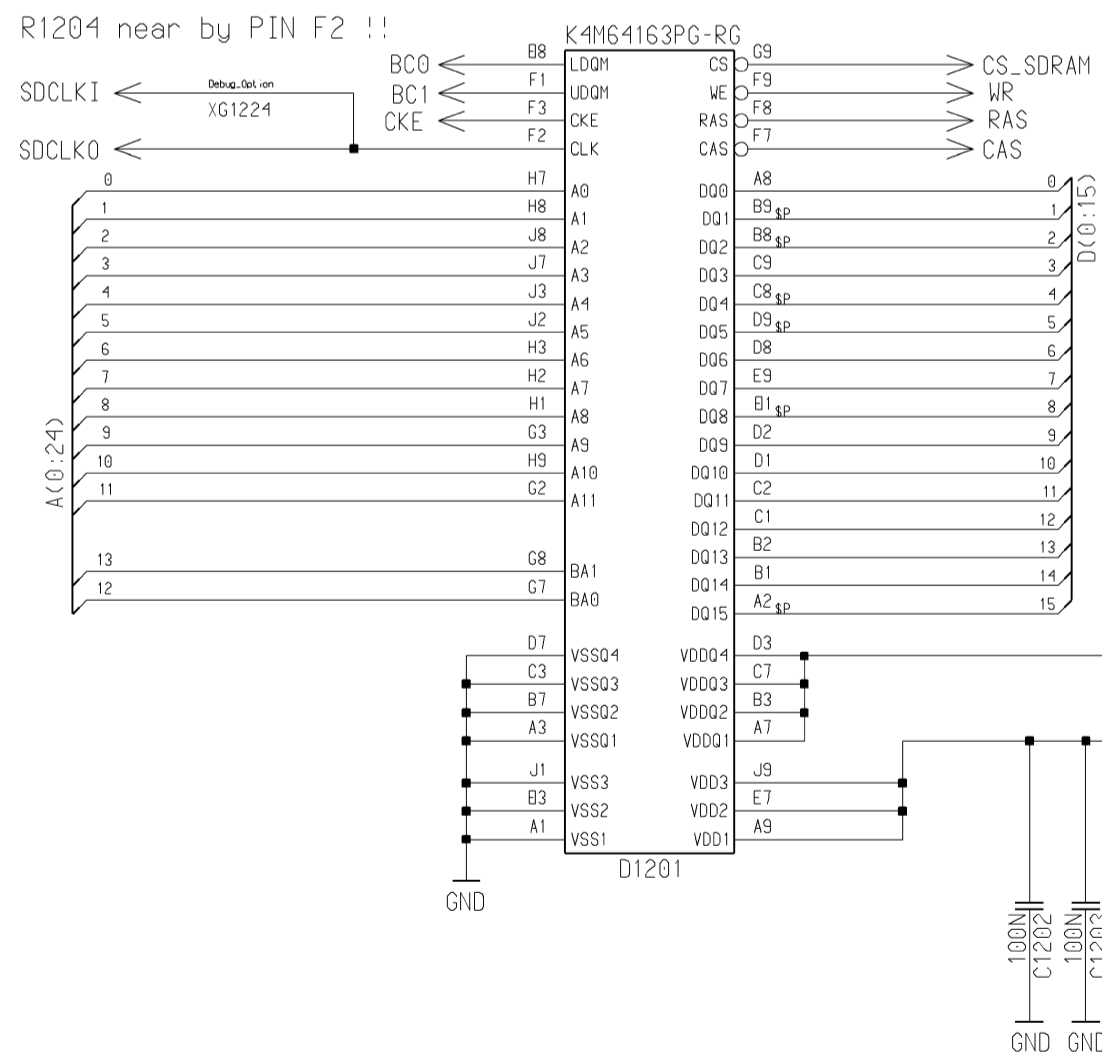
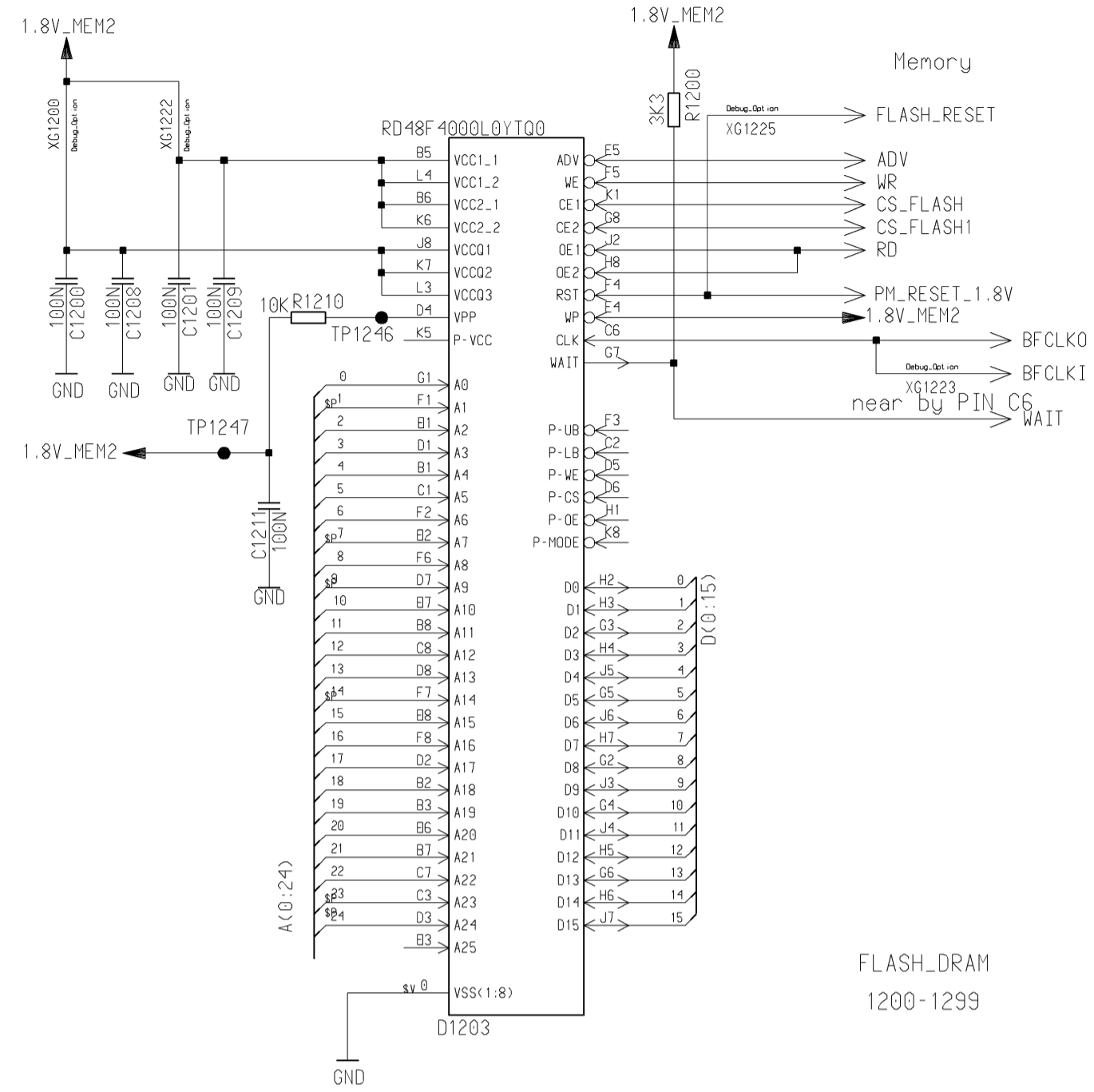
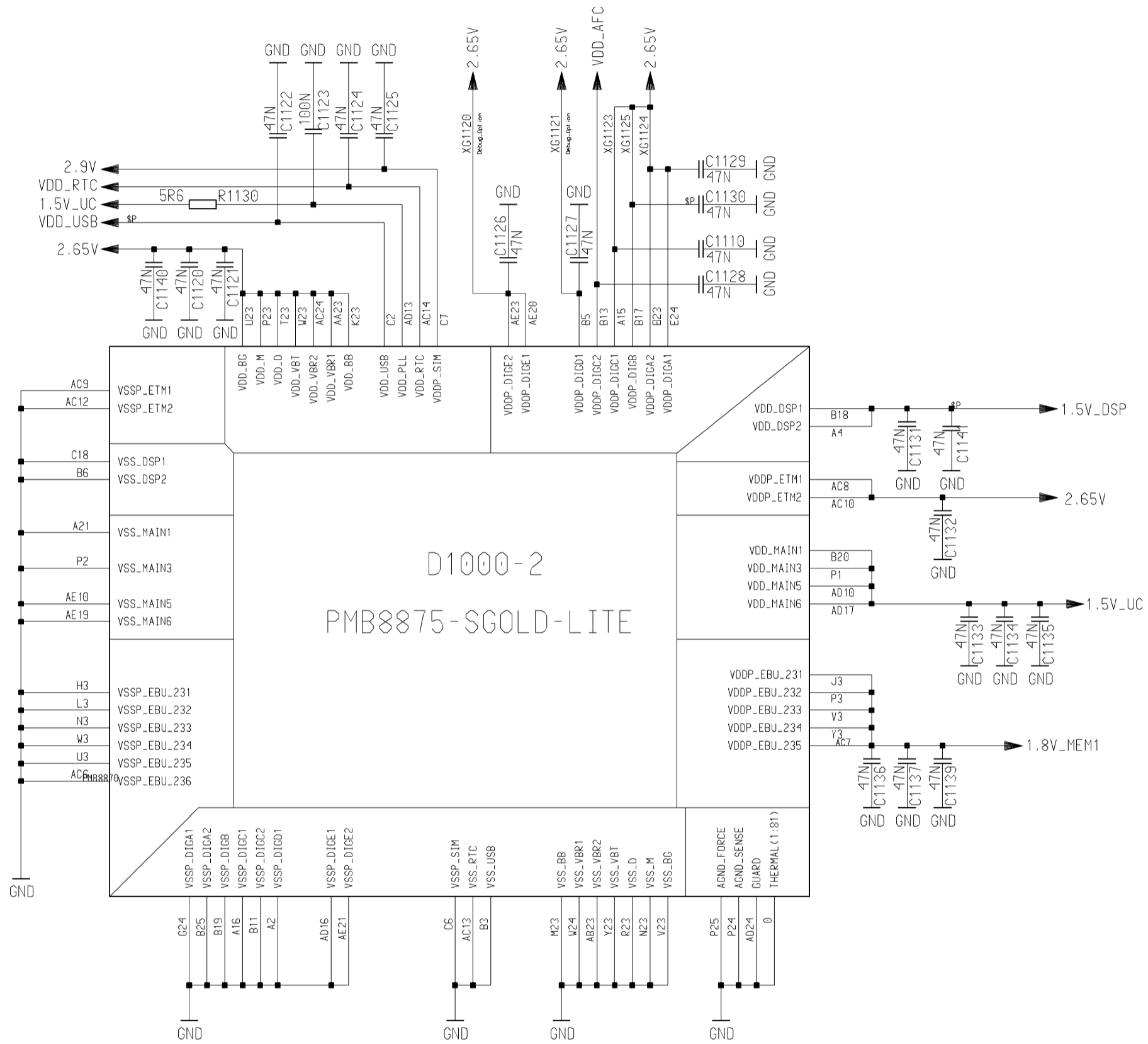


VERS.	CHANGE NUMBER	DATE	NAME	DATE	USER	DESCRIPTION
8	13427	07.06.2004	Nol	20.03.2003	Merk	
7	14596	29.04.2004	Nol	APPR'D		
6	14205	20.04.2004	Nol			
5	13570	26.03.2004	Me	MP UC RD ED Ulm		
4	13452	22.03.2004	Me			
3	13340	17.03.2004	Nol			
2	13223	12.03.2004	Nol			

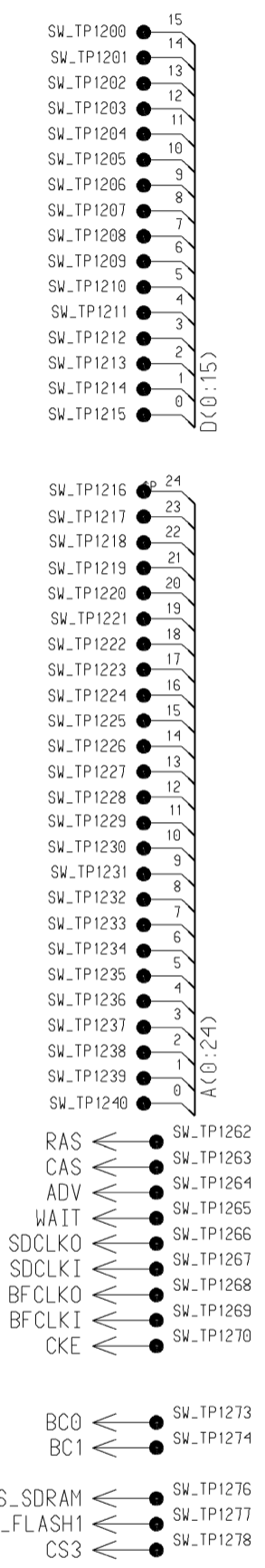
R65-X-Cite V1		Siemens AG	68290	sheet5
B2.1 Layout HIT				
TOP HIERARCHY LEVEL SCHEMATIC				

(Created by BOM number: A5B00900146312-13427)

S-Goldlite Supply-Domain
1100-1199



SW-TESTPUNKTE

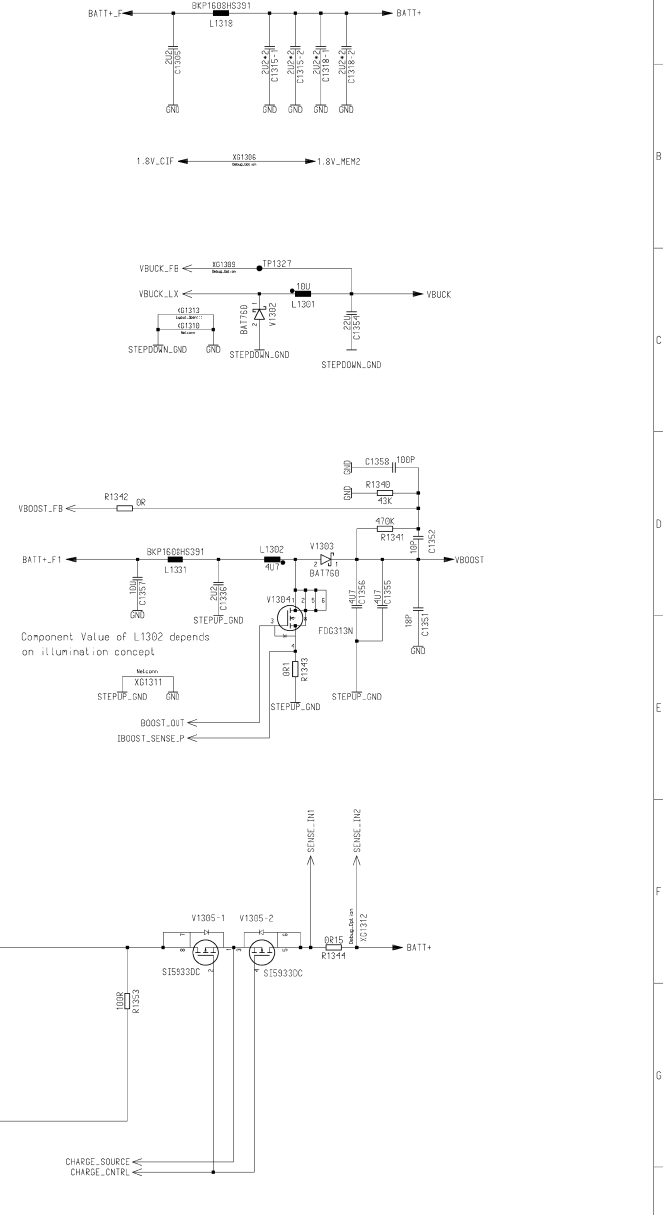
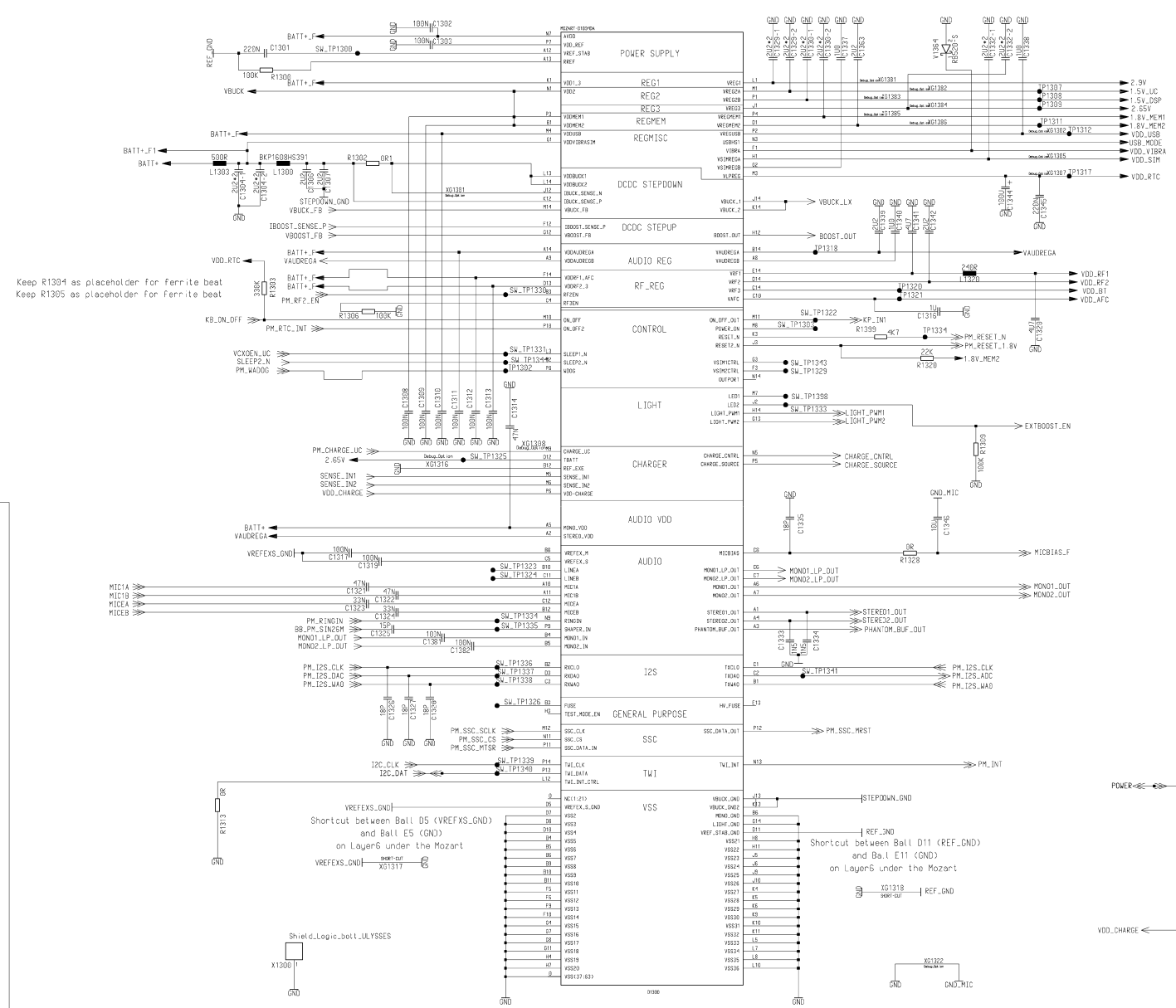


VERS.	CHANGE NUMBER	DATE	NAME	DATE	20.03.2003	DATE	20.03.2003
8	13427	07.06.2004	Nol	USER	Merk		
7	14598	29.04.2004	Nol	APPR'D			
6	14205	20.04.2004	Nol				
5	13570	26.03.2004	Me		MP UC RD ED Ulm		
4	13452	22.03.2004	Me				
3	13340	17.03.2004	Nol				
2	13223	12.03.2004	Nol				

Siemens AG		R65-X-Cite V1	
		B2.1 Layout HIT	
		TOP HIERARCHY LEVEL	
		SCHEMATIC	
		68290	
		sheet6	

(Created by BOM number: A5B00900146312-13427)

Mozart
1300-1399



Keep R1304 as placeholder for ferrite bead
Keep R1305 as placeholder for ferrite bead

Shortcut between Ball D5 (VREFXS_GND)
and Ball E5 (GND)
on Layer6 under the Mozart

Shortcut between Ball D11 (REF_GND)
and Ball E11 (GND)
on Layer6 under the Mozart

Component Value of L1302 depends
on illumination concept

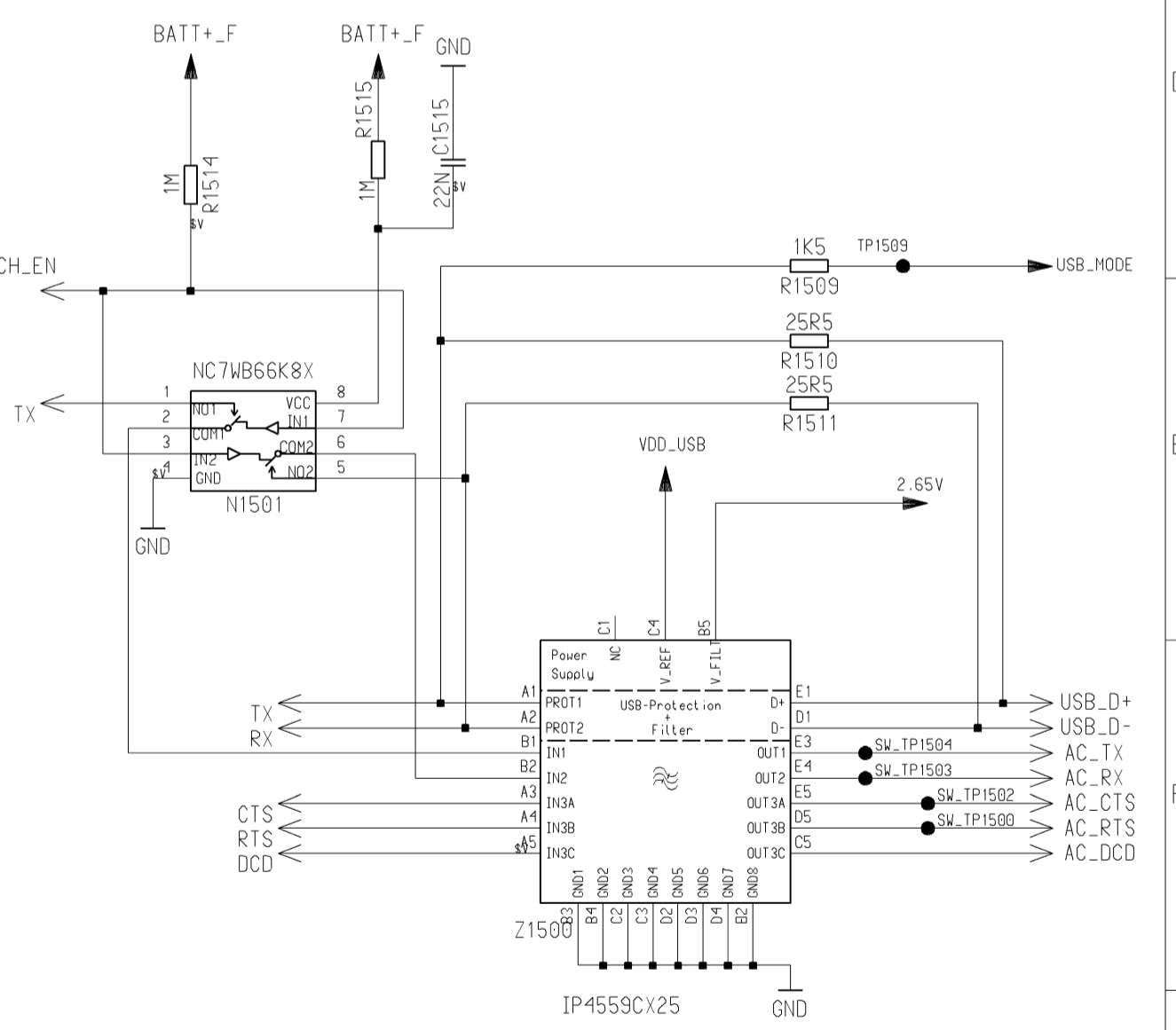
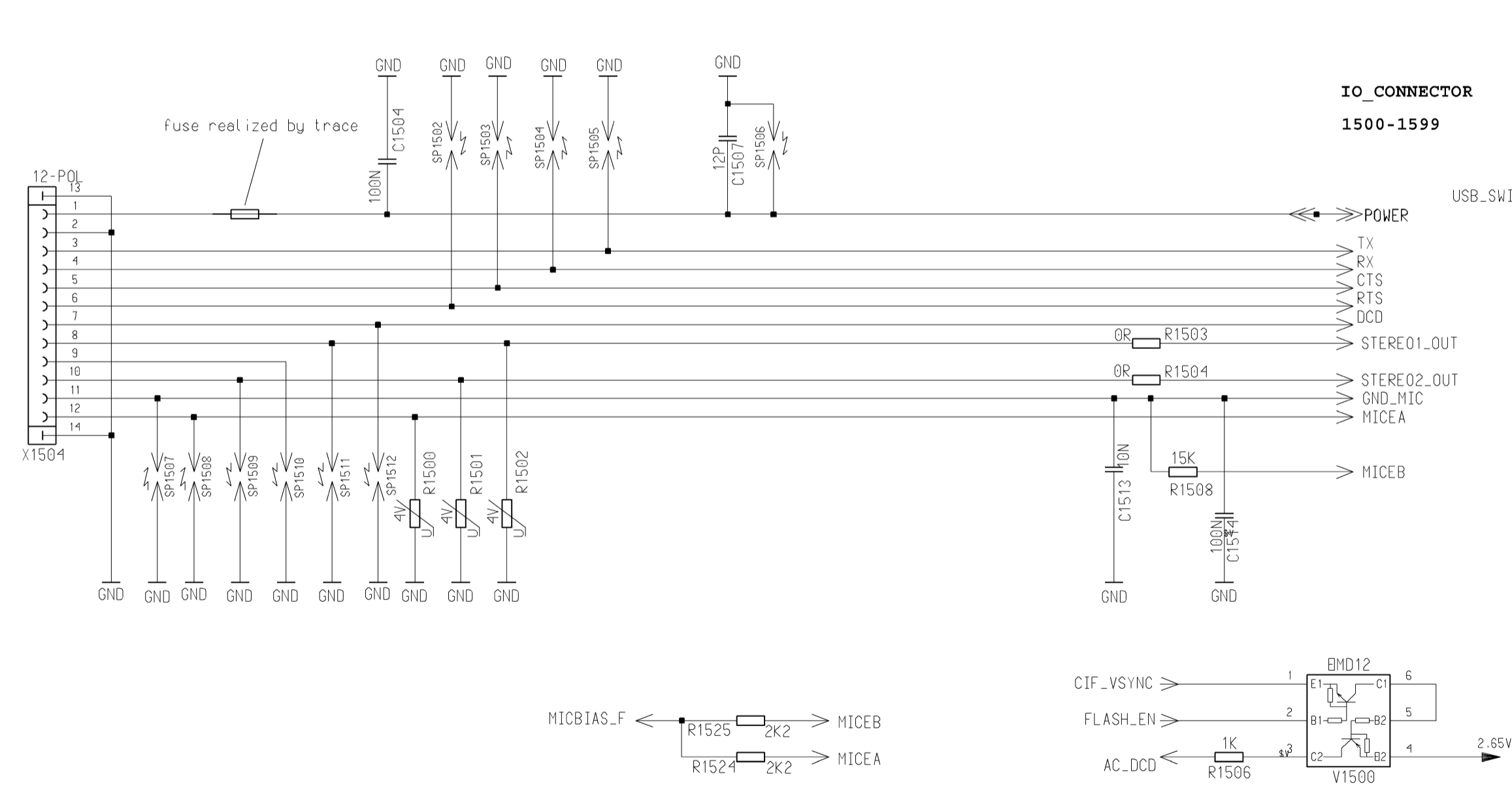
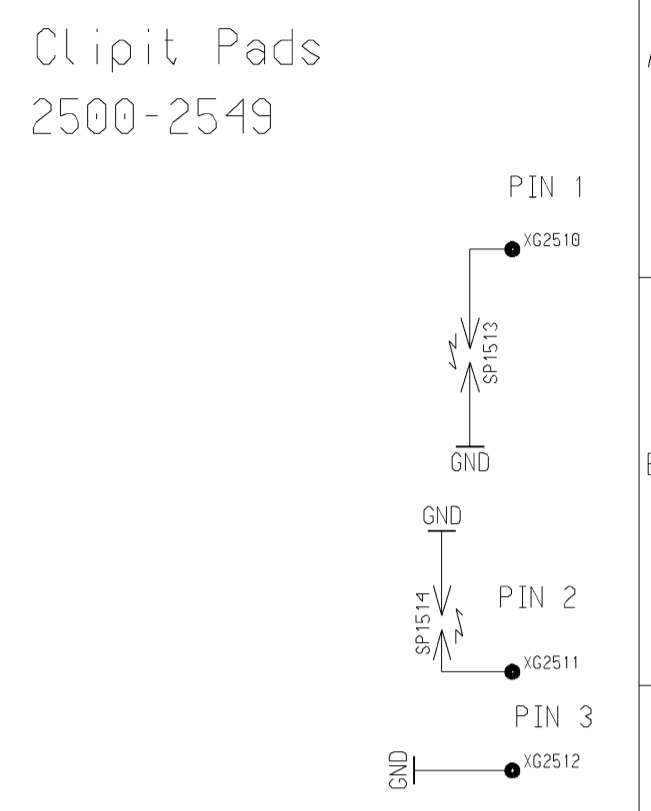
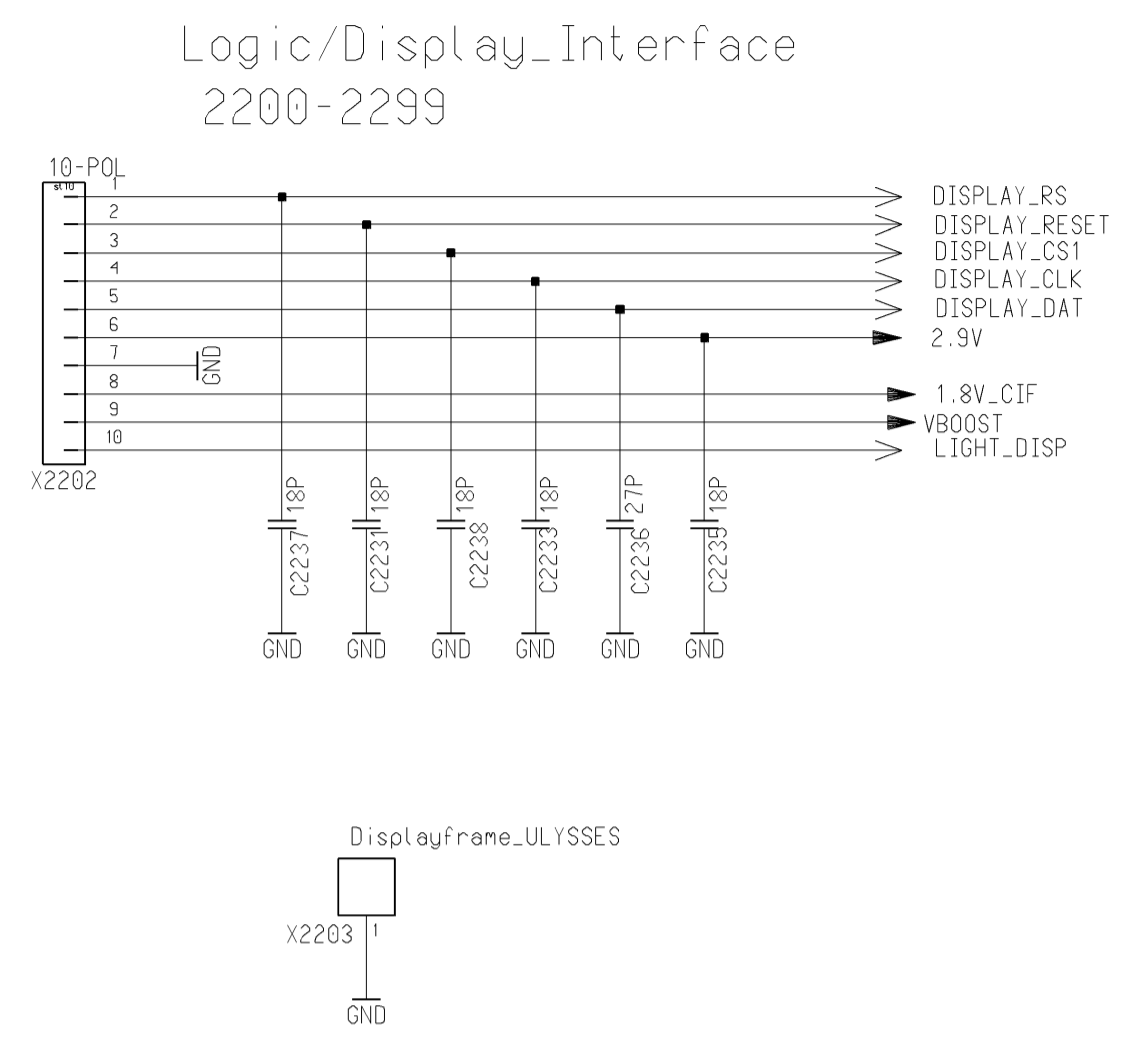
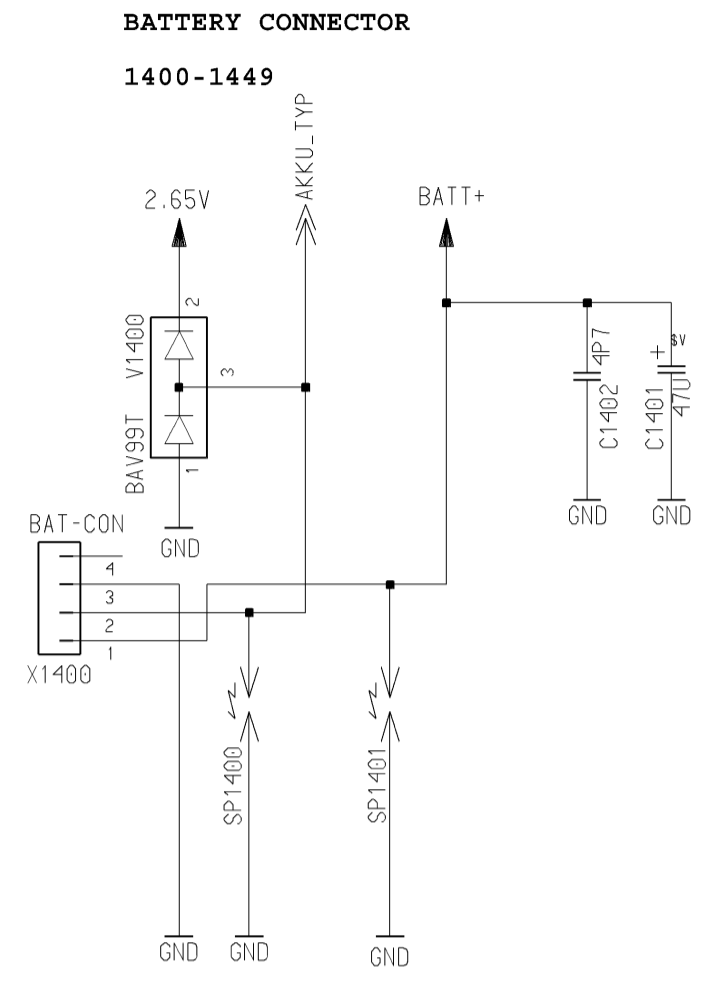
Si nuestra express autorización, queda terminantemente prohibido...
Copyright © 2003 Siemens AG. All rights reserved. No part of this document may be reproduced, stored in a retrieval system, or transmitted, in any form or by any means, electronic, mechanical, photocopying, recording, or by any information storage and retrieval system, without the prior written permission of Siemens AG.

REV.	CHANGE NUMBER	DATE	NAME	DATE	BY
8	13427	07.08.2004	Nef	US12	Man
7	14008	29.04.2004	Nef	US12	Man
6	14205	20.04.2004	Nef		
5	13570	20.03.2004	Nef	MP,UC,HD,ED,UM	
4	13462	22.03.2004	Nef		
3	13340	17.03.2004	Nef	Siemens AG	
2	13223	12.03.2004	Nef		

DATE	20.03.2003
REV.	B2.1
TOP HIERARCHY LEVEL	B2.1 Layout HIT
SCHEMATIC LEVEL	TOP HIERARCHY LEVEL
88290	
sheet7	

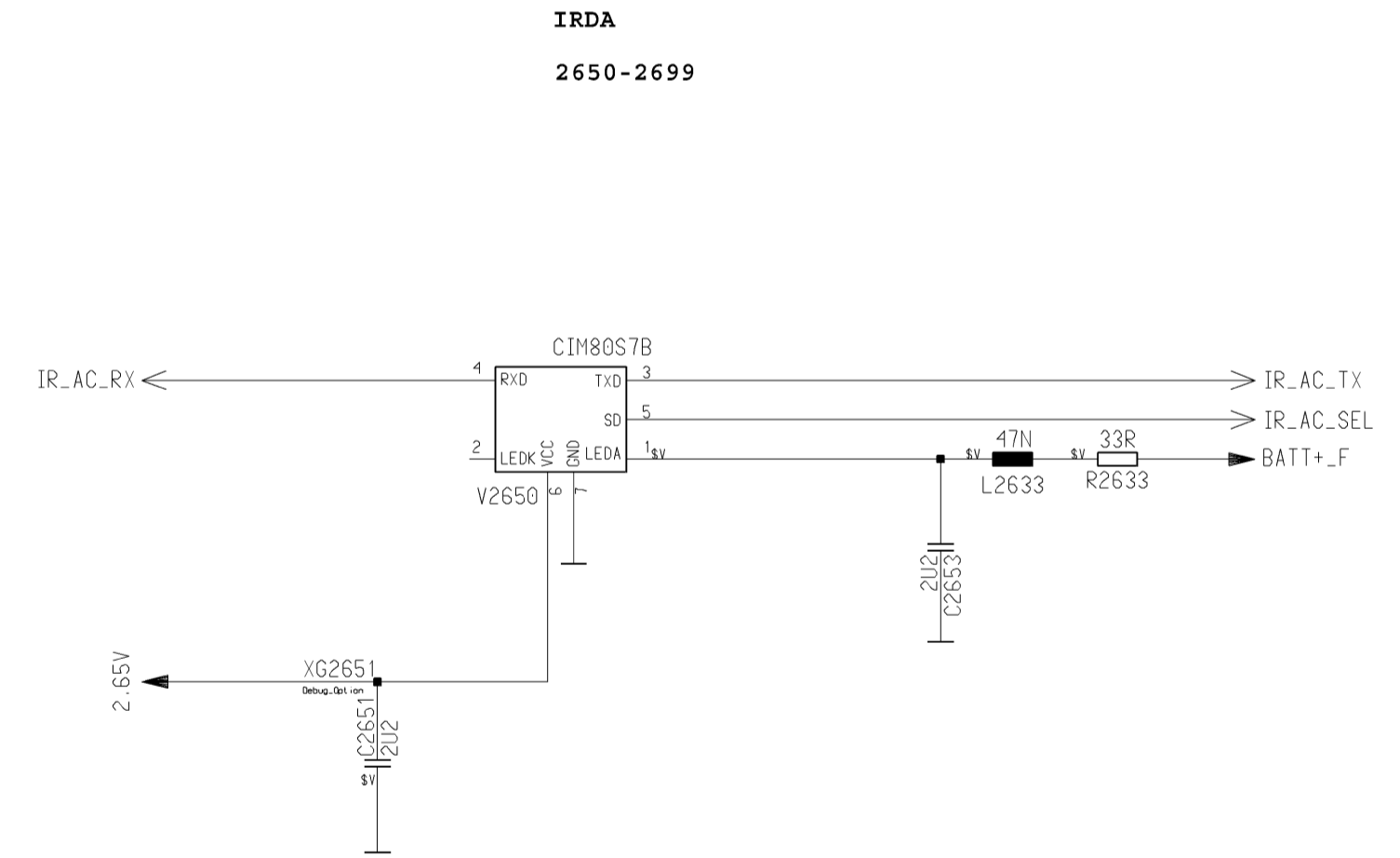
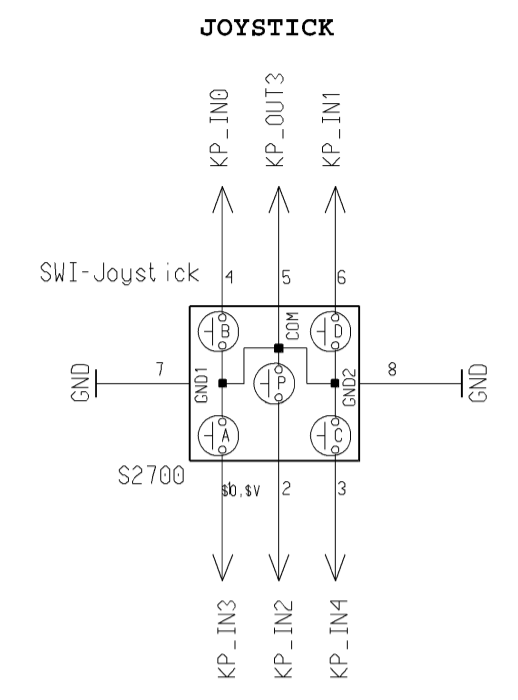
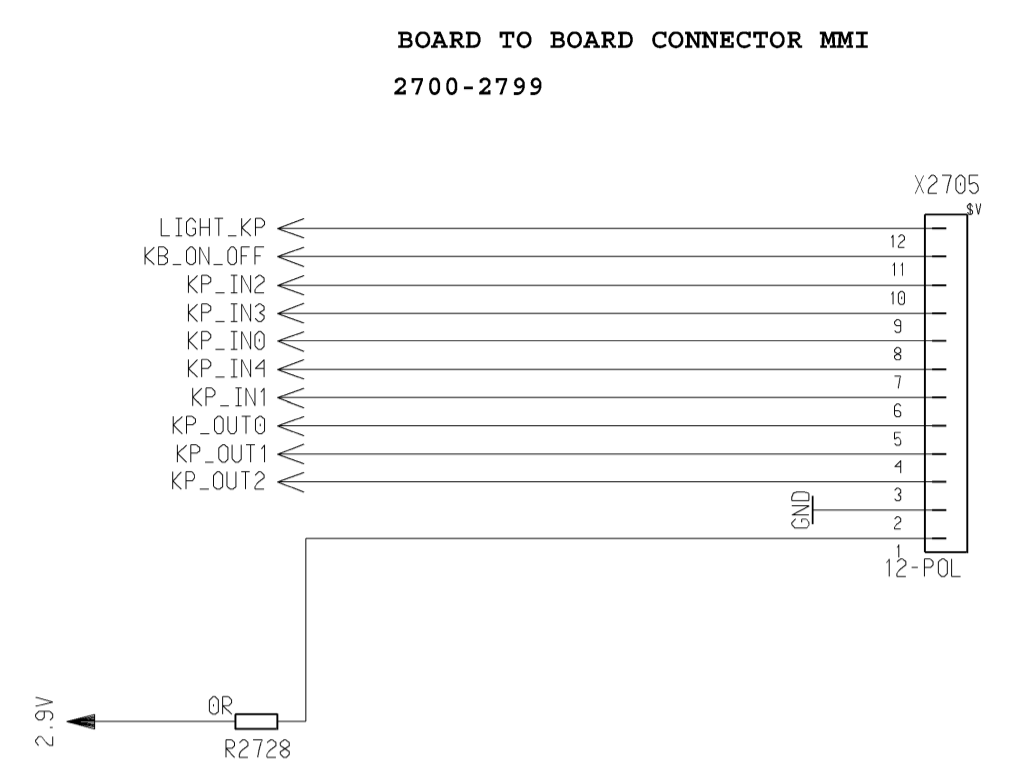
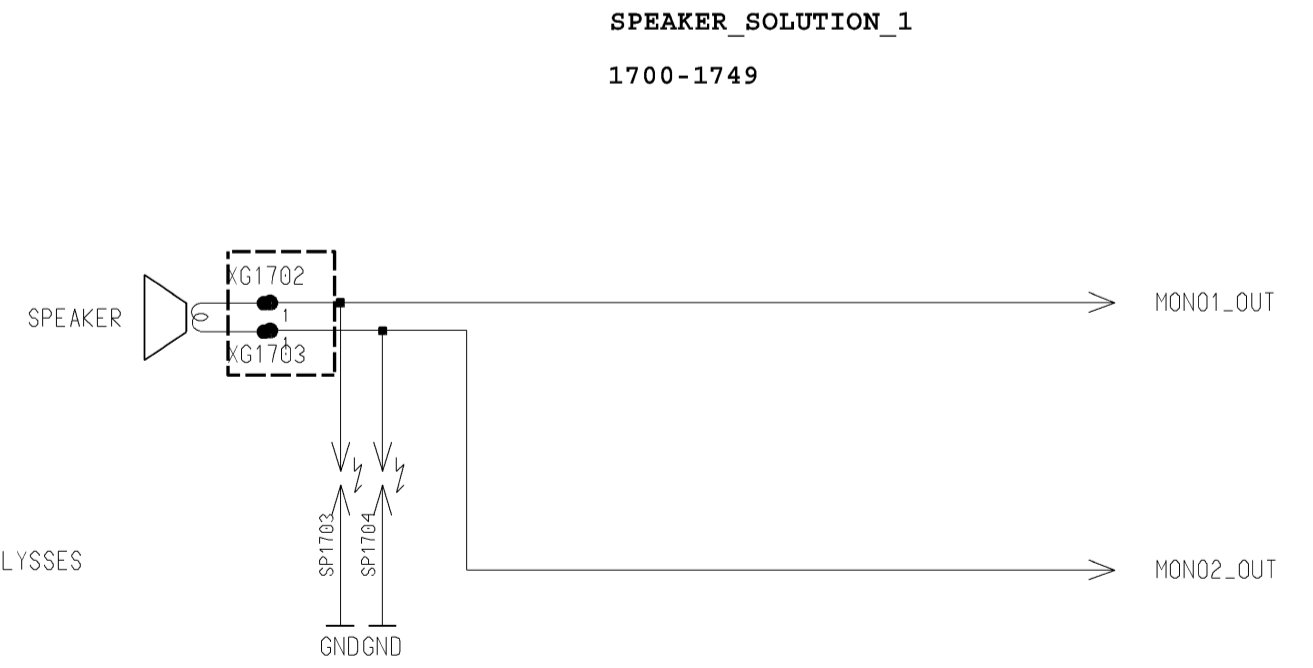
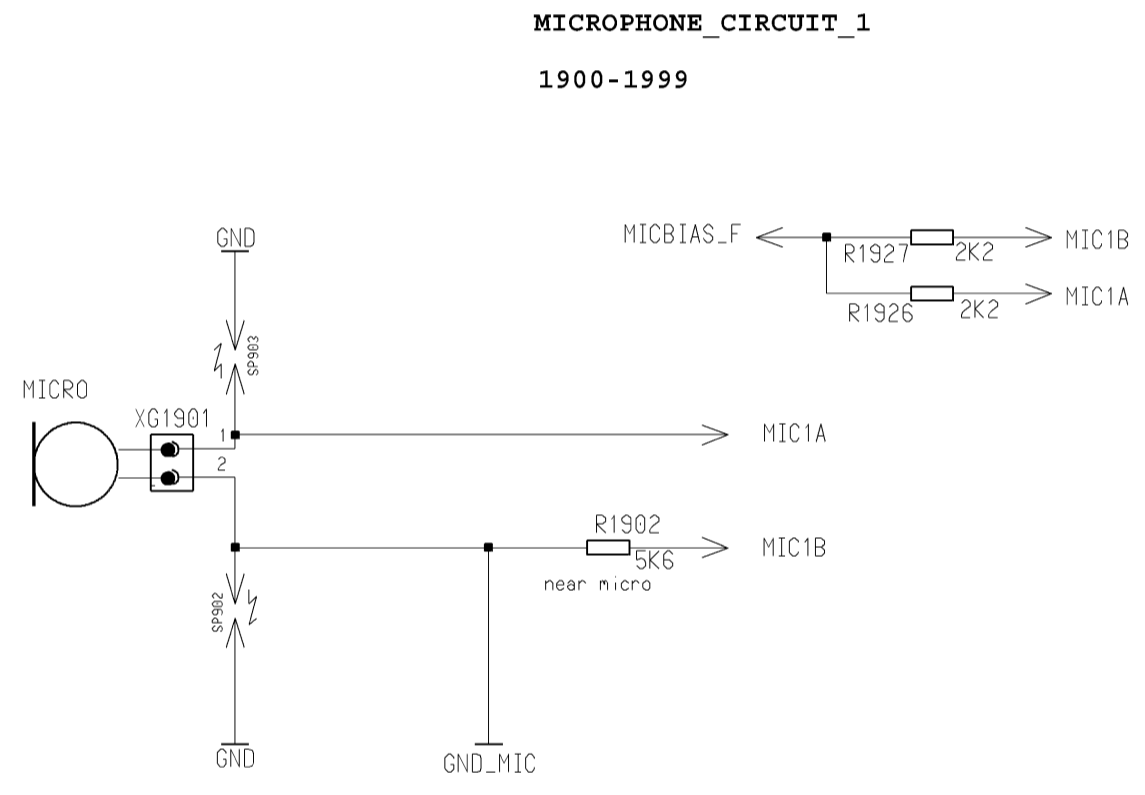
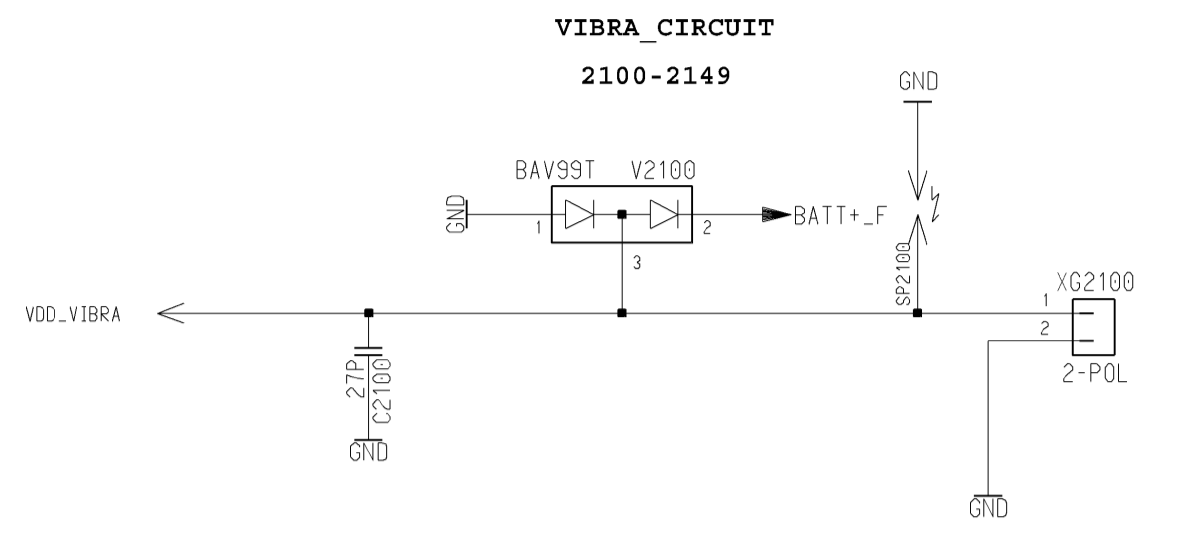
Proprietary data, Company confidential.
all rights reserved

Als Betriebsgeheimnis anvertraut
alle Rechte vorbehalten

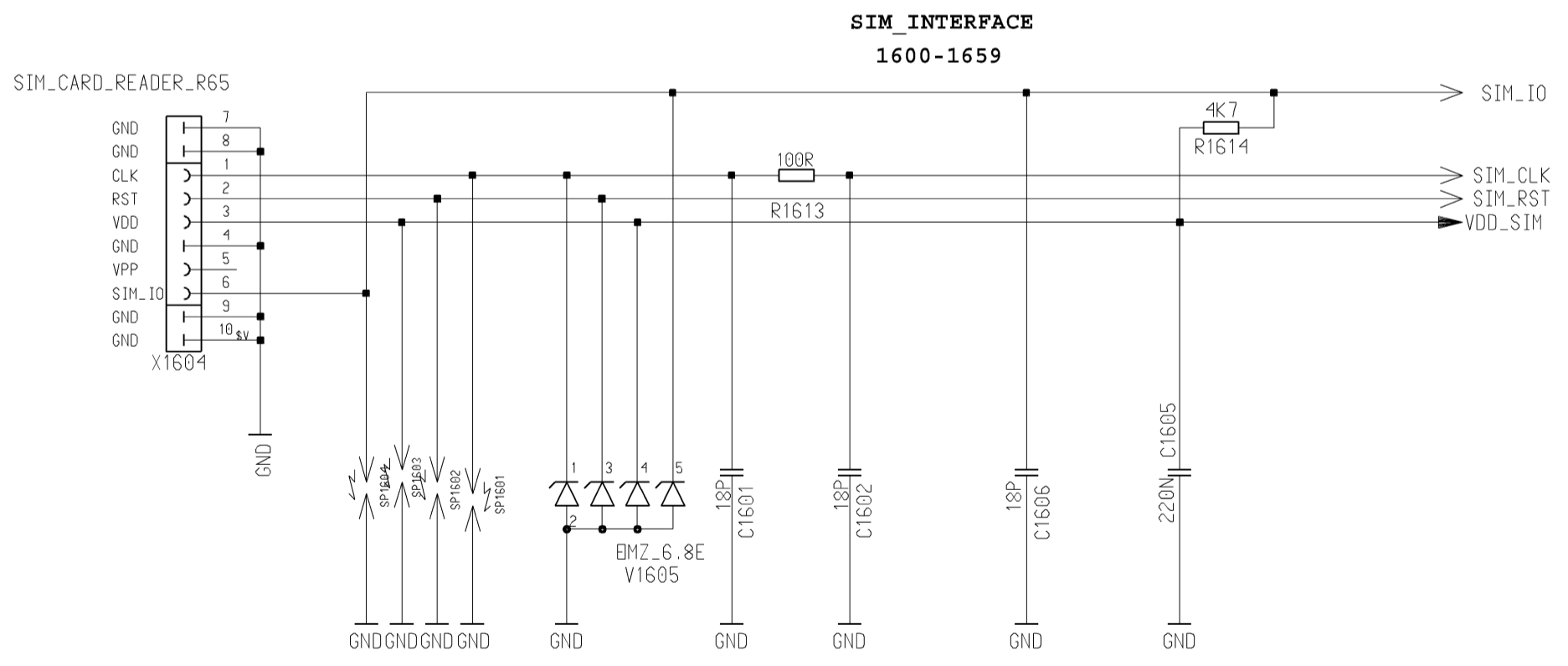
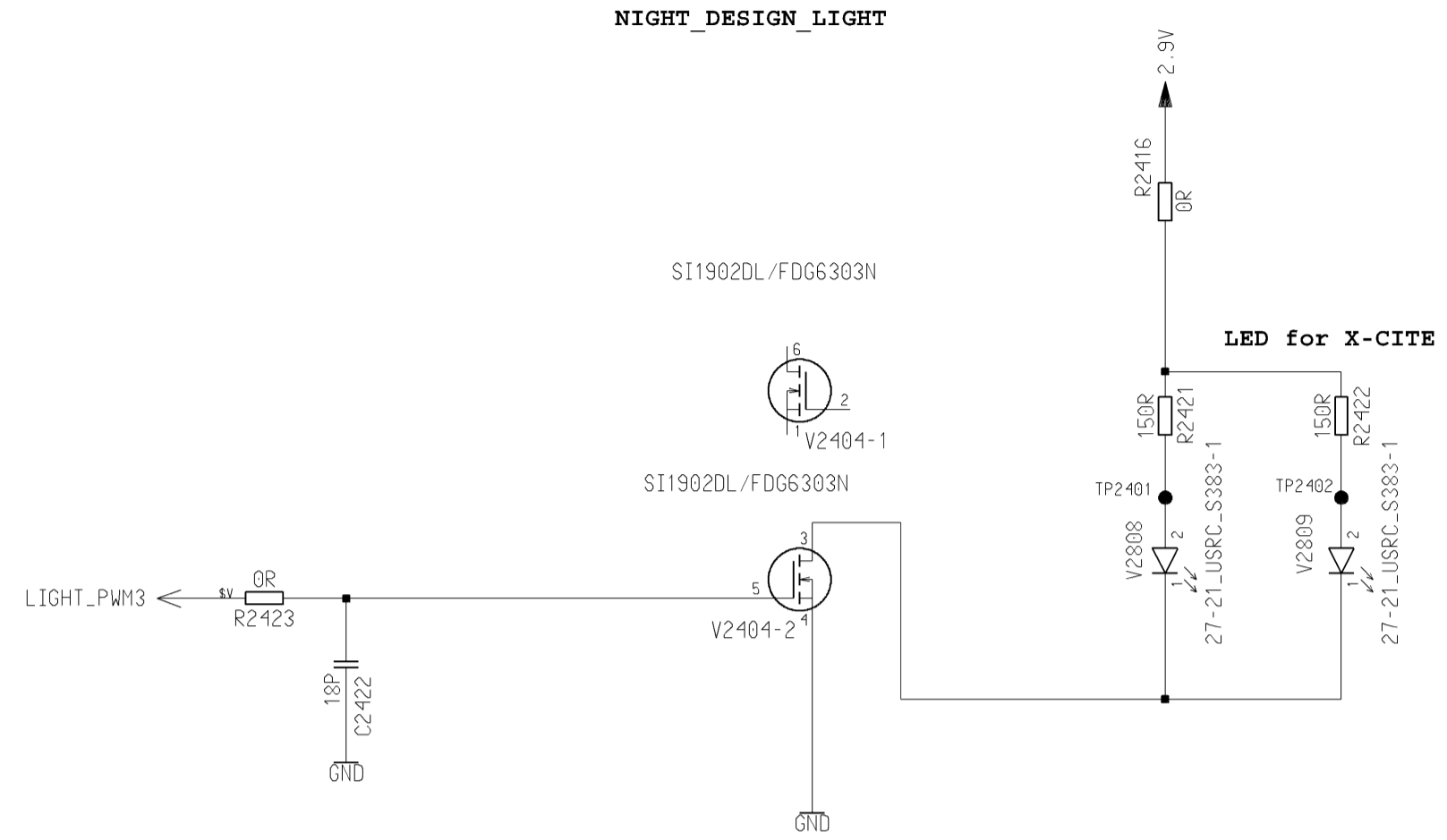
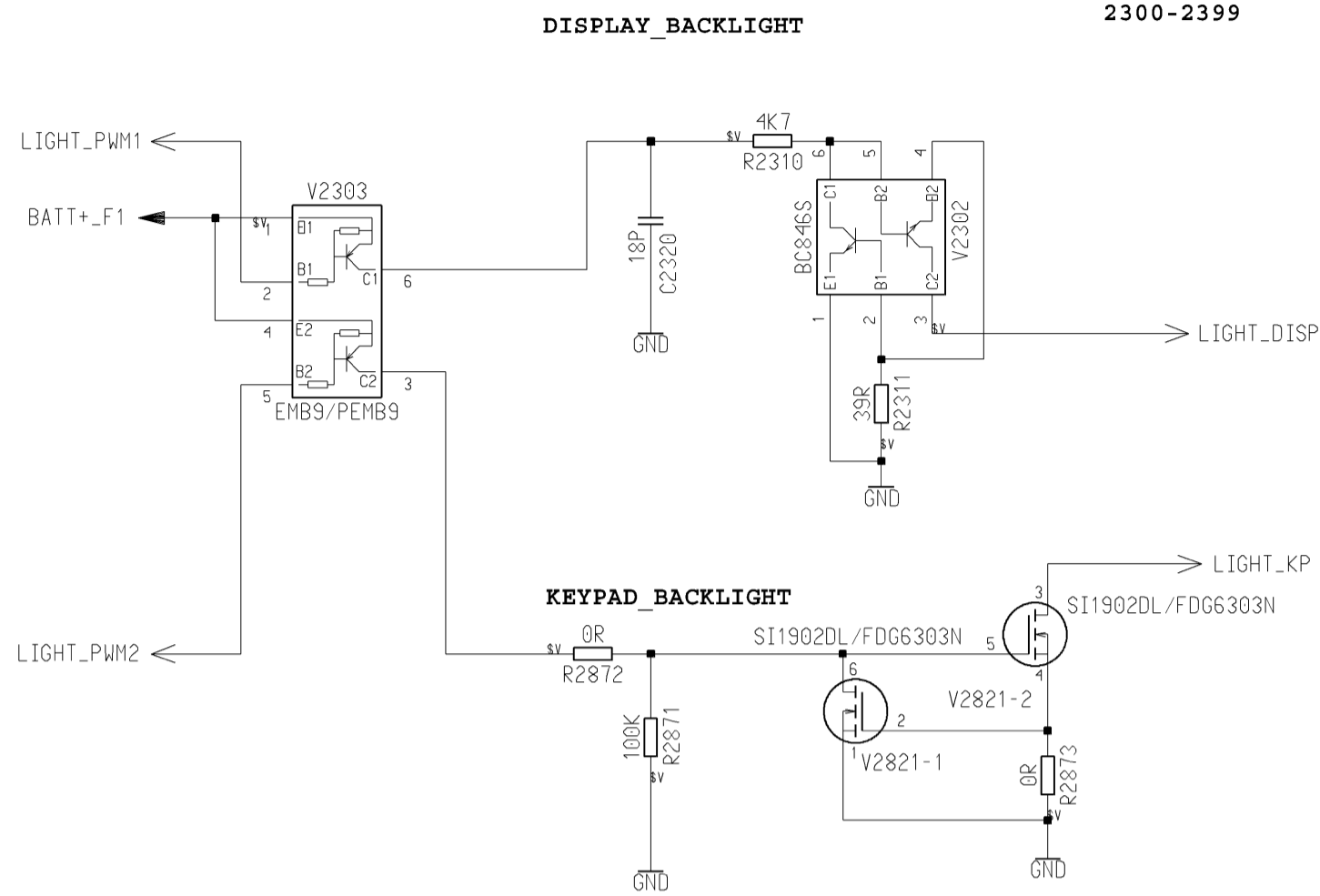


VERS.	CHANGE NUMBER	DATE	NAME	DATE	USER	DATE	NAME
8	13427	07.06.2004	Nol	20.03.2003	Merk		
7	14598	29.04.2004	Nol	APPR'D			
6	14205	20.04.2004	Nol				
5	13570	26.03.2004	Me	MP UC RD ED Ulm			
4	13452	22.03.2004	Me				
3	13340	17.03.2004	Nol				
2	13223	12.03.2004	Nol				

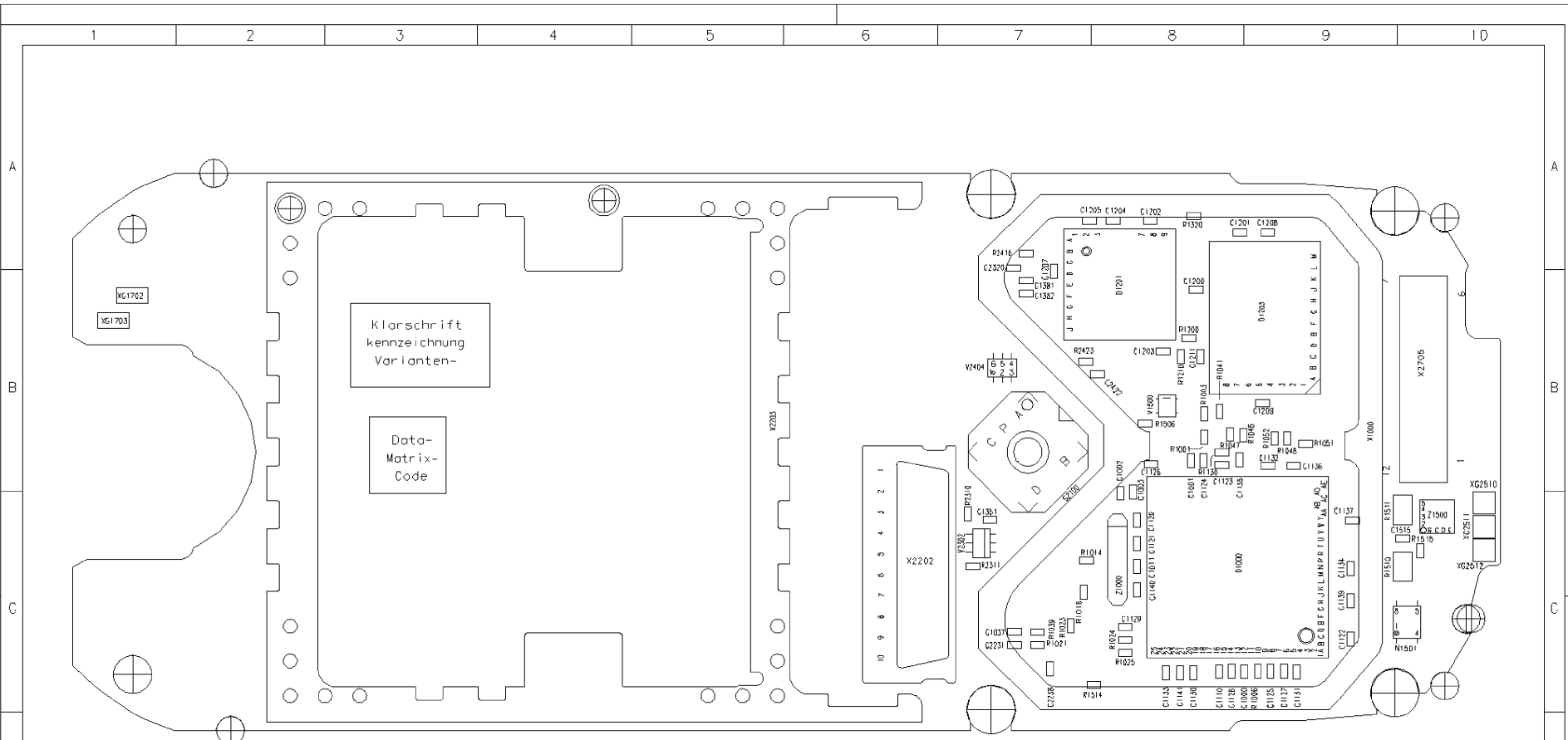
R65-X-Cite V1		Siemens AG	68290	sheet8
B2.1 Layout HIT				
TOP HIERARCHY LEVEL				
SCHEMATIC				
(Created by BOM number: A5B00900146312-13427)				



VERS.	CHANGE NUMBER	DATE	NAME	DATE	20.03.2003	R65-X-Cite V1 B2.1 Layout HIT TOP HIERARCHY LEVEL SCHEMATIC	1:1
8	13427	07.06.2004		Not	Merk		
7	14598	29.04.2004		Not	APPR'D		
6	14205	20.04.2004		Not			
5	13570	26.03.2004	Me	MP UC RD ED Ulm			
4	13452	22.03.2004	Me				
3	13340	17.03.2004	Not				
2	13223	12.03.2004	Not				
Siemens AG						68290	sheet9
(Created by BOM number: A5B00900146312-13427)							



VERS.	CHANGE NUMBER	DATE	NAME	DATE	20.03.2003	R65-X-Cite V1 B2.1 Layout HIT TOP HIERARCHY LEVEL SCHEMATIC	1:1
8	13427	07.06.2004	Nol	USER	Merk		
7	14598	29.04.2004	Nol	APPR'D			
6	14205	20.04.2004	Nol				
5	13570	26.03.2004	Me	MP UC RD ED Ulm			
4	13452	22.03.2004	Me				
3	13340	17.03.2004	Nol				
2	13223	12.03.2004	Nol				
				Siemens AG		68290	sheet10
						(Created by BOM number: A5B00900146312-13427)	



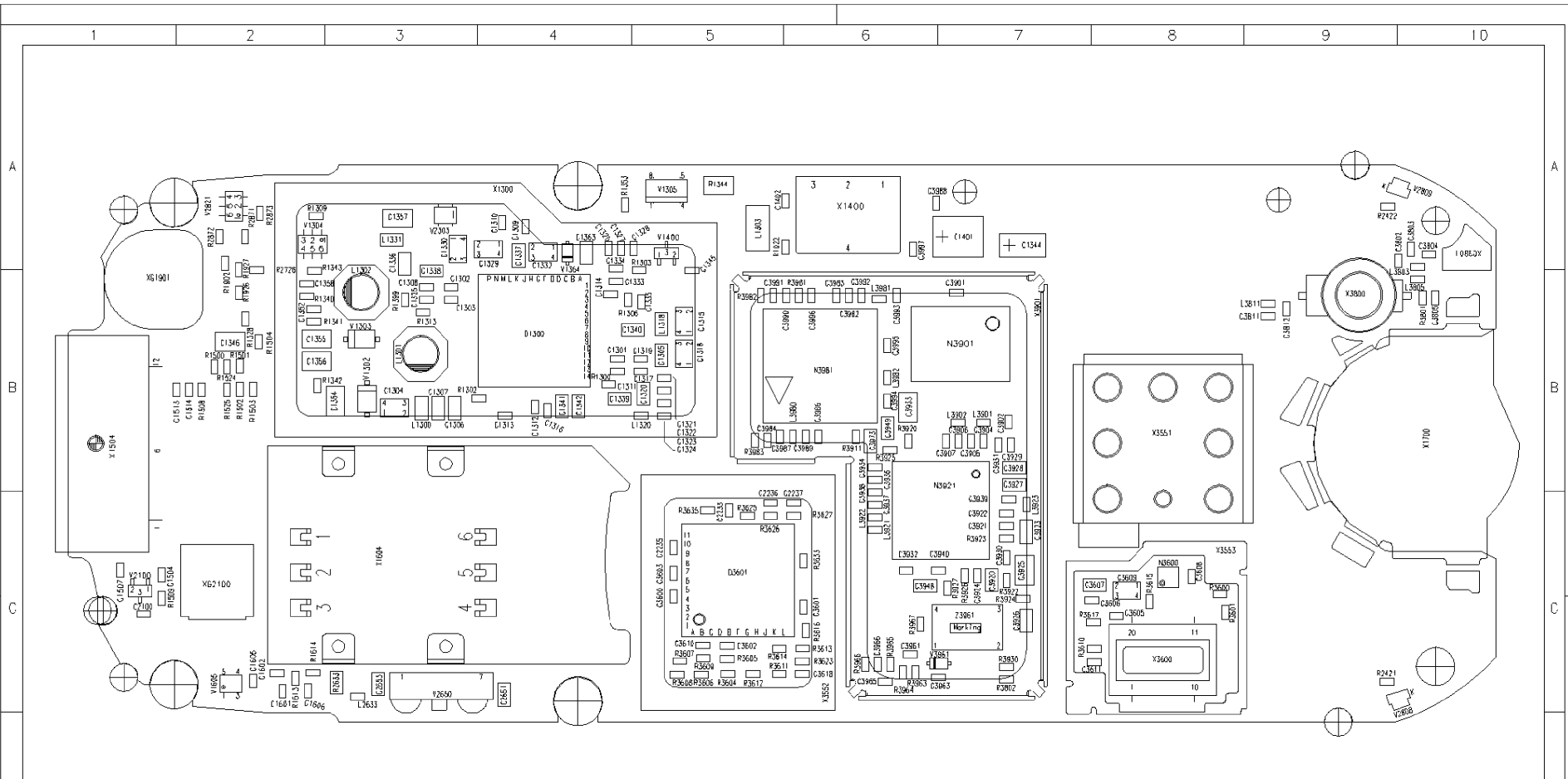
C1000	8C	C1141	8C	R1018	7C	V2302	7C
C1001	8B	C1200	8B	R1021	7C	Y2404	7B
C1002	8B	C1201	8A	R1023	7C	Y1000	9C
C1003	8B	C1202	8A	R1024	8C	X2202	6B
C1011	8C	C1203	8B	R1025	8C	X2203	2A
C1037	7C	C1204	8A	R1038	7C	X2705	10B
C1110	8C	C1205	7A	R1041	8B	Z1000	8C
C1120	8C	C1207	7A	R1046	8B	Z1500	10C
C1121	8C	C1208	9A	R1047	8B		
C1122	9C	C1209	9B	R1048	9B		
C1123	8B	C1211	8B	R1051	9B		
C1124	8B	C1351	7C	R1052	9B		
C1126	9C	C1381	7B	R1130	8B		
C1126	8B	C1382	7B	R1200	8B		
C1127	9C	C1515	10C	R1210	8B		
C1128	8C	C2231	7C	R1320	8A		
C1129	8C	C2238	7C	R1508	8B		
C1130	8C	C2320	7A	R1510	10C		
C1131	9C	C2422	7B	R1511	10C		
C1132	9B	D1000	8C	R1514	8C		
C1133	8C	D1201	7A	R1515	10C		
C1134	9C	D1203	9B	R2310	7C		
C1136	8B	N1501	8C	R2311	7C		
C1136	9B	R1001	8B	R2416	7A		
C1137	9C	R1003	8B	R2423	8B		
C1139	9C	R1006	8C	S2700	7B		
C1140	8C	R1014	8C	V1500	8B		

Achtung : Hoehenprofil C24_...-...-42 (gilt nur fuer Entwicklung)
Liefervarianten siehe : V24851-Z2000-A1--35

8	13427	07.06.2004	NoI	DATE	20.03.2003	R65-X-Cite V1 B2.1 Layout HIT WIRING DIAGRAM (SOLDER SIDE I)	3:1		
7	14596	29.04.2004	NoI	NAME	Merk				
6	14205	20.04.2004	NoI	APPR'D					
5	13570	26.03.2004	Me	STD					
4	13452	22.03.2004	Me	MP UC RD ED U1m					
3	13340	17.03.2004	NoI	SIEMENS AG	68291	SHEET 1+			
2	13223	12.03.2004	NoI						
VERS. CHANGE NUMBER				DATE		NAME		(Created by BOM number: A5B00900146312-13427)	

PROPRIETARY DATA - COMPANY CONFIDENTIAL
ALL RIGHTS RESERVED

ALS BETRIEBSGEHEIMNIS ANVERTRAUT
ALLE RECHTE VORBEHALTEN



C1301	4B	C1329	4A	C1514	2B	C3611	9B	C3948	6C	L1316	5B	R1341	2B	R3601	8C	R3925	6B	X1504	1C
C1302	3B	C1330	3A	C1601	2C	C3612	9B	C3949	6B	L1320	5B	R1342	2B	R3604	5C	R3926	7C	X1604	2C
C1303	3B	C1332	4A	C1602	2C	C3601	1C	C3961	6C	L1331	3A	R1343	2B	R3605	5C	R3927	7C	X1700	10C
C1304	3B	C1333	4B	C1605	2C	C3602	7B	C3963	7C	L2653	3C	R1344	5A	R3606	5C	R3930	7C	X3551	8B
C1305	5B	C1334	4A	C1606	2C	C3604	7B	C3965	6C	L3003	10A	R1353	4A	R3607	5C	R3963	6C	X3552	5B
C1306	5B	C1335	5B	C2100	1C	C3605	7B	C3966	6C	L3805	10B	R1359	3B	R3608	5C	R3964	6C	X3553	7C
C1307	3B	C1336	3B	C2233	5C	C3606	7B	C3973	6B	L3811	9B	R1500	2B	R3609	5C	R3965	6C	X3600	8C
C1308	3B	C1337	4A	C2235	5C	C3607	7B	C3982	6B	L3901	7B	R1501	2B	R3610	8C	R3966	6C	X3601	9B
C1309	4A	C1338	3B	C2236	5C	C3620	7C	C3983	6B	L3902	7B	R1502	2B	R3611	6C	R3967	6C	X3901	7C
C1310	4A	C1339	4B	C2237	6C	C3621	7C	C3984	5B	L3921	6C	R1503	2B	R3612	5C	R3981	6B	Z3961	7C
C1311	4B	C1340	5B	C2651	4C	C3622	7C	C3986	6B	L3922	6C	R1504	2B	R3613	6C	R3982	5B		
C1312	4B	C1341	4B	C2653	5C	C3623	7C	C3987	5B	L3923	7C	R1506	2B	R3614	5C	R3983	5B		
C1313	4B	C1342	4B	C3600	5C	C3624	7C	C3988	6A	L3980	6B	R1509	1C	R3615	8C	V1302	3B		
C1314	4B	C1344	7A	C3601	6C	C3925	7C	C3989	6B	L3981	6B	R1524	2B	R3616	6C	V1303	3B		
C1315	5B	C1345	5A	C3602	9C	C3626	7C	C3990	6B	L3982	6B	R1525	2B	R3617	8C	V1304	2A		
C1316	4B	C1346	2B	C3603	5C	C3627	7B	C3991	5B	N3600	8C	R1613	2C	R3623	6C	V1305	5A		
C1317	5B	C1352	2B	C3606	8C	C3628	7B	C3992	6B	N3901	7B	R1614	2C	R3626	6C	V1364	4A		
C1318	5B	C1354	3B	C3606	7C	C3629	7B	C3993	6B	N3921	7B	R1902	2A	R3626	5C	V1400	5A		
C1319	5B	C1355	3B	C3607	7C	C3630	7C	C3994	6B	N3981	5B	R1926	2B	R3627	6C	V1605	2C		
C1320	5B	C1356	3B	C3608	8C	C3631	7B	C3995	6B	R1022	6A	R1927	2B	R3633	6C	V2100	1C		
C1321	5B	C1357	3A	C3609	8C	C3632	6C	C3996	6B	R1300	4B	R2421	9C	R3635	5C	V2303	3A		
C1322	4A	C1358	2B	C3610	5C	C3633	6B	C3997	6A	R1202	3B	R2422	9A	R3801	10B	V2650	4C		
C1323	5B	C1363	4A	C3611	7C	C3634	6B	D1300	4B	R1303	5A	R2633	3C	R3802	7C	V2808	10C		
C1324	5B	C1401	6A	C3618	6C	C3635	6B	D3601	5C	R1306	4B	R2728	2A	R3911	6B	V2809	9A		
C1325	3B	C1402	6A	C3602	10A	C3637	6C	L1300	3B	R1309	2A	R2871	2A	R3920	6B	V2821	2A		
C1326	4A	C1504	1C	C3603	10A	C3638	6C	L1301	3B	R1313	3B	R2872	2A	R3922	7C	V3961	6C		
C1327	4A	C1507	1C	C3804	10A	C3639	7C	L1302	3B	R1328	2B	R2873	2A	R3923	7C	X1300	4B		
C1328	5A	C1515	1B	C3805	10B	C3940	7C	L1303	5A	R1340	2B	R3600	8C	R3924	7C	X1400	6A		

Achtung : Hoehenprofil C24_...-42 (gilt nur fuer Entwicklung)
Liefervarianten siehe : V24851-Z2000-A1--35

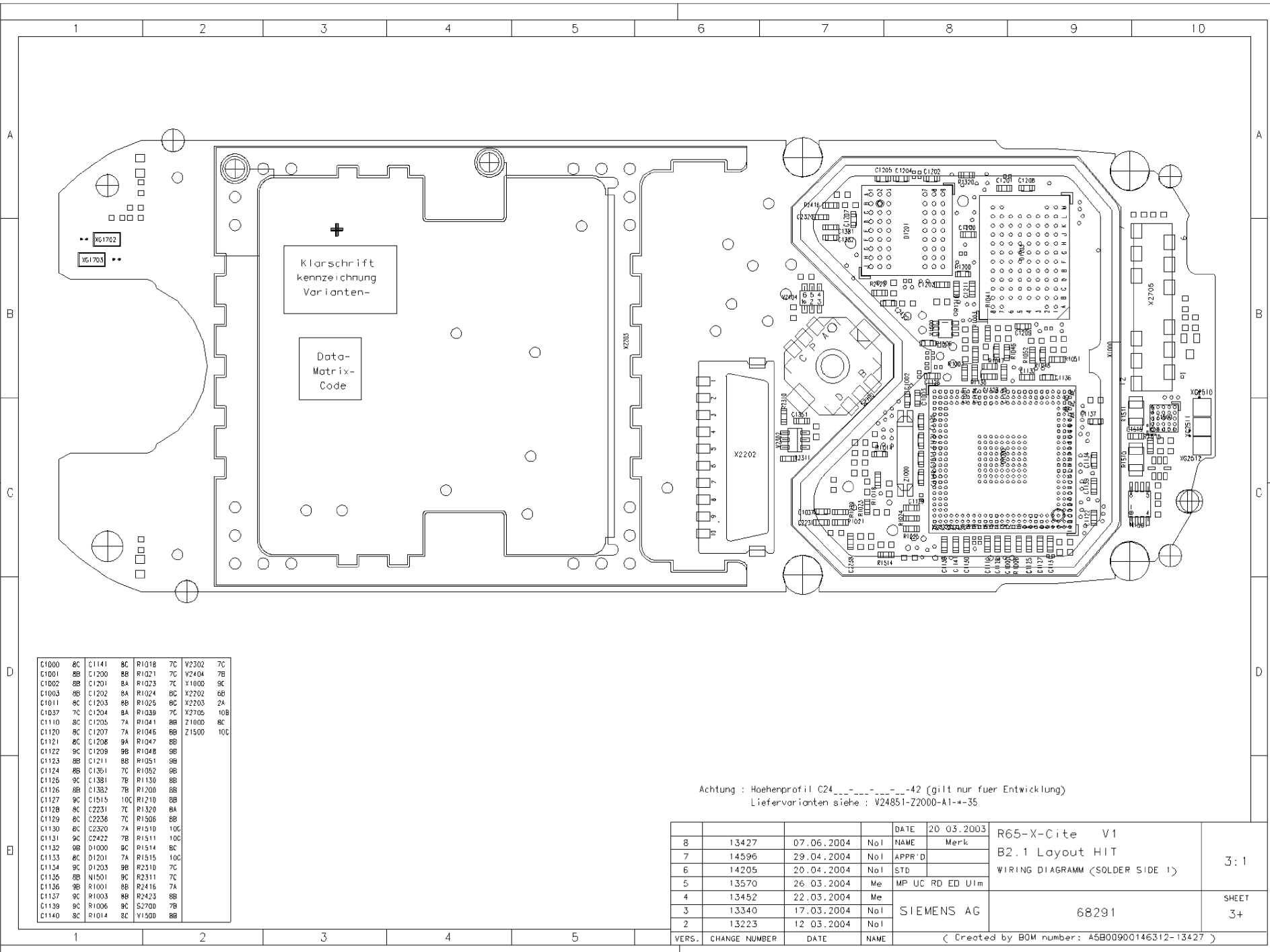
VERS.	CHANGE NUMBER	DATE	NAME	DATE	20.03.2003	R65-X-Cite V1	
8	13427	07.06.2004	NoI	NAME		Merck	
7	14596	29.04.2004	NoI	APPR'D			
6	14205	20.04.2004	NoI	STD			
5	13570	26.03.2004	Me	MP UC RD ED U1m			
4	13452	22.03.2004	Me				
3	13340	17.03.2004	NoI				
2	13223	12.03.2004	NoI	SIEMENS AG		68291	

WIRING DIAGRAM (SOLDER SIDE 2)
3:1
SHEET 2+

(Created by BOM number: A5B00900146312-13427)

PROPRIETARY DATA - COMPANY CONFIDENTIAL
ALL RIGHTS RESERVED

ALS BETRIEBSCHEIMNIS ANVERTRAUT
ALLE RECHTE VORBEHALTEN



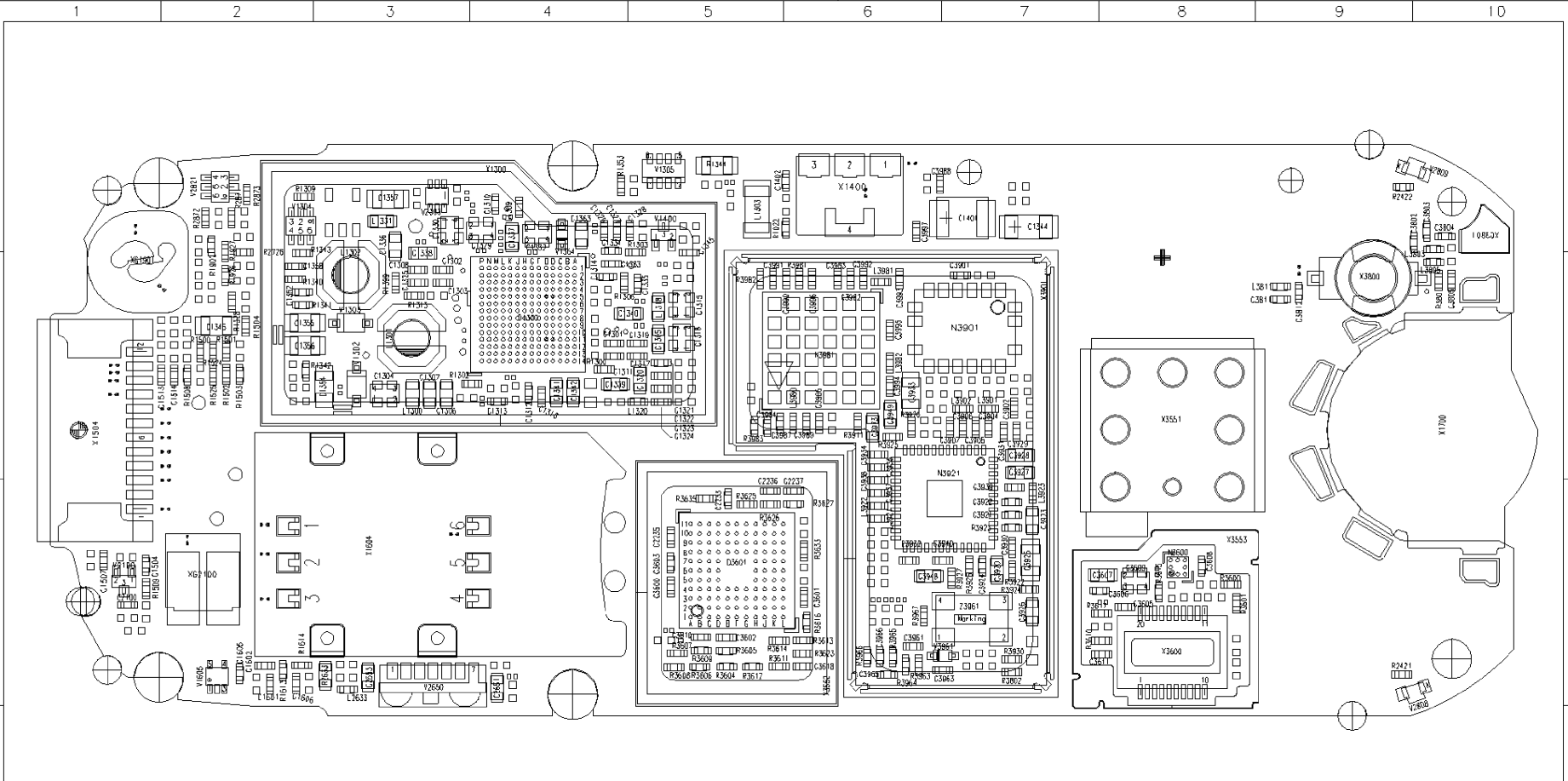
C1000	8C	C1141	8C	R1018	7C	V2302	7C
C1001	8B	C1200	8B	R1021	7C	Y2404	7B
C1002	8B	C1201	8A	R1023	7C	Y1000	9C
C1003	8B	C1202	8A	R1024	8C	X2202	6B
C1011	8C	C1203	8B	R1025	8C	X2203	2A
C1037	7C	C1204	8A	R1038	7C	X2705	10B
C1110	8C	C1205	7A	R1041	8B	Z1000	8C
C1120	8C	C1207	7A	R1045	8B	Z1500	10C
C1121	8C	C1208	9A	R1047	8B		
C1122	9C	C1209	9B	R1048	9B		
C1123	8B	C1211	8B	R1051	9B		
C1124	8B	C1351	7C	R1052	9B		
C1126	9C	C1381	7B	R1130	8B		
C1126	8B	C1382	7B	R1200	8B		
C1127	9C	C1515	10C	R1210	8B		
C1128	8C	C2231	7C	R1320	8A		
C1129	8C	C2238	7C	R1508	8B		
C1130	8C	C2320	7A	R1510	10C		
C1131	9C	C2422	7B	R1511	10C		
C1132	9B	D1000	9C	R1514	8C		
C1133	8C	D1201	7A	R1515	10C		
C1134	9C	D1203	9B	R2310	7C		
C1136	8B	N1501	8C	R2311	7C		
C1136	9B	R1001	8B	R2416	7A		
C1137	9C	R1003	8B	R2423	8B		
C1139	9C	R1006	8C	S2700	7B		
C1140	8C	R1014	8C	V1500	8B		

Achtung : Hoehenprofil C24_..._..._42 (gilt nur fuer Entwicklung)
Liefervarianten siehe : V24851-Z2000-A1--35

VERS.	CHANGE NUMBER	DATE	NAME	DATE	20.03.2003	R65-X-Cite V1	3:1
8	13427	07.06.2004	NoI	NAME	Merk	B2.1 Layout HIT	
7	14596	29.04.2004	NoI	APPR'D			
6	14205	20.04.2004	NoI	STD		WIRING DIAGRAM (SOLDER SIDE 1)	3:1
5	13570	26.03.2004	Me	MP UC RD ED U1m			
4	13452	22.03.2004	Me			SIEMENS AG	SHEET 3+
3	13340	17.03.2004	NoI				
2	13223	12.03.2004	NoI				
						68291	
(Created by BOM number : A5B00900146312-13427)							

PROPRIETARY DATA - COMPANY CONFIDENTIAL
 ALL RIGHTS RESERVED

ALS BETRIEBSGHEIMNIS ANVERTRAUT
 ALLE RECHTE VORBEHALTEN



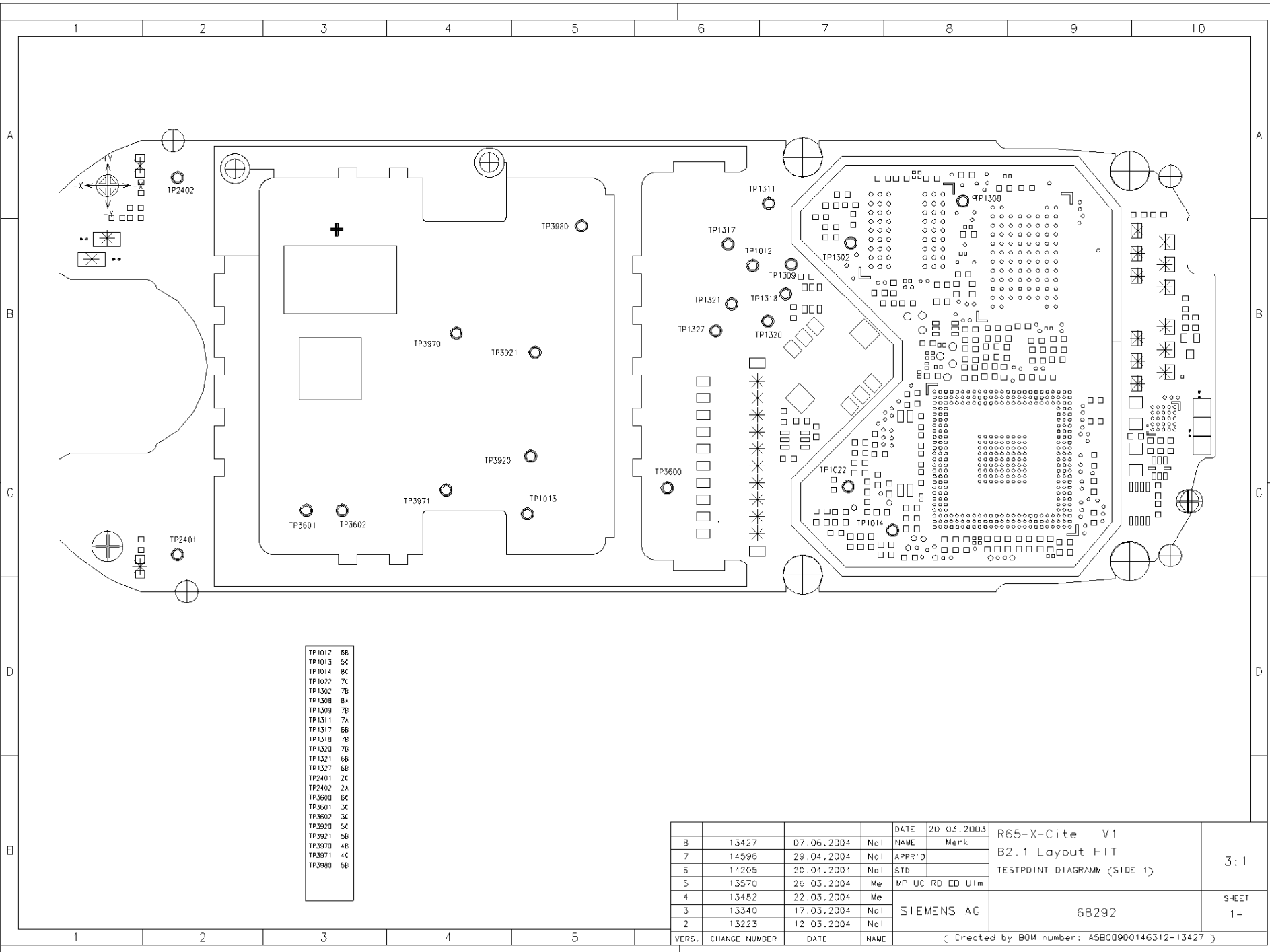
C1301	4B	C1329	4A	C1514	2B	C3811	9B	C3948	6C	L1316	5B	R1341	2B	R3601	8C	R3925	6B	X1504	1C
C1302	3B	C1320	3A	C1601	2C	C3812	9B	C3949	6B	L1320	5B	R1342	2B	R3604	5C	R3926	7C	X1604	2C
C1303	3B	C1332	4A	C1602	2C	C3901	7B	C3961	6C	L1331	3A	R1343	2B	R3605	5C	R3927	7C	X1700	10C
C1304	3B	C1333	4B	C1605	2C	C3902	7B	C3962	7C	L2653	3C	R1344	5A	R3606	5C	R3930	7C	X3551	8B
C1305	5B	C1354	4A	C1606	2C	C3904	7B	C3965	6C	L3803	10A	R1353	4A	R3607	5C	R3963	6C	X3552	5B
C1306	5B	C1335	5B	C2233	5C	C3905	7B	C3966	6C	L3805	10B	R1399	3B	R3608	5C	R3964	6C	X3553	7C
C1307	5B	C1336	3B	C2233	5C	C3906	7B	C3973	6B	L3811	9B	R1500	2B	R3609	5C	R3965	6C	X3600	8C
C1308	5B	C1337	4A	C2235	5C	C3907	7B	C3982	6B	L3901	7B	R1501	2B	R3610	8C	R3966	6C	X3600	9B
C1309	4A	C1338	3B	C2236	5C	C3920	7C	C3983	6B	L3902	7B	R1502	2B	R3611	6C	R3967	6C	X3301	7C
C1310	4A	C1339	4B	C2237	6C	C3921	7C	C3984	5B	L3921	6C	R1503	2B	R3612	5C	R3981	6B	Z3961	7C
C1311	4B	C1340	5B	C2651	4C	C3922	7C	C3986	6B	L3922	6C	R1504	2B	R3613	6C	R3982	5B		
C1312	4B	C1341	4B	C2653	3C	C3923	7C	C3987	5B	L3923	7C	R1506	2B	R3614	5C	R3983	5B		
C1313	4B	C1342	4B	C3600	5C	C3924	7C	C3988	6A	L3980	6B	R1509	1C	R3615	8C	V1302	3B		
C1314	4B	C1344	7A	C3601	6C	C3925	7C	C3988	6B	L3981	6B	R1524	2B	R3616	6C	V1303	3B		
C1315	5B	C1345	5A	C3602	9C	C3926	7C	C3990	6B	L3982	6B	R1525	2B	R3617	8C	V1304	2A		
C1316	4B	C1346	2B	C3603	5C	C3927	7B	C3991	5B	N3600	8C	R1613	2C	R3623	6C	V1305	5A		
C1317	5B	C1352	2B	C3606	8C	C3928	7B	C3992	4B	N3901	7B	R1614	2C	R3625	6C	V1364	4A		
C1318	5B	C1354	3B	C3606	7C	C3929	7B	C3993	6B	N3921	7B	R1902	2A	R3626	5C	V1400	5A		
C1319	5B	C1355	3B	C3607	7C	C3930	7C	C3994	6B	N3981	5B	R1926	2B	R3627	6C	V1605	2C		
C1320	5B	C1356	3B	C3608	8C	C3931	7B	C3995	6B	R1022	6A	R1927	2B	R3633	6C	V2100	10C		
C1321	5B	C1357	3A	C3609	8C	C3932	6C	C3996	6B	R1300	4B	R2421	9C	R3635	5C	V2303	3A		
C1322	4B	C1358	2B	C3610	5C	C3933	6B	C3997	6A	R1202	3B	R2422	9A	R3801	10B	V2950	4C		
C1323	5B	C1363	4A	C3611	7C	C3934	6B	L1300	4B	R1303	5A	R2633	3C	R3802	7C	V2808	10C		
C1324	5B	C1401	6A	C3618	6C	C3935	6B	D3601	5C	R1306	4B	R2728	2A	R3911	6B	V2809	9A		
C1325	3B	C1402	6A	C3602	10A	C3937	6C	L1300	3B	R1309	2A	R2871	2A	R3920	6B	V2821	2A		
C1326	4A	C1504	1C	C3803	10A	C3939	6C	L1301	3B	R1313	3B	R2872	2A	R3922	7C	V3961	6C		
C1327	4A	C1507	1C	C3904	10A	C3939	7C	L1302	3B	R1318	2B	R2873	2A	R3923	7C	X1300	4B		
C1328	5A	C1515	1B	C3805	10B	C3940	7C	L1303	5A	R1340	2B	R3600	8C	R3924	7C	X1400	6A		

Achtung : Höhenprofil C24_...-42 (gilt nur fuer Entwicklung)
 Liefervarianten siehe : V24851-Z2000-A1--35

				DATE	20.03.2003	R65-X-Cite V1			
				NAME	Merck	B2.1 Layout HIT			
				APPR'D		WIRING DIAGRAM (SOLDER SIDE 2)		3:1	
				STD					
				MP UC RD ED U1m					
				SIEMENS AG		68291		SHEET	
								4-	
				Created by BOM number: A5B00900146312-13427					
VERS.	CHANGE NUMBER	DATE	NAME	DATE	NAME	DATE	NAME	DATE	NAME
8	13427	07.06.2004	NoI						
7	14596	29.04.2004	NoI						
6	14205	20.04.2004	NoI						
5	13570	26.03.2004	Me						
4	13452	22.03.2004	Me						
3	13340	17.03.2004	NoI						
2	13223	12.03.2004	NoI						

PROPRIETARY DATA - COMPANY CONFIDENTIAL
ALL RIGHTS RESERVED

ALS BETRIEBSGEHEIMNIS ANVERTRAUT
ALLE RECHTE VORBEHALTEN

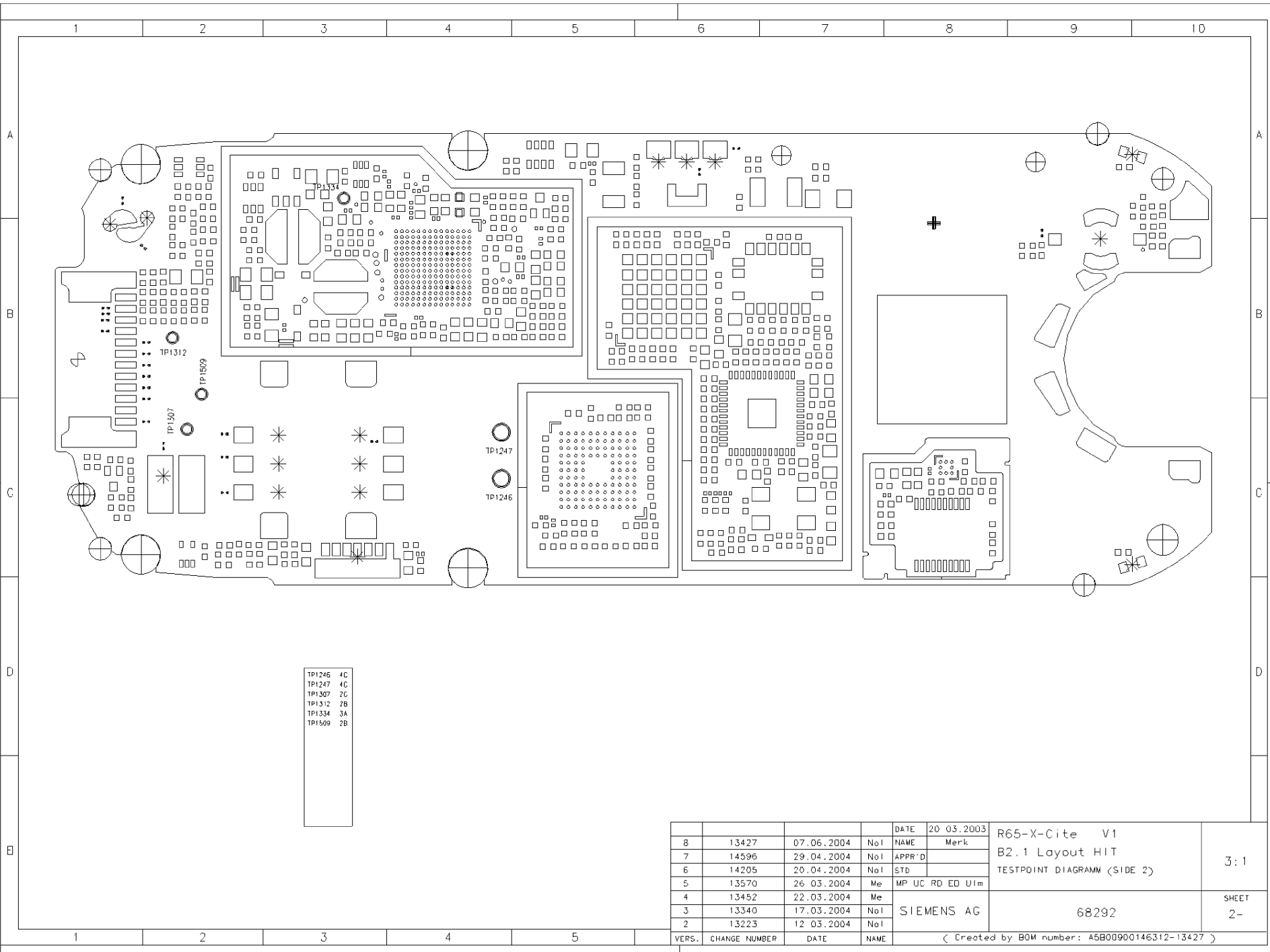


- TP1012 6B
- TP1013 5C
- TP1014 8C
- TP1022 7C
- TP1302 7B
- TP1308 8A
- TP1309 7B
- TP1311 7A
- TP1317 6B
- TP1318 7B
- TP1320 7B
- TP1321 6B
- TP1327 6B
- TP2401 2C
- TP2402 2A
- TP3600 6C
- TP3601 3C
- TP3602 3C
- TP3920 5C
- TP3921 5B
- TP3970 4B
- TP3971 4C
- TP3980 5B

VERS.	CHANGE NUMBER	DATE	NAME	DATE	20.03.2003	R65-X-Cite V1 B2.1 Layout HIT TESTPOINT DIAGRAM (SIDE 1)	3:1	
8	13427	07.06.2004	NoI	NAME	Merk			
7	14596	29.04.2004	NoI	APPR'D				
6	14205	20.04.2004	NoI	STD				
5	13570	26.03.2004	Me	MP UC RD ED U1m				
4	13452	22.03.2004	Me					
3	13340	17.03.2004	NoI	SIEMENS AG				
2	13223	12.03.2004	NoI					
VERS. CHANGE NUMBER DATE NAME						(Created by BOM number: A5B00900146312-13427)	68292	SHEET 1+

PROPRIETARY DATA - COMPANY CONFIDENTIAL
ALL RIGHTS RESERVED

ALS BETRIEBSCHEIMNIS ANVERTRAUT
ALLE RECHTE VORBEHALTEN

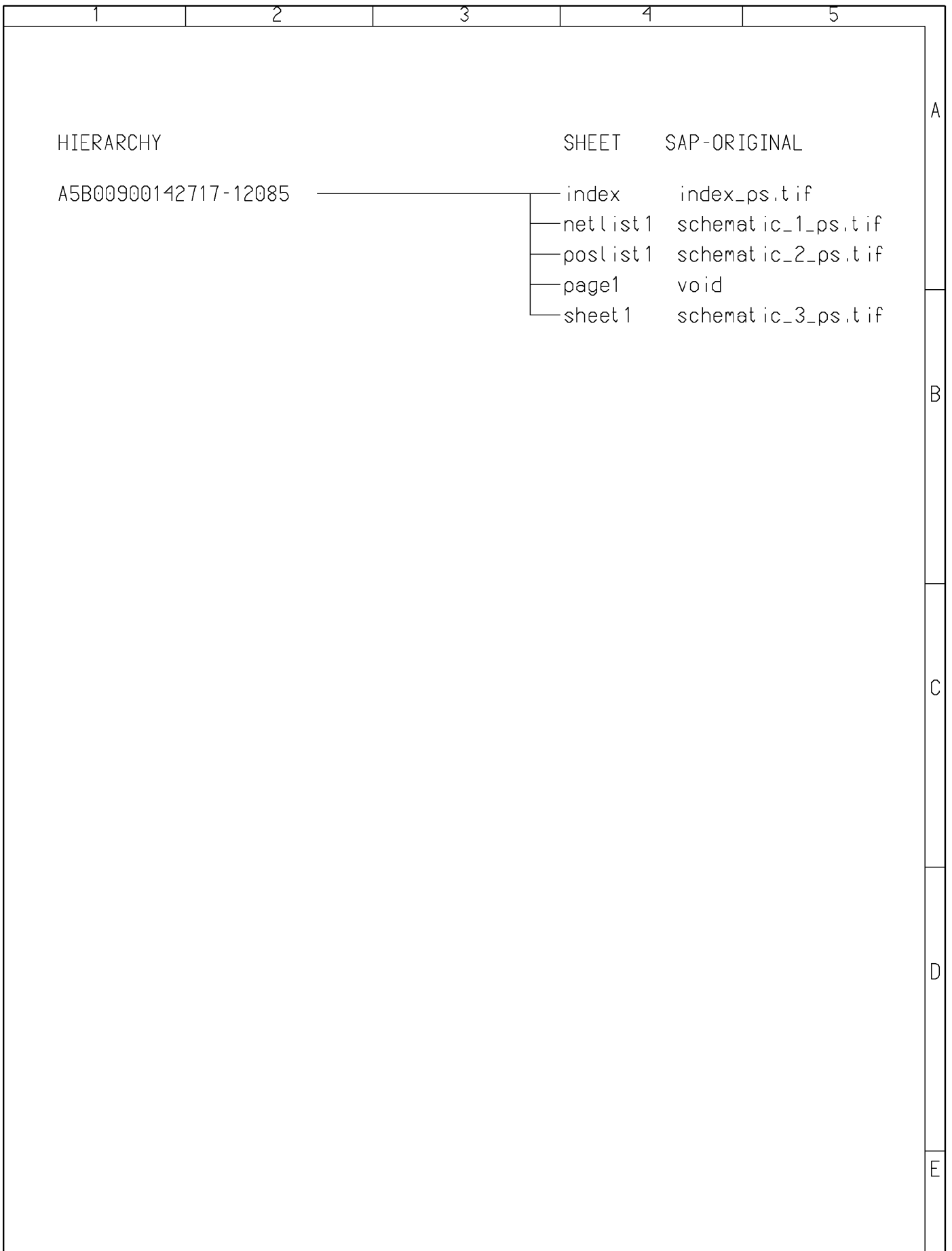


TP1246	4C
TP1247	4C
TP1307	2C
TP1312	2B
TP1334	3A
TP1509	2B

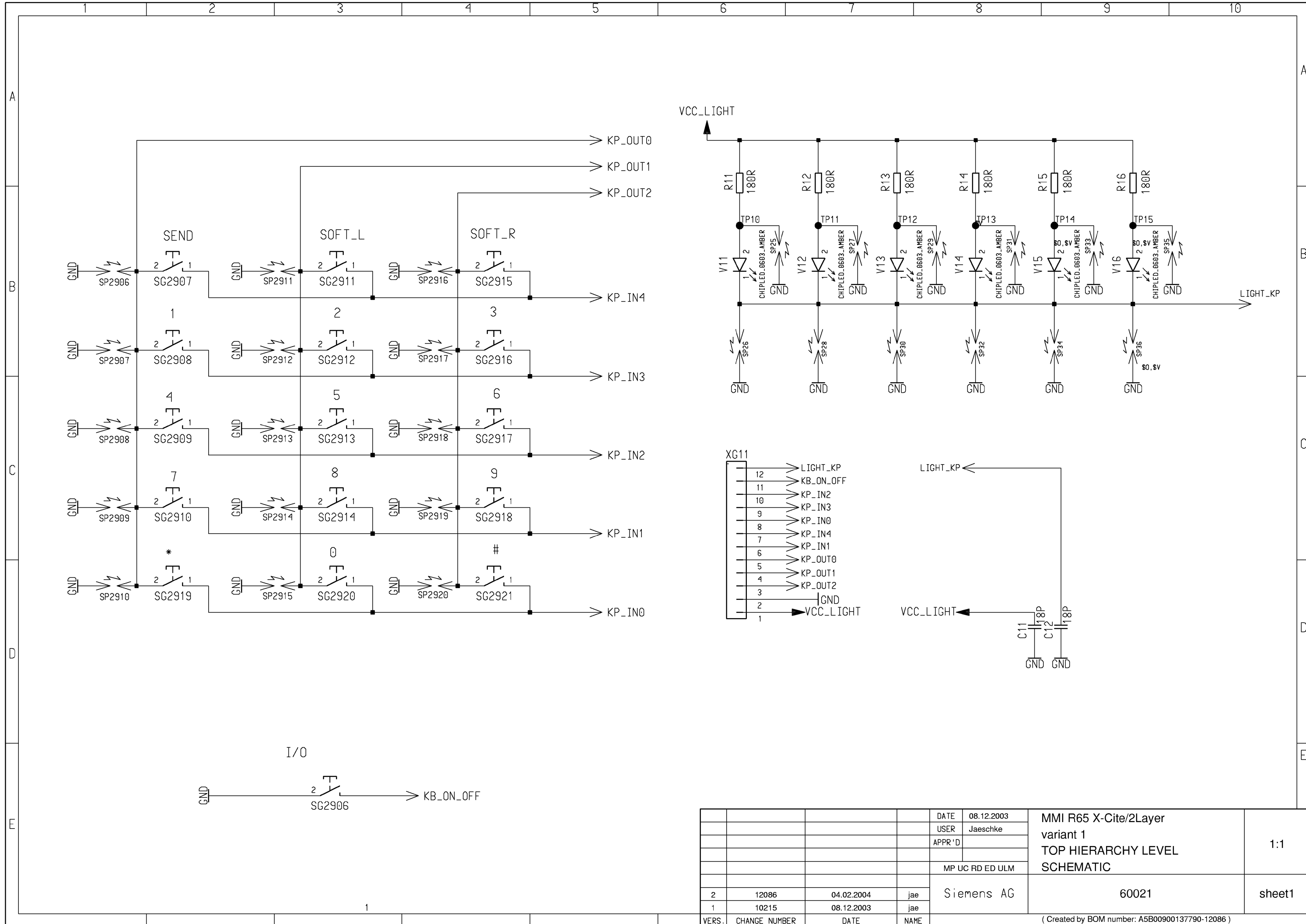
VERS.	CHANGE NUMBER	DATE	NAME	DATE	20.03.2003	R65-X-Cite V1	3:1
8	13427	07.06.2004	NoI	NAME	Merk	B2.1 Layout HIT	
7	14596	29.04.2004	NoI	APPR'D		TESTPOINT DIAGRAM (SIDE 2)	
6	14205	20.04.2004	NoI	STD			
5	13570	26.03.2004	Me	MP UC RD ED U1m			
4	13452	22.03.2004	Me				
3	13340	17.03.2004	NoI	SIEMENS AG		68292	
2	13223	12.03.2004	NoI				
(Created by BOM number: A5B00900146312-13427)							

Proprietary data, company confidential.
All rights reserved

Als Betriebsgeheimnis anvertraut
Alle Rechte vorbehalten



				DATE	08.12.2003	MMI R65 X-Cite/2Layer variant 1 TOP HIERARCHY LEVEL SCHEMATIC	1:1
				USER	Jaeschke		
				APPR'D			
				MP UC RD ED ULM			
2	12086	04.02.2004	jae	Siemens AG		60021	index
1	10215	08.12.2003	jae				
VERS.	CHANGE NUMBER	DATE	NAME	(Created by BOM number: A5B00900137790-12086)			



DATE	08.12.2003	MMI R65 X-Cite/2Layer variant 1 TOP HIERARCHY LEVEL SCHEMATIC	1:1		
USER	Jaeschke				
APPR'D					
MP UC RD ED ULM		60021	sheet1		
2	12086			04.02.2004	jae
1	10215			08.12.2003	jae
VERS.	CHANGE NUMBER	DATE	NAME	(Created by BOM number: A5B00900137790-12086)	

Proprietary data, company confidential.
All rights reserved

Als Betriebsgeheimnis anvertraut
Alle Rechte vorbehalten

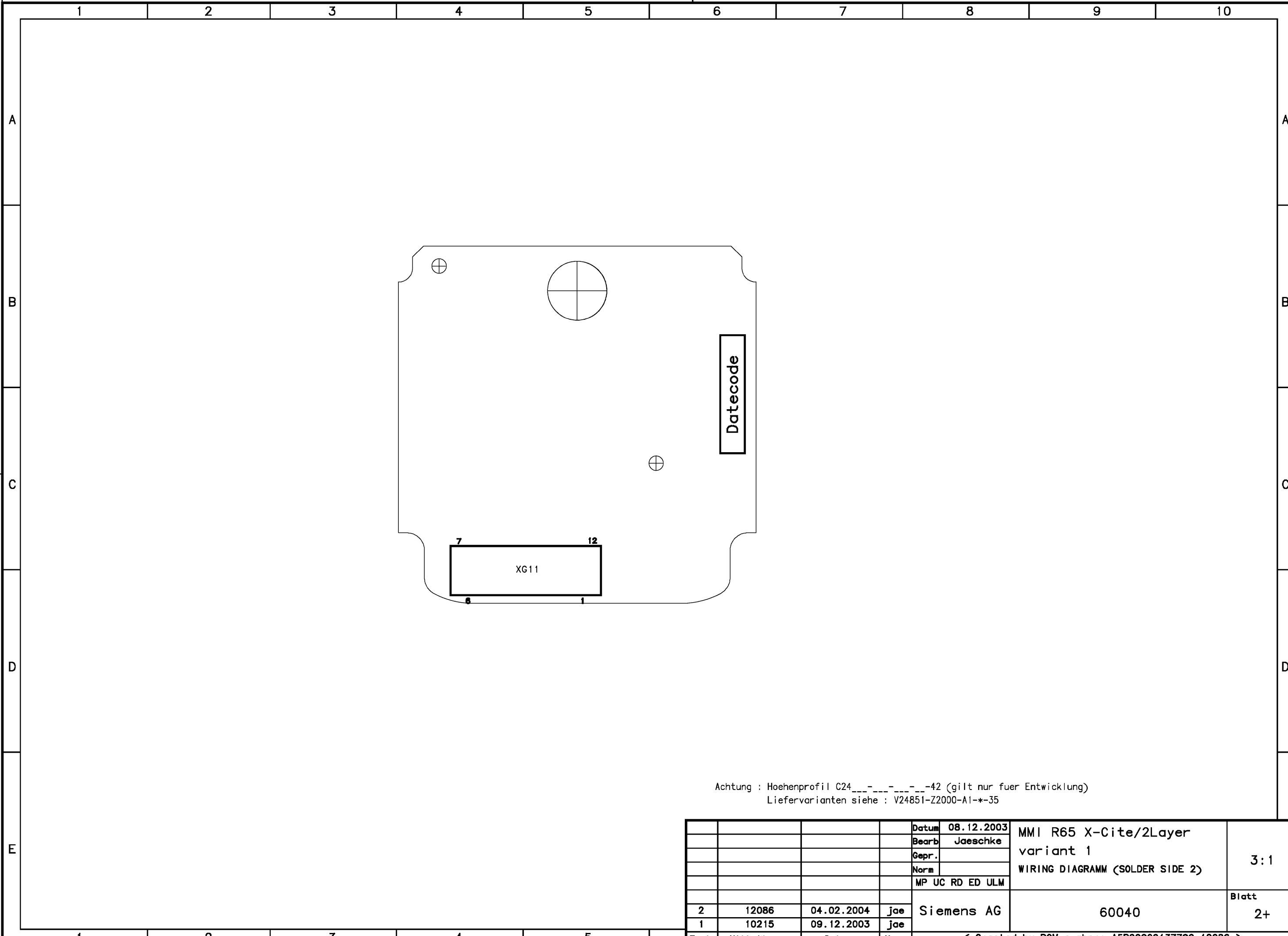
1	2	3	4	5	
C11 /sheet1 8 D C12 /sheet1 9 D R11 /sheet1 6 A R12 /sheet1 7 B R13 /sheet1 7 B R14 /sheet1 8 B R15 /sheet1 9 B R16 /sheet1 9 B TP10 /sheet1 6 B TP12 /sheet1 7 B TP13 /sheet1 8 B TP14 /sheet1 9 B TP15 /sheet1 9 B TP11 /sheet1 7 B V11 /sheet1 6 B V12 /sheet1 7 B V13 /sheet1 7 B V14 /sheet1 8 B V15 /sheet1 9 B V16 /sheet1 9 B					A
					B
					C
					D
					E

				DATE	08.12.2003	MMI R65 X-Cite/2Layer variant 1 TOP HIERARCHY LEVEL SCHEMATIC	1:1
				USER	Jaeschke		
				APPR'D			
				MP UC RD ED ULM			
2	12086	04.02.2004	jae	Siemens AG	60021	poslist1	
1	10215	08.12.2003	jae				
VERS.	CHANGE NUMBER	DATE	NAME	(Created by BOM number: A5B00900137790-12086)			

PROPRIETARY DATA, COMPANY CONFIDENTIAL
ALL RIGHTS RESERVED

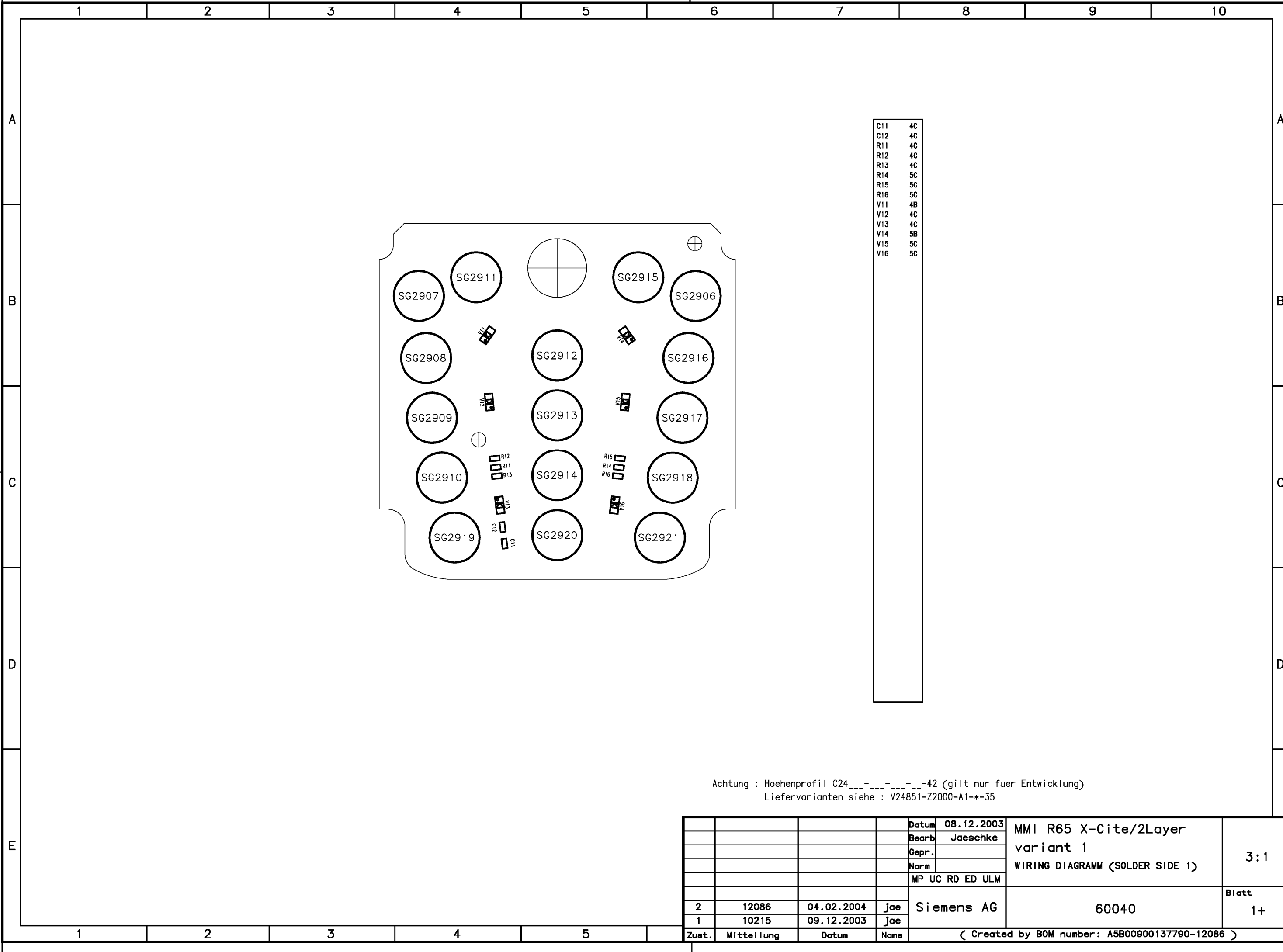
ALS BETRIEBSGHEIMNIS ANVERTRAUT
ALLE RECHTE VORBEHALTEN

SAP-Ident: 60040 / BOM / 000 / 02 Created/Changed: JÄESCHKE_K, 2004-02-04



Achtung : Höhenprofil C24_---_---_---_42 (gilt nur fuer Entwicklung)
Liefervarianten siehe : V24851-Z2000-A1-*-35

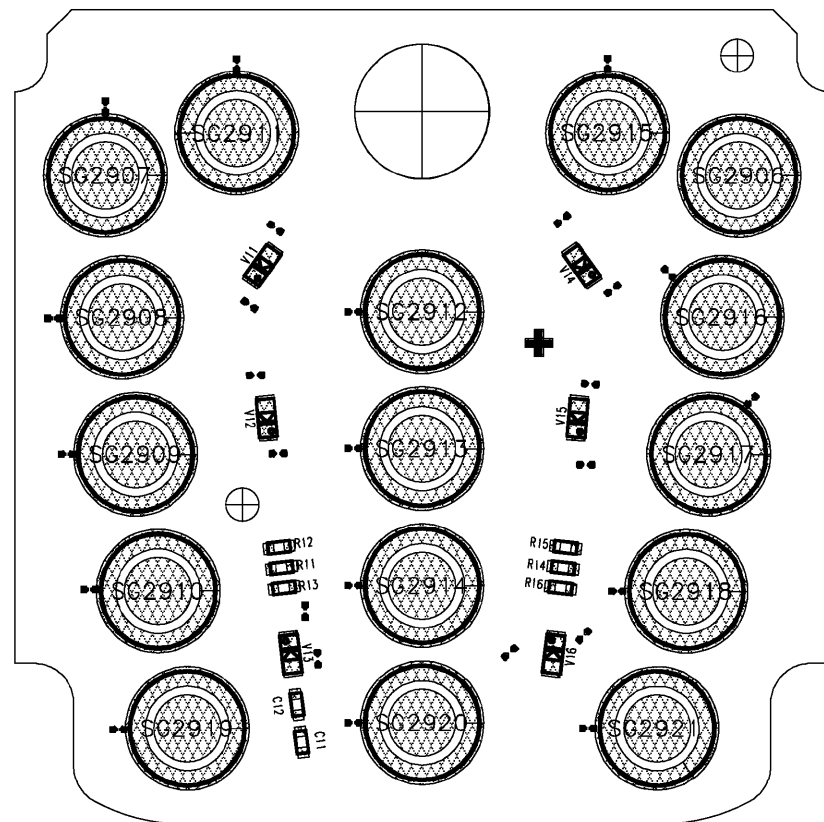
				Datum	08.12.2003	MMI R65 X-Cite/2Layer variant 1 WIRING DIAGRAMM (SOLDER SIDE 2)	3:1
				Bearb	Jaeschke		
				Gepr.			
				Norm			
					MP UC RD ED ULM		
2	12086	04.02.2004	joe	Siemens AG		60040	Blatt 2+
1	10215	09.12.2003	joe				
Zust.	Mitteilung	Datum	Name	(< Created by BOM number: A5B00900137790-12086 >)			



Achtung : Höhenprofil C24_---_---_---_42 (gilt nur fuer Entwicklung)
Liefervarianten siehe : V24851-Z2000-A1-*-35

				Datum	08.12.2003	MMI R65 X-Cite/2Layer variant 1 WIRING DIAGRAM (SOLDER SIDE 1)	3:1
				Bearb	Jaeschke		
				Gepf.			
				Norm			
				MP UC RD ED ULM			
2	12086	04.02.2004	joe	Siemens AG			Blatt 1+
1	10215	09.12.2003	joe	60040			
Zust.	Mitteilung	Datum	Name	(< Created by BOM number: A5B00900137790-12086 >)			

C11	4C
C12	4C
R11	4C
R12	4C
R13	4C
R14	5C
R15	5C
R16	5C
V11	4B
V12	4C
V13	4C
V14	5B
V15	5C
V16	5C



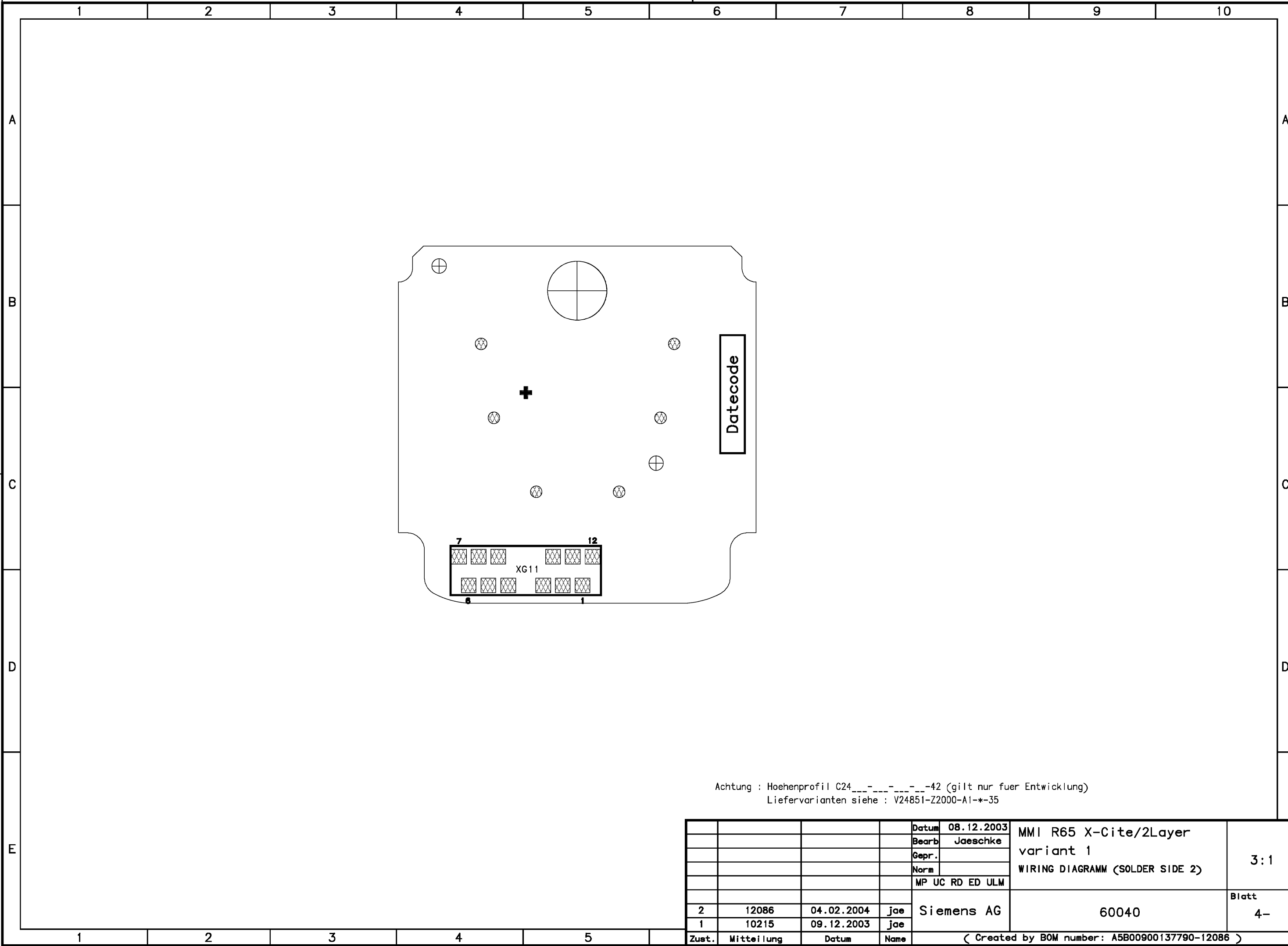
Achtung : Höhenprofil C24_---_---_---_42 (gilt nur fuer Entwicklung)
Liefervarianten siehe : V24851-Z2000-A1-*-35

				Datum	08.12.2003	MMI R65 X-Cite/2Layer variant 1 WIRING DIAGRAMM (SOLDER SIDE 1)	3:1
				Bearb	Jaeschke		
				Gep.			
				Norm			
				MP UC RD ED ULM			
2	12086	04.02.2004	joe	Siemens AG		60040	Blatt 3+
1	10215	09.12.2003	joe				
Zust.	Mitteilung	Datum	Name	(< Created by BOM number: A5B00900137790-12086 >)			

PROPRIETARY DATA, COMPANY CONFIDENTIAL
ALL RIGHTS RESERVED

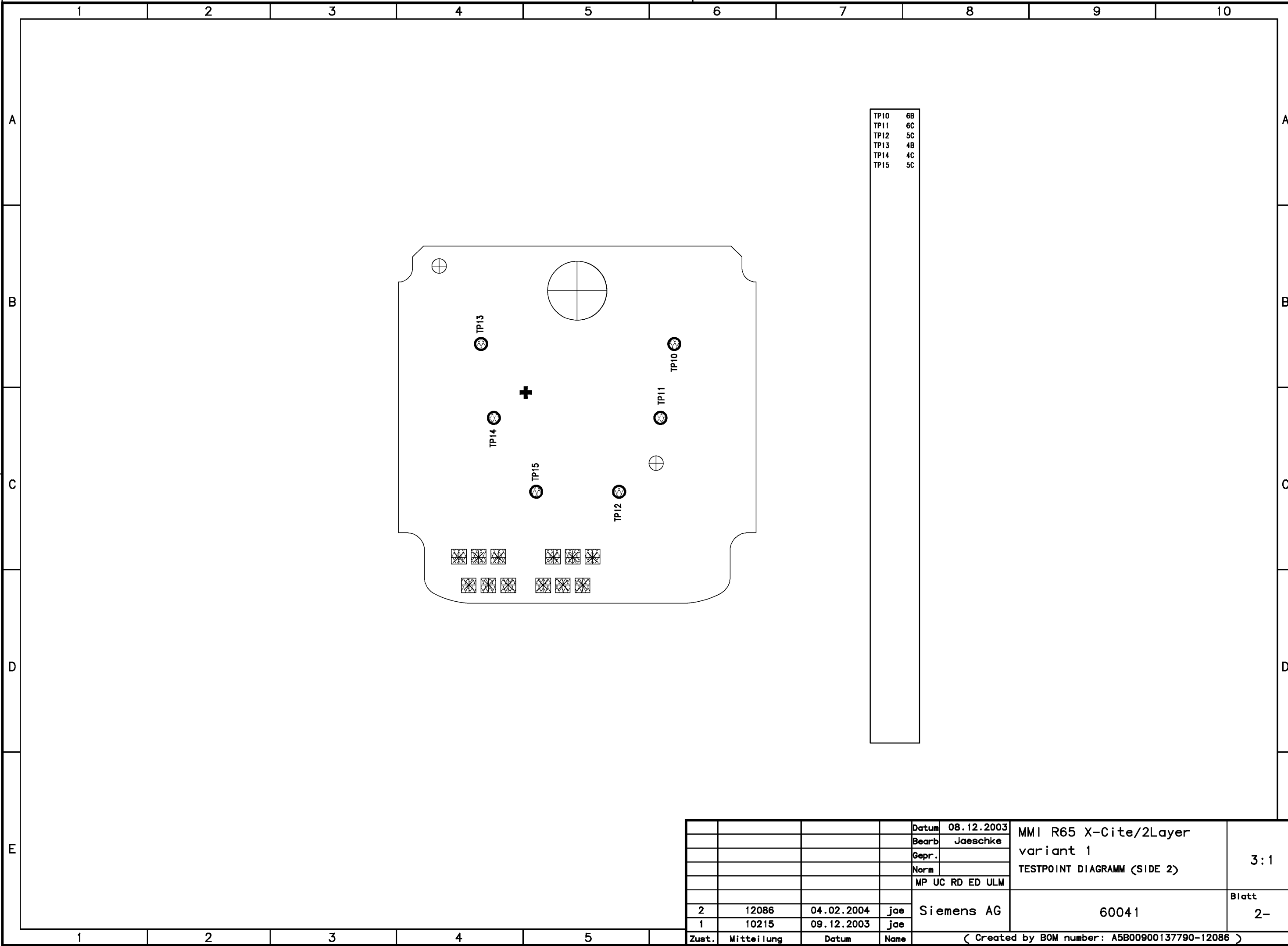
ALS BETRIEBSGHEIMNIS ANVERTRAUT
ALLE RECHTE VORBEHALTEN

SAP-Ident: 60040 / BOM / 000 / 02 Created/Changed: JÄESCHKE_K, 2004-02-04



Achtung : Höhenprofil C24_---_---_---_42 (gilt nur fuer Entwicklung)
Liefervarianten siehe : V24851-Z2000-A1-*-35

				Datum	08.12.2003	MMI R65 X-Cite/2Layer variant 1 WIRING DIAGRAM (SOLDER SIDE 2)	3:1
				Bearb	Jaeschke		
				Gepr.			
				Norm			
					MP UC RD ED ULM		
2	12086	04.02.2004	joe	Siemens AG		60040	Blatt 4-
1	10215	09.12.2003	joe				
Zust.	Mitteilung	Datum	Name	(< Created by BOM number: A5B00900137790-12086 >)			



TP10	6B
TP11	6C
TP12	5C
TP13	4B
TP14	4C
TP15	5C

				Datum	08.12.2003	MMI R65 X-Cite/2Layer variant 1 TESTPOINT DIAGRAMM (SIDE 2)	3:1
				Bearb	Jaeschke		
				Gepr.			
				Norm			
				MP UC RD ED ULM			
2	12086	04.02.2004	joe	Siemens AG		60041	Blatt 2-
1	10215	09.12.2003	joe				
Zust.	Mitteilung	Datum	Name	(< Created by BOM number: A5B00900137790-12086 >)			