

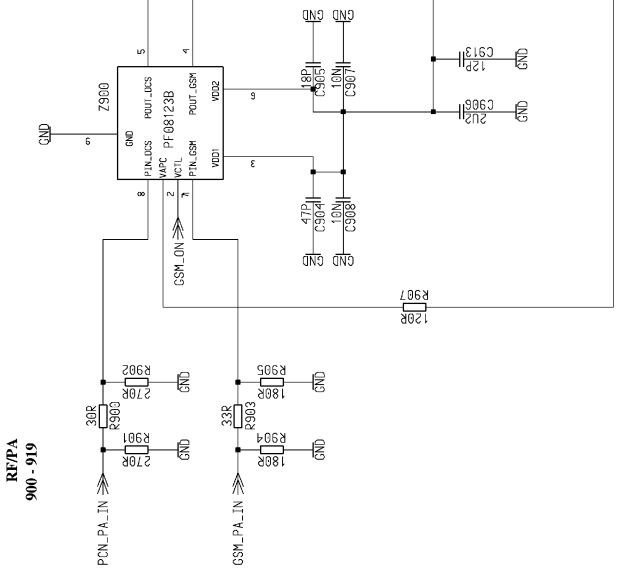
Confidential

Copyright © Siemens AG

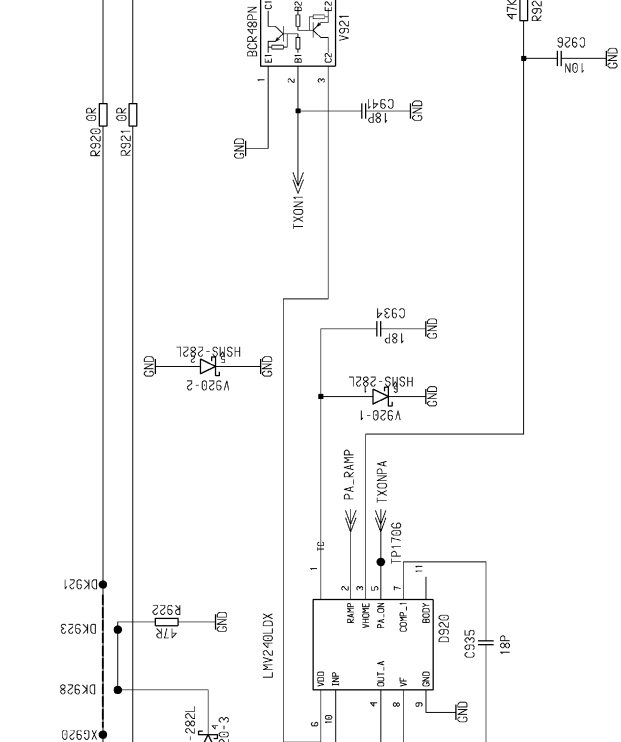
DATE: 05.03.2002		USER: S.M.LAFF		APP'D:	
4	782	03.07.2002	Stp	MP	R02 U/m*3
3	695	21.05.2002	NCL		
2	454	08.05.2002	NCL		
1	359	08.03.2002	Stp		
VER:	1	CHANGE NUMBER:	DATE:	NAME:	
NB = nicht bestueckelt NC = keine Sachnummer					
Board: L55T_HIT_B2+Ramp-up Dualband Blue LED CIRCUIT DIAGRAM					
					1:1
					SHEET 1+
					12153
					Siemens AG
(Created by BOM number: A500990101685-782)					

Alle Betriebsgeheimnisse anvertraut
 alle Rechte vorbehalten
 Proprietary data, Company confidential.
 all rights reserved

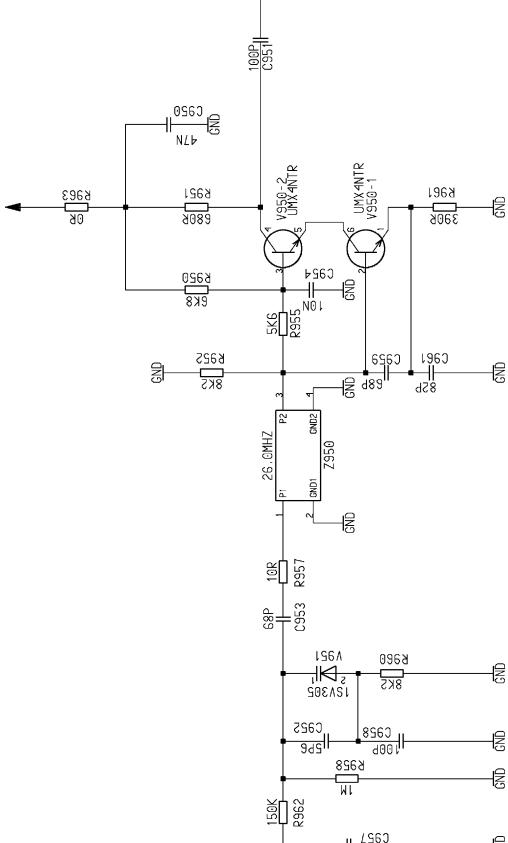
RF/PA
900 - 919



RF/Power_Control
920 - 949



RF/Crystal_Oscillator
950 - 999



Confidential
 Copyright © Siemens AG

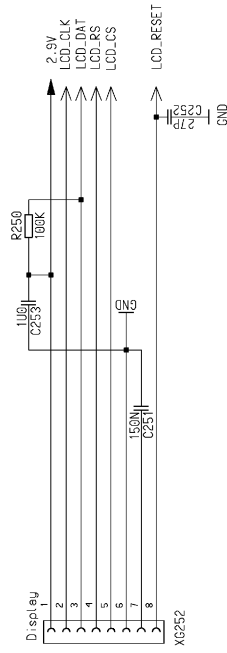
NP = nicht bestueckt
 NG = keine Sachnummer

DATE	USER	APP'D	DESCRIPTION
05.03.2002	SIELAFF		Board L55T HIT B2+Ramp-1up
			Dualband Blue LED
			CIRCUIT DIAGRAM
03.07.2002	Stp	MP	MP P02 U1m43
21.05.2002	Ncl		
09.05.2002	Ncl		
08.03.2002	Stp		

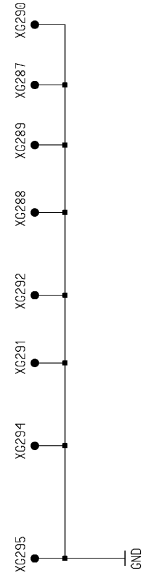
VERS.	CHANGE NUMBER	DATE	NAME
1	359		Siemens AG
2	494		
3	695		
4	782		

DISPLAY_INTERFACE

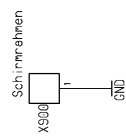
231 - 270



GND Contact



RF Shielding



Confidential
Copyright © Siemens AG

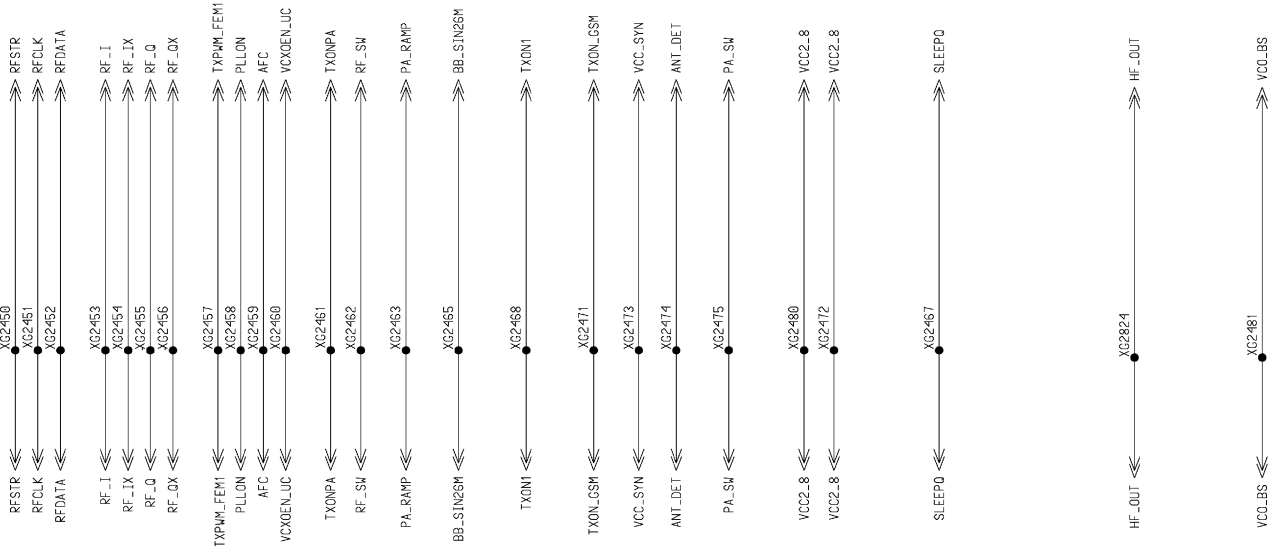
DATE	USER	APP'D	DESCRIPTION
05.03.2002 <td>SIELAFF <td></td> <td>Board L55T HIT B2+Ramp-up</td> </td>	SIELAFF <td></td> <td>Board L55T HIT B2+Ramp-up</td>		Board L55T HIT B2+Ramp-up
			Dualband Blue LED
			CIRCUIT DIAGRAM
03.07.2002	Sto	MP	MP P02 U/m*03
21.05.2002	Ncl		
09.05.2002	Ncl		
08.03.2002	Sto		

VERS	CHANGE NUMBER	DATE	NAME
4	782	03.07.2002	Sto
3	695	21.05.2002	Ncl
2	494	09.05.2002	Ncl
1	339	08.03.2002	Sto

12153	Siemens AG
12153	Siemens AG
12153	Siemens AG

INTERFACE LOGIK/HF

2450-2499



TRANCEIVER ENABLE SIGNAL
TRANCEIVER CLOCK SIGNAL
TRANCEIVER DATA SIGNAL

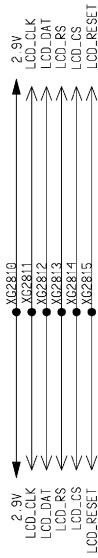
Bidirectional analogue RX/TX modulated signal

Power up Power amplifier

analogue power amplifier ramping signal

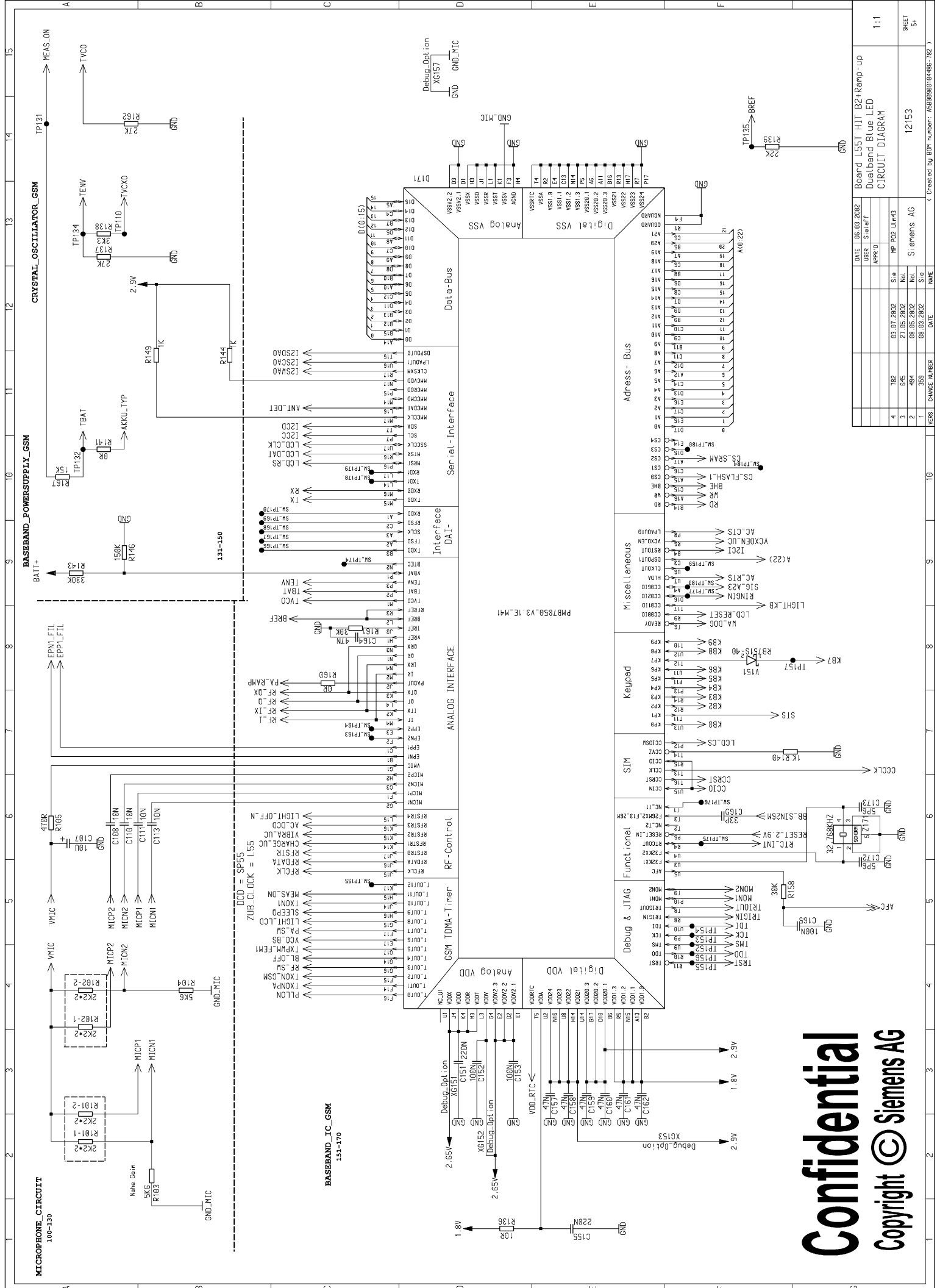
26 Mhz reference frequency

DETECTION internal/external Antenne



Confidential
Copyright © Siemens AG

DATE	US	03.2002	Board L55T HIT B2+Ramp-Up
USER	S	in	Dualband Blue LED
APP'D			CIRCUIT DIAGRAM
4	782	03.07.2002	Stp
3	695	27.05.2002	Ncl
2	494	09.05.2002	Ncl
1	359	08.03.2002	Stp
VERS	CHANGE NUMBER	DATE	NAME
			Siemens AG
			12153
			(Created by BOM number: 458099001034865-782)



Confidential
Copyright © Siemens AG

DATE	USER	APP'D	MP	Stip	NOI	Stip	NAME	DATE
05.03.2002	S. HILFF						Siemens AG	
03.07.2002			MP					
27.05.2002								
09.05.2002								
04.05.2002								
08.03.2002								

Board L55T HIT B2 Ramp-Up
 Dualband Blue LED
 CIRCUIT DIAGRAM
 1:1
 12153
 Siemens AG
 SHEET 5+
 (Created by BOM number: 45000900109485-782)

DATE	05.03.2002	Siemens AG	12153	1:1	SHEET 6*
USER	SIELAFF				
APP'D					
MP	R02 UlfW3				
DATE	03.07.2002	Siemens AG			
DATE	21.05.2002	Nol			
DATE	08.05.2002	Nol			
DATE	08.03.2002	Siemens AG			

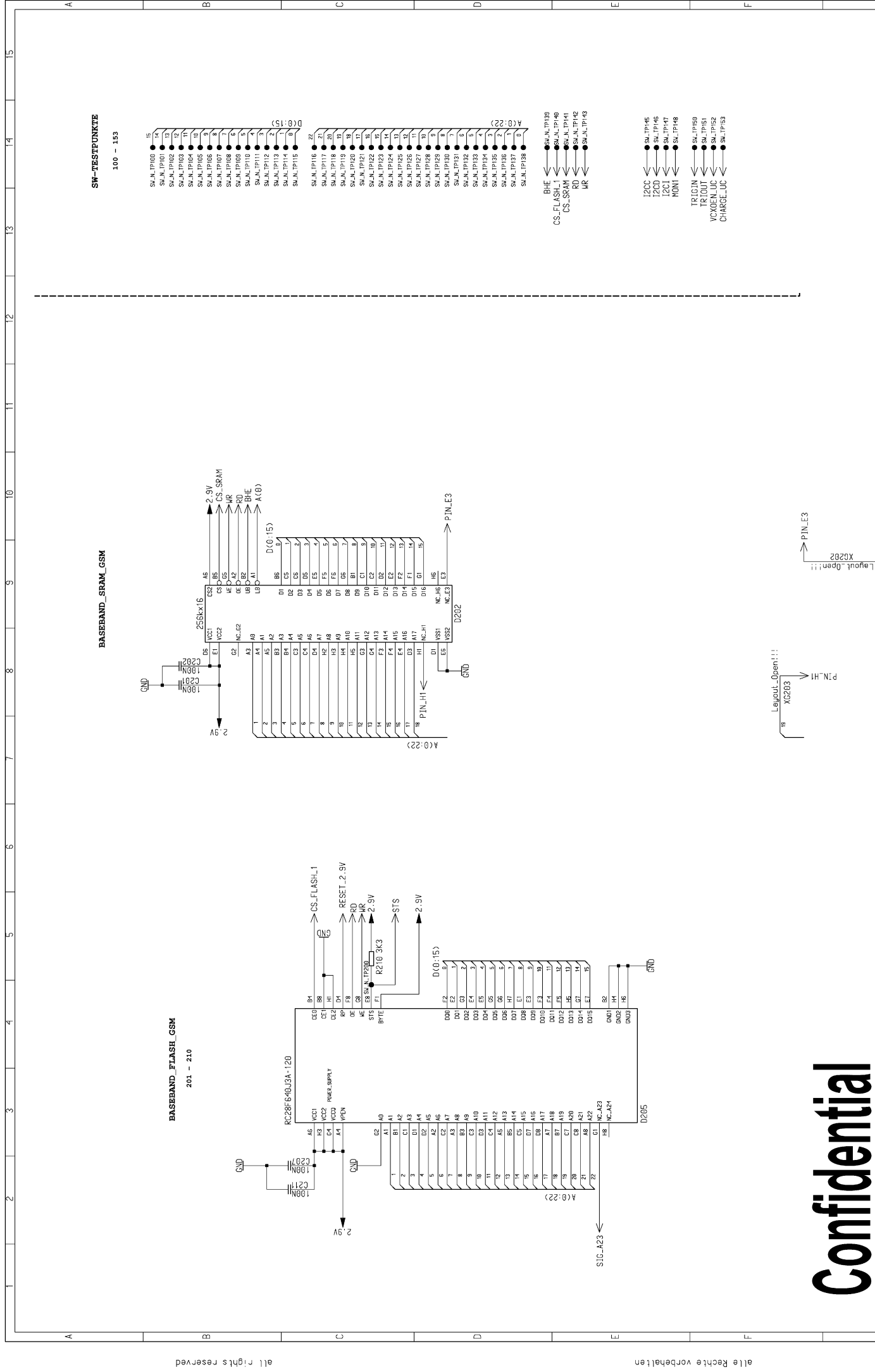
VERS.	CHANGE NUMBER	DATE	NAME
4	782	03.07.2002	Siemens AG
3	695	21.05.2002	Nol
2	494	08.05.2002	Nol
1	359	08.03.2002	Siemens AG

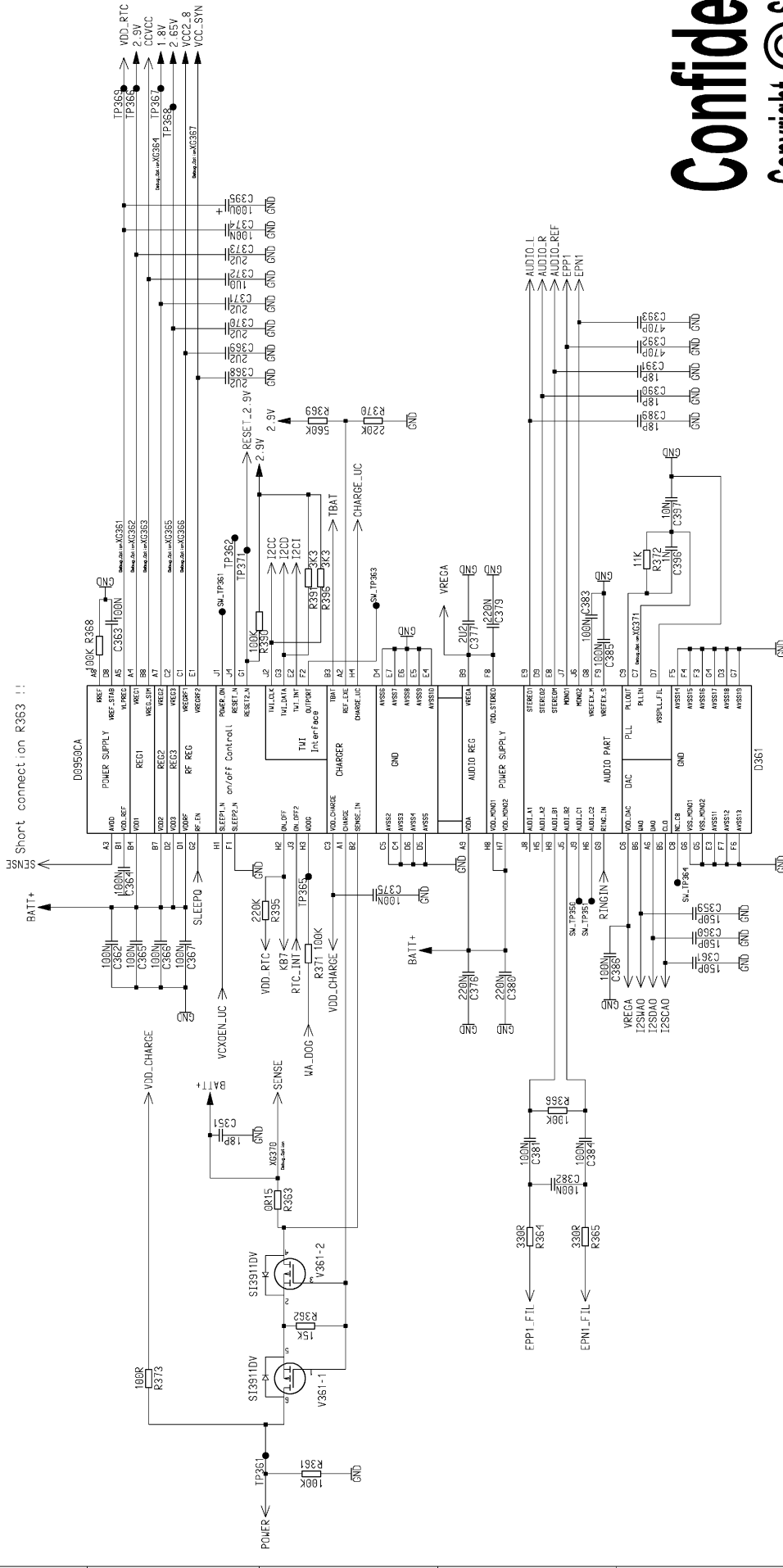
SAP-Ident: 12153 / BOM / 000 / 04 Created/Changed: SIELAFF, 2002-06-27

Alle Rechte vorbehalten

all rights reserved

Proprietary data, Company confidential.



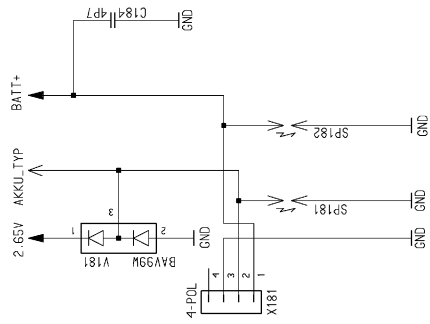


Short connection R363 !!

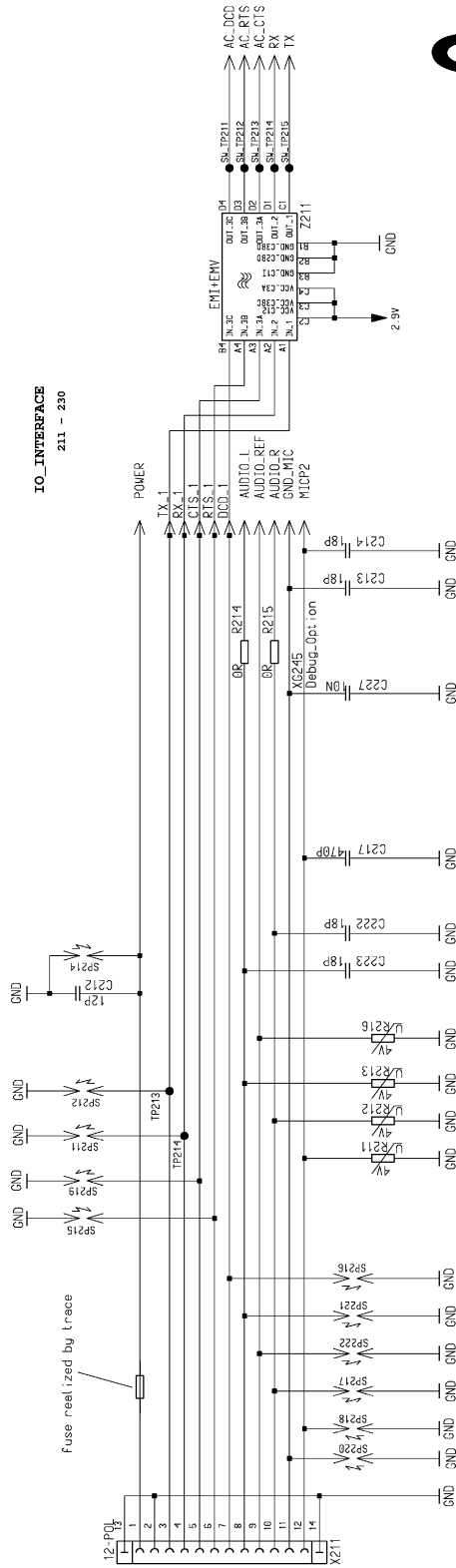
Confidential
Copyright © Siemens AG

DATE	05.03.2002	USER	S.HILAFF	APP'D	MP	DATE	03.07.2002	USER	S.HILAFF	APP'D	MP	DATE	03.07.2002	USER	S.HILAFF	APP'D	MP
Board L55T HIT B2+Ramp-up Dualband Blue LED CIRCUIT DIAGRAM																	
1:1																	
Siemens AG																	
12153																	
SHEET 7+																	
(Created by BOM number: 458099901019485-782)																	

BASEBAND_POWERSUPPLY_GSM
181-185



IO_INTERFACE
211 - 230



Confidential
Copyright © Siemens AG

DATE	USER	APP'D	DESCRIPTION
03.07.2002	Sto	MP	R02 U14r03
27.05.2002	Ncl		
08.05.2002	Ncl		
08.03.2002	Sto		

VERS.	CHANGE NUMBER	NAME
1	359	Sto
2	494	Ncl
3	595	Ncl
4	782	Sto

DATE	USER	APP'D	DESCRIPTION
05.03.2002	SIELAFF		Board L55T HIT B2+Ramp-up Dualband Blue LED CIRCUIT DIAGRAM

1:1

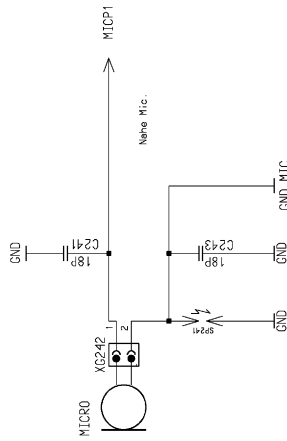
SHEET 8+

12153

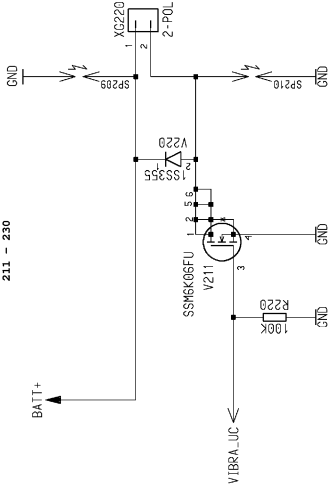
Siemens AG

(Created by BOM number: 458099001031865-782)

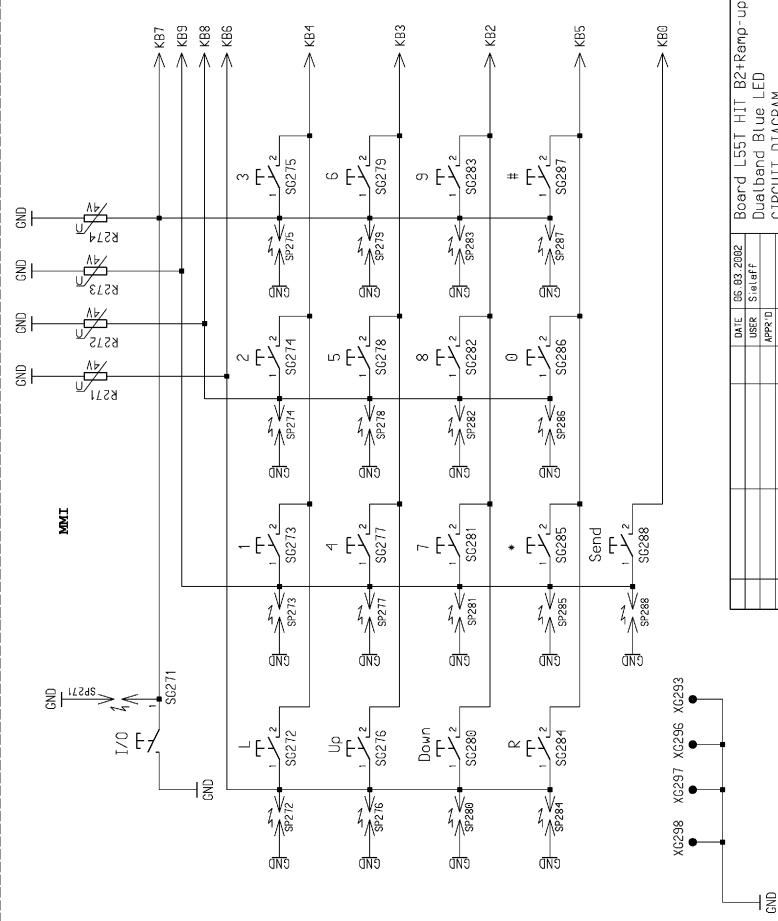
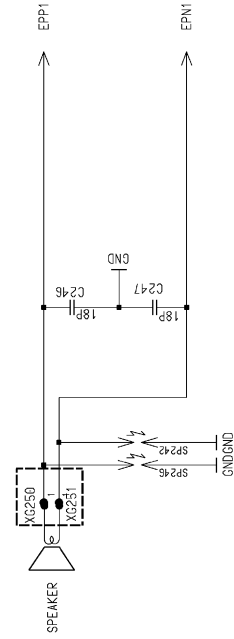
MICROPHONE_CIRCUIT
241-250



VIBRA_CIRCUIT
211 - 230



SPEAKER_CIRCUIT



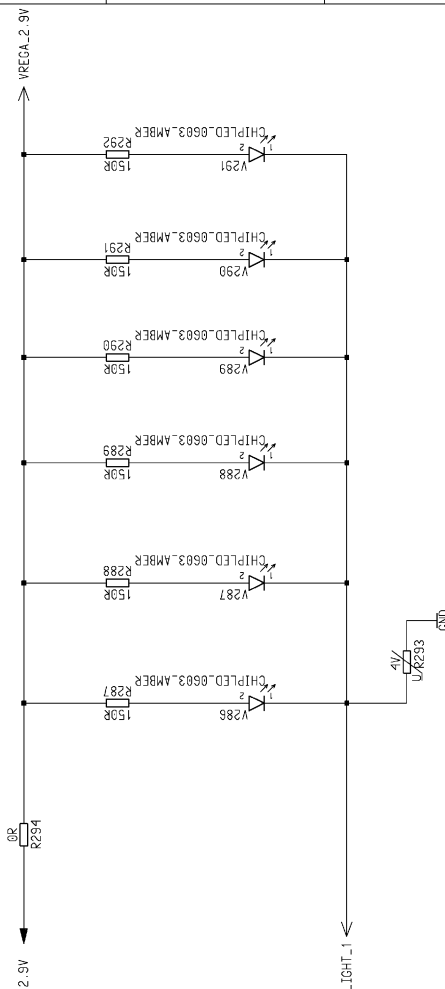
DATE	05.03.2002	USER	S. IELAFF	APP'D	MP	P02 ULM/03	Siemens AG	NAME
4	782	03.07.2002	Si					
3	595	21.05.2002	Ncl					
2	494	08.05.2002	Ncl					
1	359	08.03.2002	Si					

VERS. CHANGE NUMBER

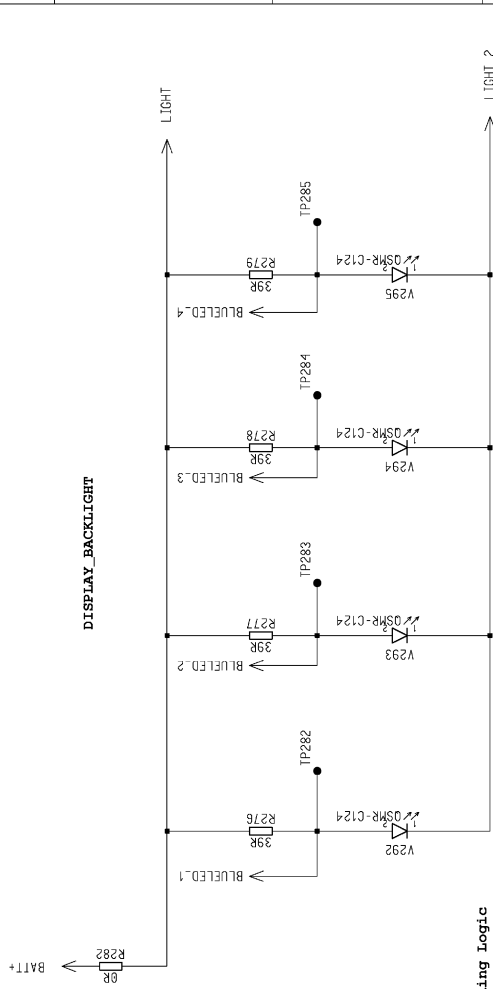
DATE	05.03.2002	USER	S. IELAFF	APP'D	MP	P02 ULM/03	Siemens AG	NAME
4	782	03.07.2002	Si					
3	595	21.05.2002	Ncl					
2	494	08.05.2002	Ncl					
1	359	08.03.2002	Si					

VERS. CHANGE NUMBER

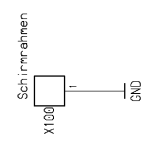
KEYPAD_BACKLIGHT



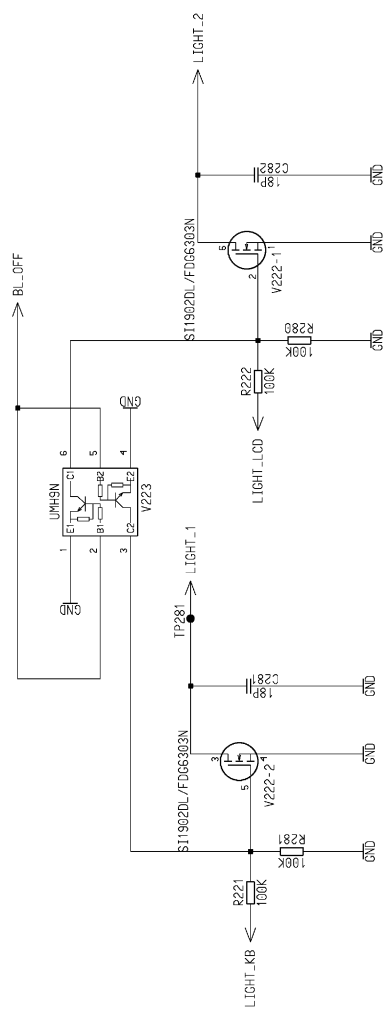
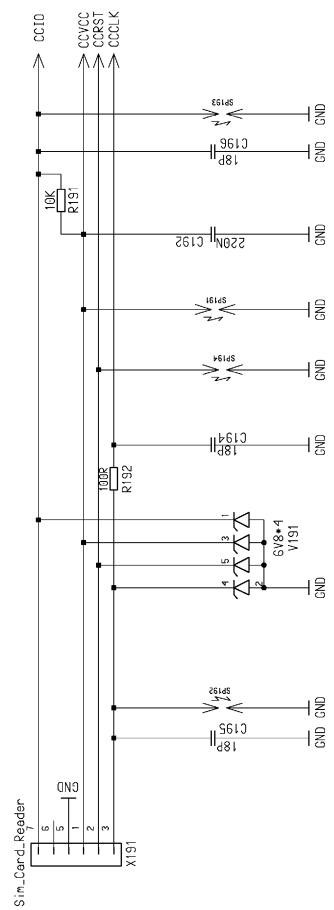
DISPLAY_BACKLIGHT



Shielding Logic



SIM_INTERFACE



DATE	USER	APP'D	NAME	DATE
05.03.2002	SIELAFF		Siemens AG	05.03.2002
03.07.2002	Sto	MP R02 U/m/03		03.07.2002
21.05.2002	Nol			21.05.2002
08.05.2002	Nol			08.05.2002
04.05.2002	Nol			04.05.2002
08.03.2002	Sto			08.03.2002

VERS.	CHANGE NUMBER	NAME
1	359	Sto
2	494	Nol
3	645	Nol
4	782	Sto

DATE	USER	APP'D	NAME	DATE
05.03.2002	SIELAFF		Siemens AG	05.03.2002

Board L55T HIT B2+Ramp-up
Dualband Blue LED
CIRCUIT DIAGRAM

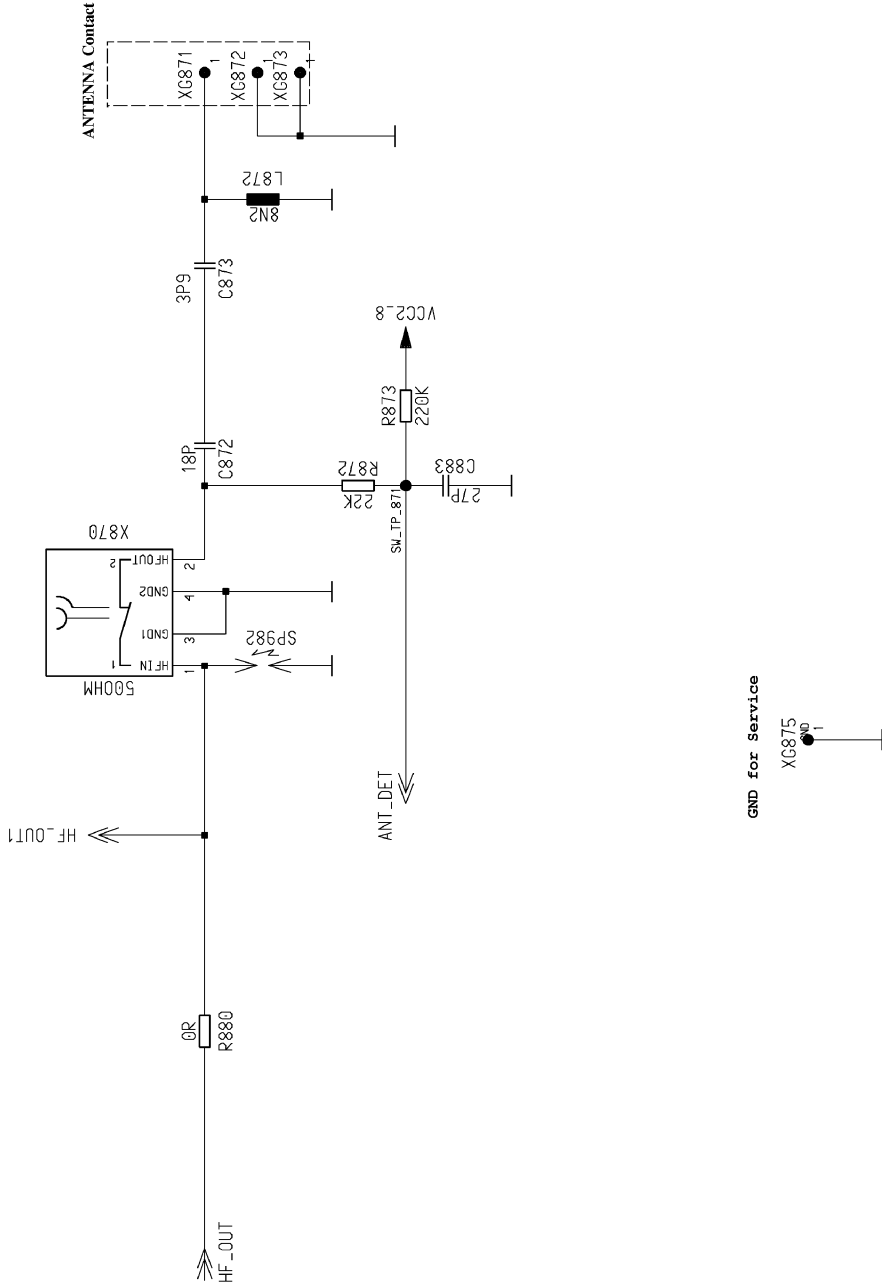
1:1

SHEET 10*

12153

(Created by BOM number: A5000900109485-782)

ANTENNA_CIRCUIT
870 - 884



Confidential
Copyright © Siemens AG

DATE	06.03.2002	Board L55T HIT B2+Ramp-up	1:1
USER	Sietaff	Dualband Blue LED	SHEET 11-
APPR'D		CIRCUIT DIAGRAM	
MP	MP P02 UH#3		
VERS.	CHANGE NUMBER	DATE	NAME
4	782	03.07.2002	Sie
3	645	27.05.2002	Nol
2	494	08.05.2002	Nol
1	359	08.03.2002	Sie
		12153	Siemens AG
			(Created by BOM number: A5B00900104486-782)